

Cartridge Valves Technical Information

Cavities

Quick reference

AVAILABLE CAVITIES

Cavity	Page
SDC08-2	19.3
SDC08-3	19.4
SDC08-4	19.5
SDC10-2	19.6
SDC10-3	19.7
SDC10-3S	19.8
SDC10-4	19.9
SDC12-2	19.10
SDC12-3	19.11
SDC16-2	19.12
SDC16-3	19.13
SDC16-3S	19.14
SDC20-2	19.15
SDC20-3	19.16
SDC20-4	19.17
CP04-2	19.18
CP04-3	19.19
CP08-3L	19.20
CP12-2	19.21
CP12-3	19.22
CP12-3M	19.23
CP12-3S	19.24
CP12-4	19.25
CP16-4	19.26
CP20-3S	19.27
NCS04/2	19.28
NCS04/3	19.29
NCS06/2	19.30
NCS06/3	19.31
NCS06/4	19.32
NCS12/2	19.33
NCS12/3	19.34
NCS12/4	19.35
VME06	19.36
VME07	19.37
VME08	19.38
FC-144	19.39
FC-304	19.40
FC-336	19.41
ISO D03	19.42
ISO D05	19.43

OVERVIEW

The following pages show details for Sauer-Danfoss standard valve cavities. These cavities are designed around SAE standard O-ring thread ports. In many cases these cavities are interchangeable with cavities used by other manufacturers. The table below is intended as a guide for cartridge valve interchanges.

Cavity crossover table

Sauer-Danfoss	Thread	Delta Power	Eaton-Vickers	HydraForce	Parker	Sterling	
CP04-2	7/16-20			NO	NO		
CP04-3				NO	NO		
CP07-3	5/8-18	YES		YES	YES		
SDC08-2	3/4-16	YES	YES	YES	YES	YES	
CP08-3		YES	YES	YES	YES	YES	
CP08-3L							
SDC08-4		YES	YES	YES	YES	YES	
SDC10-2	7/8-14	YES	YES	YES	YES	YES	
SDC10-3		YES	YES	YES	YES	YES	
SDC10-3S				YES	YES	YES	YES
SDC10-4		YES	YES	YES	YES	YES	YES
CP12-2	1 1/16-12	NO	NO	YES	NO		
SDC12-2		NO	NO	NO	NO		
CP12-3S		NO	NO	NO	NO		
CP12-3		NO	NO	YES	NO		
CP12-4		NO	NO	NO	NO		
SDC16-2	1 5/16-12		YES	YES	YES	YES	
SDC16-3S			YES	YES	YES	YES	
SDC16-3			YES	YES	YES	YES	
SDC16-4			YES	YES	YES	YES	
SDC20-2	1 5/8-12		YES		YES		
CP20-3S				NO			
SDC20-3				YES			
SDC20-4				YES			

Please note that most manufacturers have many non-standard cavities and that details are subject to change. Compare cavity details before interchanging cartridges.

The National Fluid Power Association (NFPA) and International Standards Organization (ISO) are developing a standard, NFPA T3.5.31M-19XX, that will define an industry-wide set of standard cavities. Sauer-Danfoss will manufacture cartridge valves for NFPA cavities upon formal approval of the standard.



Cartridge Valves Technical Information

Cavities

SDC08-2

Dimensions

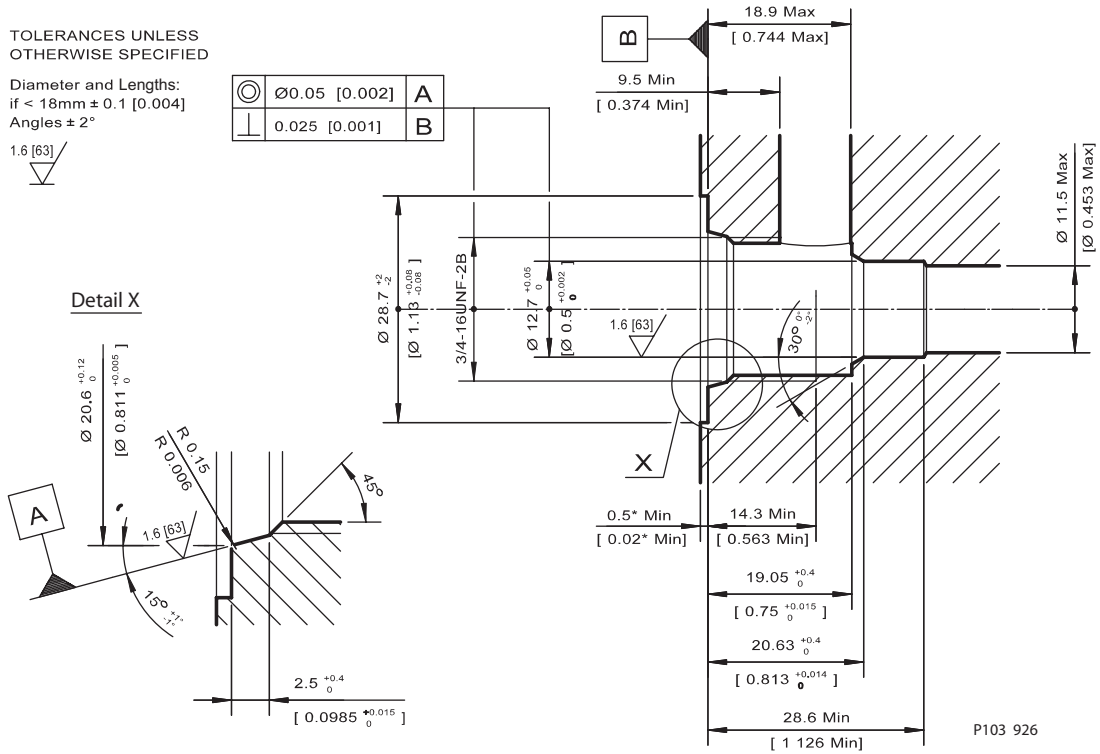
mm [in]

TOLERANCES UNLESS OTHERWISE SPECIFIED

Diameter and Lengths:
if < 18mm ± 0.1 [0.004]
Angles ± 2°

1.6 [63]

⊙	∅0.05 [0.002]	A
⊥	0.025 [0.001]	B



Form tools

	Model code	Material number
Finishing tool	SDC08-2-FT	11027180
Roughing tool	SDC08-2-RT	11027181

Housings

Order Code	Description	Ports	Page
CP08-2-4S	Aluminum Housing	SAE #4	20.66
CP08-2-6S	Aluminum Housing	SAE #6	20.66
CP08-2-6S-2CR	Aluminum Housing - Crossover	SAE #6	20.65
CP08-2-8S-2CR	Aluminum Housing - Crossover	SAE #8	20.65
CP08-2-8S-2PL	Aluminum Housing - Parallel	SAE #8	20.61
CP08-2-S4S	Steel Housing	SAE #4	20.66
SDC08-2-HG1-3B	Aluminum Housing, Two #2 Ports	3/8 BSP	20.62
SDC08-2-HG2-3B	Aluminum Housing, Two #1 Ports	3/8 BSP	20.63
SDC08-2-HG-2B	Aluminum Housing	1/4 BSP	20.64
SDC08-2-HG-3B	Aluminum Housing	3/8 BSP	20.64

Cavities SDC08-2



Cartridge Valves Technical Information

Cavities

SDC08-3

Dimensions

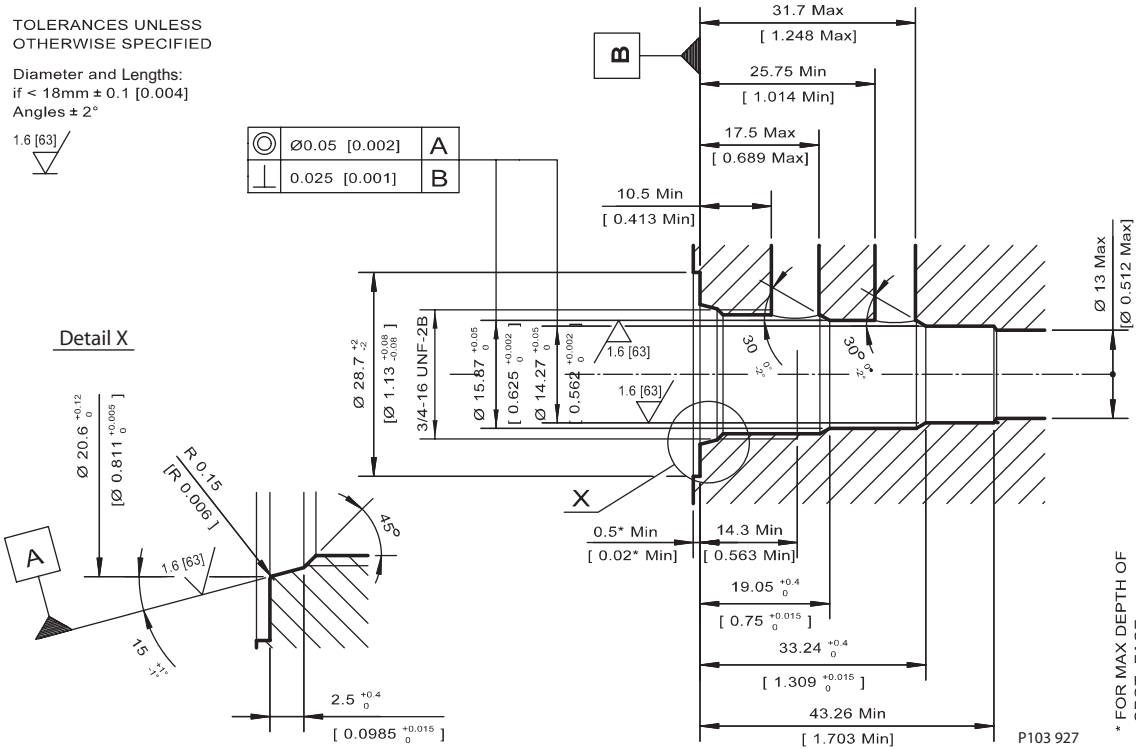
mm [in]

TOLERANCES UNLESS OTHERWISE SPECIFIED

Diameter and Lengths:
if < 18mm ± 0.1 [0.004]
Angles ± 2°



	∅0.05 [0.002]	A
	0.025 [0.001]	B



Cavities SDC08-3

Form tools

	Model code	Material number
Finishing tool	SDC08-3-FT	11027182
Roughing tool	SDC08-3-RT	11027183

Housings

Order Code	Description	Ports	Page
CP08-3-4S	Aluminum Housing	SAE #4	20.69
CP08-3-6S	Aluminum Housing	SAE #6	20.69
CP08-3-54S	Steel Housing	SAE #4	20.69
CP08-3-56S	Steel Housing	SAE #6	20.69
SDC08-3-HI-2B	Aluminum Housing, Two #1 Ports	1/4 BSP	20.67
SDC08-3-SE-2B	Aluminum Housing	1/4 BSP	20.68
SDC08-3-SE-3B	Aluminum Housing	3/8 BSP	20.68



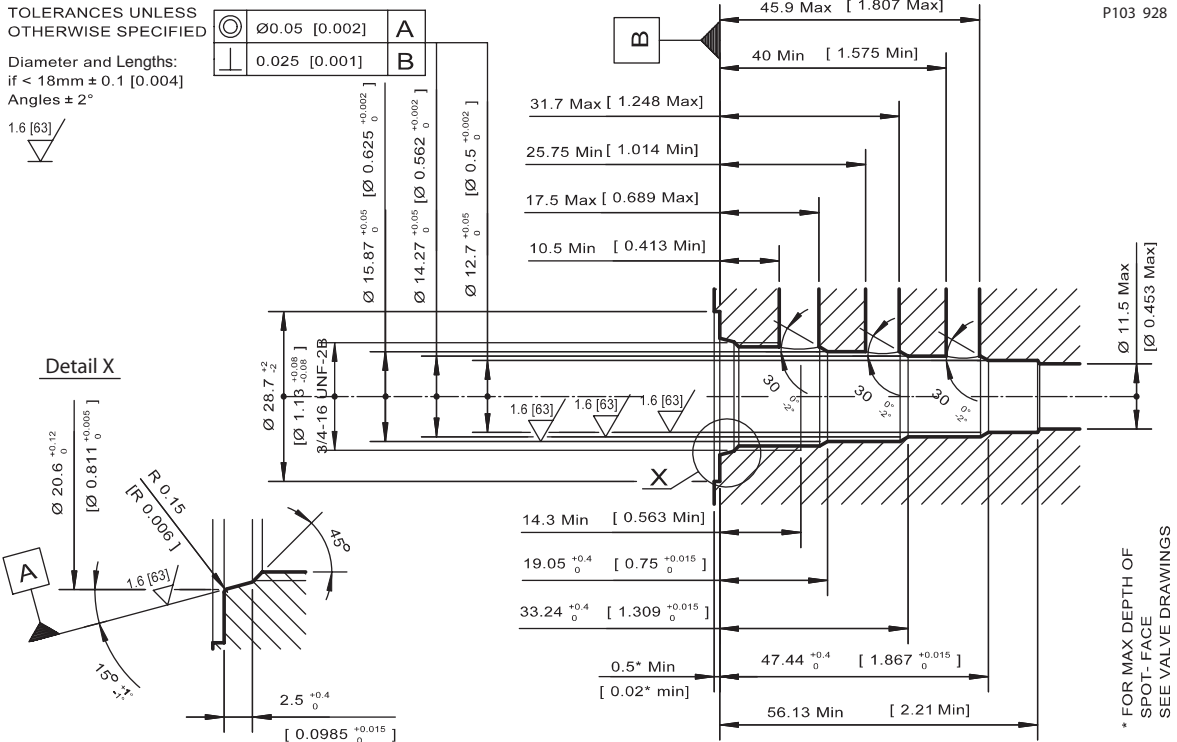
Cartridge Valves Technical Information

Cavities

SDC08-4

Dimensions

mm [in]



Form tools

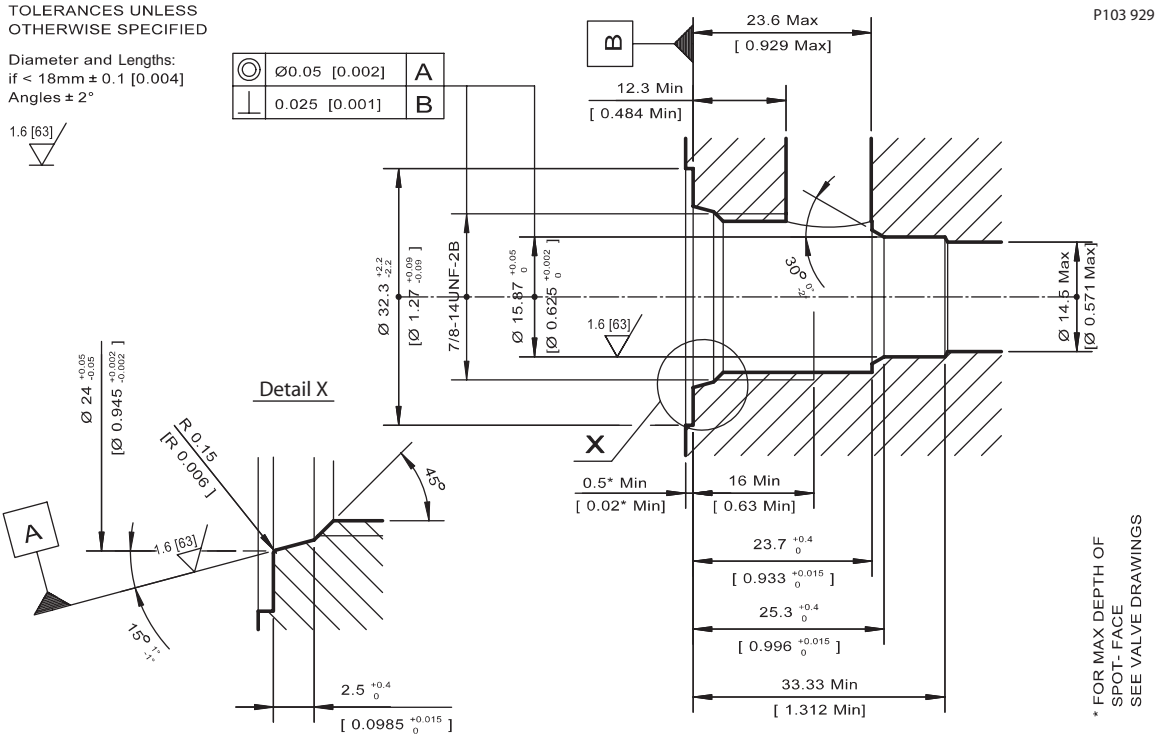
	Model code	Material number
Finishing tool	SDC08-4-FT	11027184
Roughing tool	SDC08-4-RT	11027185

Housings

Order Code	Description	Ports	Page
CP08-4-4S	Aluminum Housing	SAE #4	20.70
CP08-4-6S	Aluminum Housing	SAE #6	20.70
SDC08-4-L-2B	Aluminum Housing	1/4 BSP	20.71

Dimensions

mm [in]



Form tools

	Model code	Material number
Finishing tool	SDC10-2-FT	11027186
Roughing tool	SDC10-2-RT	11027187

Housings

Order Code	Description	Ports	Page
CP10-2-10S-2CR	Aluminum Housing	SAE #10	20.74
CP10-2-6S	Aluminum Housing	SAE #6	20.75
CP10-2-8S	Aluminum Housing	SAE #8	20.75
CP10-2-8S-2PL	Parallel housing	SAE #8	20.72
CP10-2-S6S	Steel Housing	SAE #6	20.75
CP10-2-S8S	Steel Housing	SAE #8	20.75
SDC10-2-DG-3B	Aluminum Housing	3/8 BSP	20.77
SDC10-2-DG-4B	Aluminum Housing	1/2 BSP	20.73
SDC10-2-LG1-4B	Aluminum Housing, Two #2 Ports	1/2 BSP	20.76
SDC10-2-LG2-4B	Aluminum Housing, Two #1 Ports	1/2 BSP	20.78



Cartridge Valves Technical Information

Cavities

SDC10-3

Dimensions

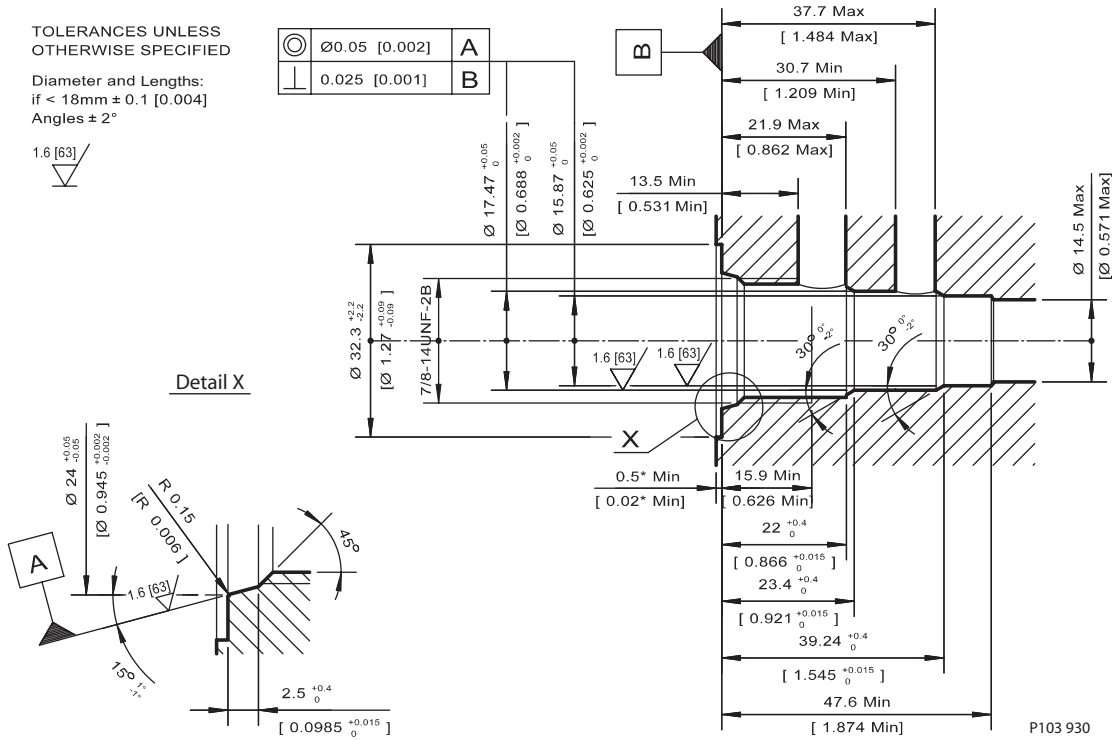
mm [in]

TOLERANCES UNLESS OTHERWISE SPECIFIED

Diameter and Lengths:
if < 18mm ± 0.1 [0.004]
Angles ± 2°



	Ø 0.05 [0.002]	A
	0.025 [0.001]	B



Form tools

	Model code	Material number
Finishing tool	SDC10-3-FT	
Roughing tool	SDC10-3-RT	11027119

Housings

Order Code	Description	Ports	Page
CP10-3-6S	Aluminum Housing	SAE #6	20.79
CP10-3-8S	Aluminum Housing	SAE #8	20.79
CP10-3-S6S	Steel Housing	SAE #6	20.79
CP10-3-S8S	Steel Housing	SAE #8	20.79
SDC10-3-SE-3B	Aluminum Housing	3/8 BSP	20.83
SDC10-3-SE-4B	Aluminum Housing	1/2 BSP	20.82
SDC10-3-SI-3B	Aluminum Housing, Two #1 Ports	3/8 BSP	20.80
SDC10-3-SI-4B	Aluminum Housing, Two #1 Ports	1/2 BSP	20.81



Cartridge Valves Technical Information

Cavities

SDC10-3S

Dimensions

mm [in]

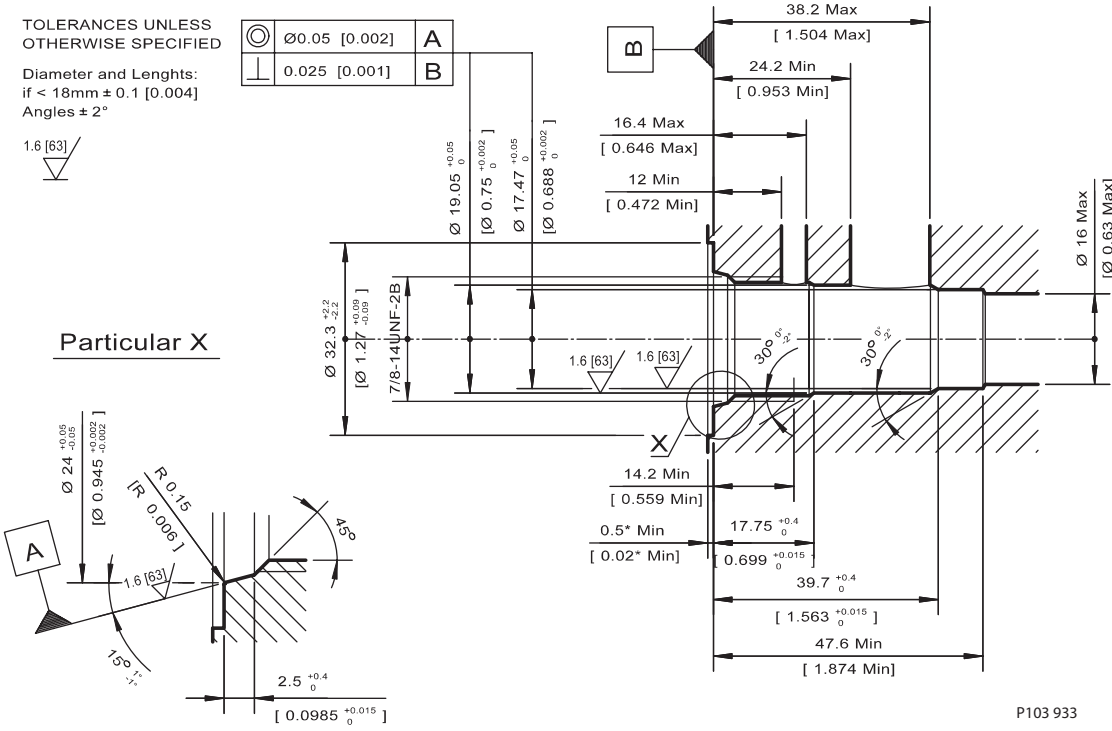
TOLERANCES UNLESS OTHERWISE SPECIFIED

	Ø0.05 [0.002]	A
	0.025 [0.001]	B

Diameter and Lengths:
if < 18mm ± 0.1 [0.004]
Angles ± 2°



Particular X



P103 933

* FOR MAX DEPTH OF SPOT-FACE SEE VALVE DRAWINGS

Form tools

	Model code	Material number
Finishing tool	SDC10-3S-FT	11027120
Roughing tool	SDC10-3S-RT	11027121

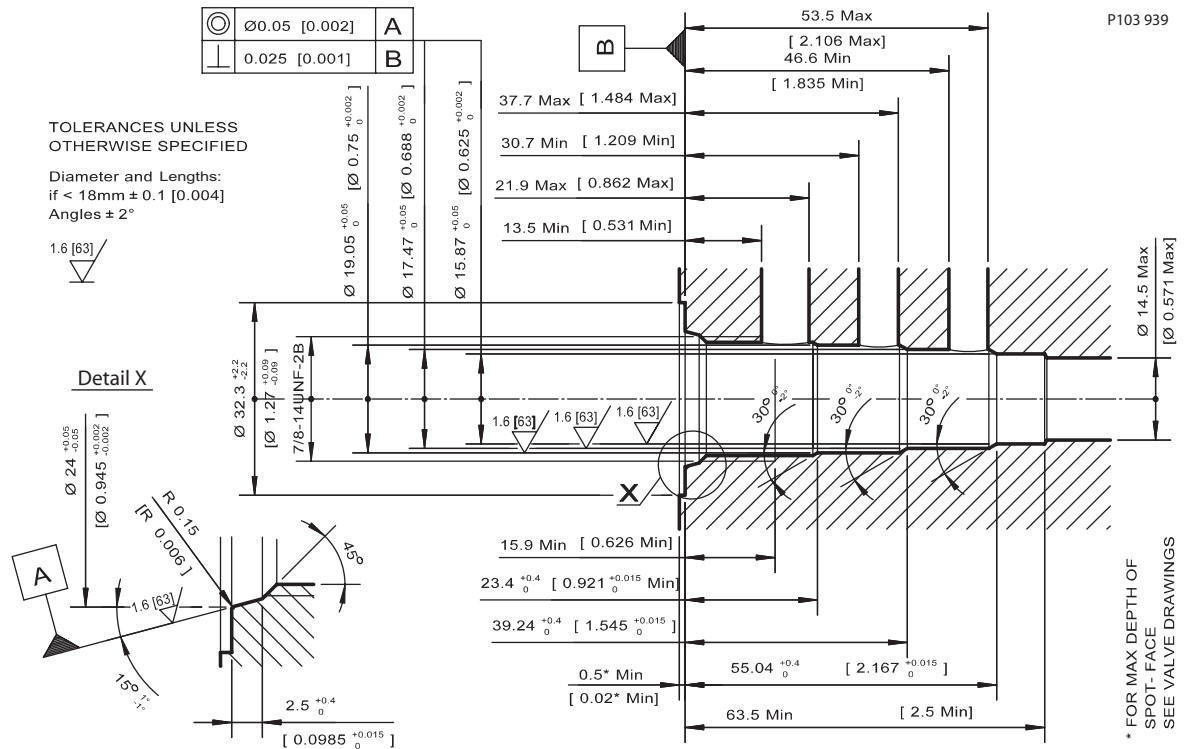
Housings

Order Code	Description	Ports	Page
SDC10-3S-10S/6S	Aluminum Housing, Pilot at Port #3	SAE #10	20.85
SDC10-3S-8S/6S	Aluminum Housing, Pilot at Port #3	SAE #8	20.85
SDC10-3S-SE-3B	Aluminum Housing	3/8 BSP	20.84
SDC10-3S-SE-4B	Aluminum Housing	1/2 BSP	20.84
SDC10-3S-6S/6S	Aluminum housing, pilot at port #3	SAE #6	20.85

Cavities SDC10-3S

Dimensions

mm [in]



Form tools

	Model code	Material number
Finishing tool	SDC10-4-FT	11027192
Roughing tool	SDC10-4-RT	11027193

Housings

Order Code	Description	Ports	Page
CP10-4-6S	Aluminum Housing	SAE #6	20.86
CP10-4-6S-X1	Aluminum Housing, No Port #1	SAE #6	20.86
CP10-4-8S	Aluminum Housing	SAE #8	20.86
CP10-4-8S-X1	Aluminum Housing, No Port #1	SAE #8	20.86
CP10-4-S6S	Steel Housing	SAE #6	20.86
CP10-4-S8S	Steel Housing	SAE #8	20.86
SDC10-4-HD-3B	Aluminum Housing, No Port #1	3/8 BSP	20.87
SDC10-4-L-3B	Aluminum Housing	3/8 BSP	20.88
SDC10-4-L-4B	Aluminum Housing	1/2 BSP	20.89

Cavities
SDC10-4



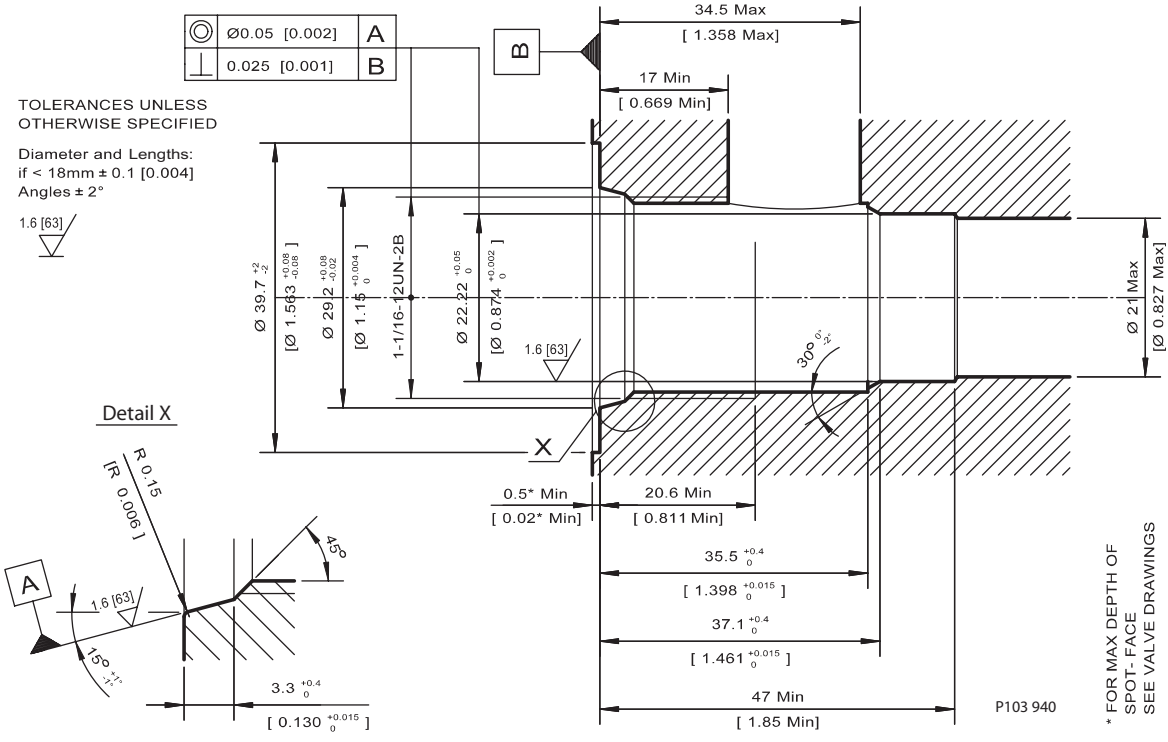
Cartridge Valves Technical Information

Cavities

SDC12-2

Dimensions

mm [in]



Caution
SDC12-2 and CP12-2 cavities are not interchangeable. Differences in sealing area depth may lead to leakage if the wrong valve is used with this cavity. Use only the specified cavity for each valve.

Form tools

	Model code	Material number
Finishing tool	SDC12-2-FT	11027194
Roughing tool	SDC12-2-RT	11027195

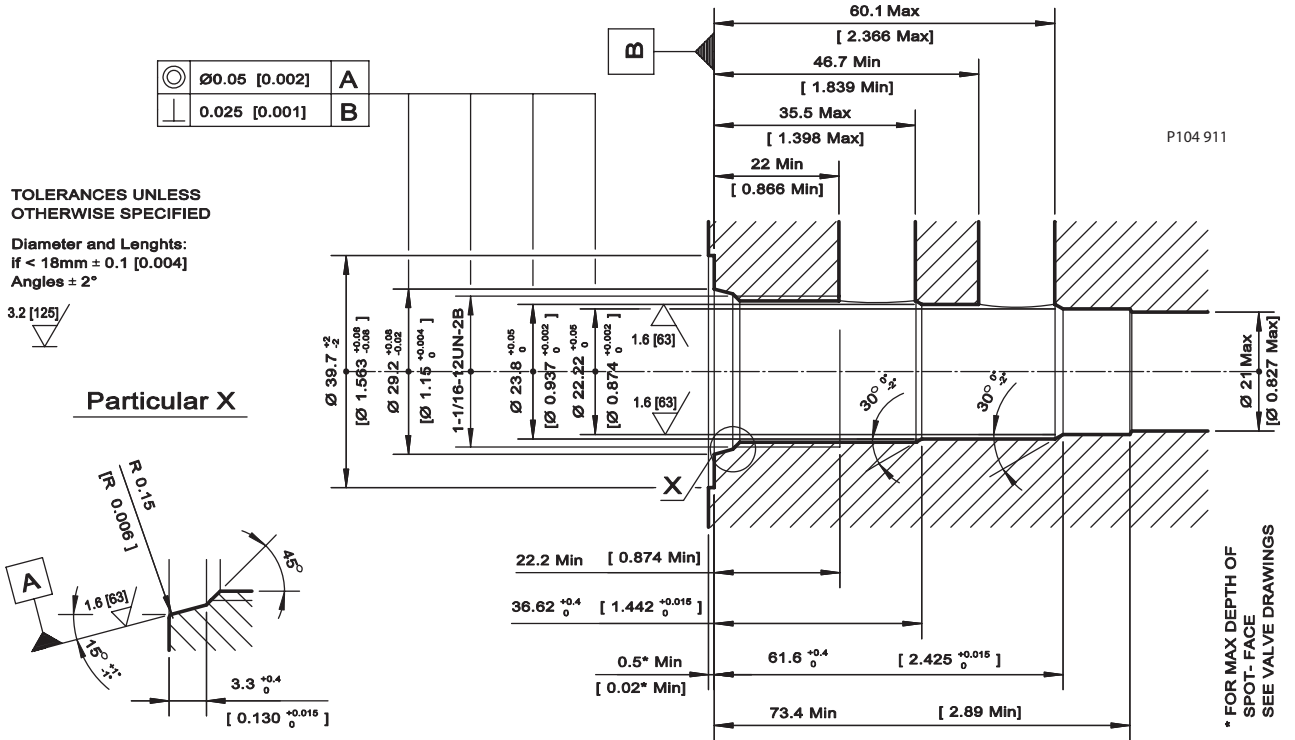
Housings

Order Code	Description	Ports	Page
SDC12-2-DG-4B	Aluminum Housing	1/2 BSP	20.94
SDC12-2-DG-6B	Aluminum Housing	3/4 BSP	20.90
SDC12-2-LG1-6B	Aluminum Housing, Two #2 Ports	3/4 BSP	20.93
SDC12-2-LG2-6B	Aluminum Housing, Two #1 Ports	3/4 BSP	20.92
SDC12-2-10S	Aluminum housing	#10 SAE	20.91
SDC12-2-12S	Aluminum housing	#12 SAE	20.91

Cavities SDC12-2

Dimensions

mm [in]



Form tools

Roughing tool	Consult Factory
Finishing tool	Consult Factory



Cartridge Valves Technical Information

Cavities

SDC16-2

Dimensions

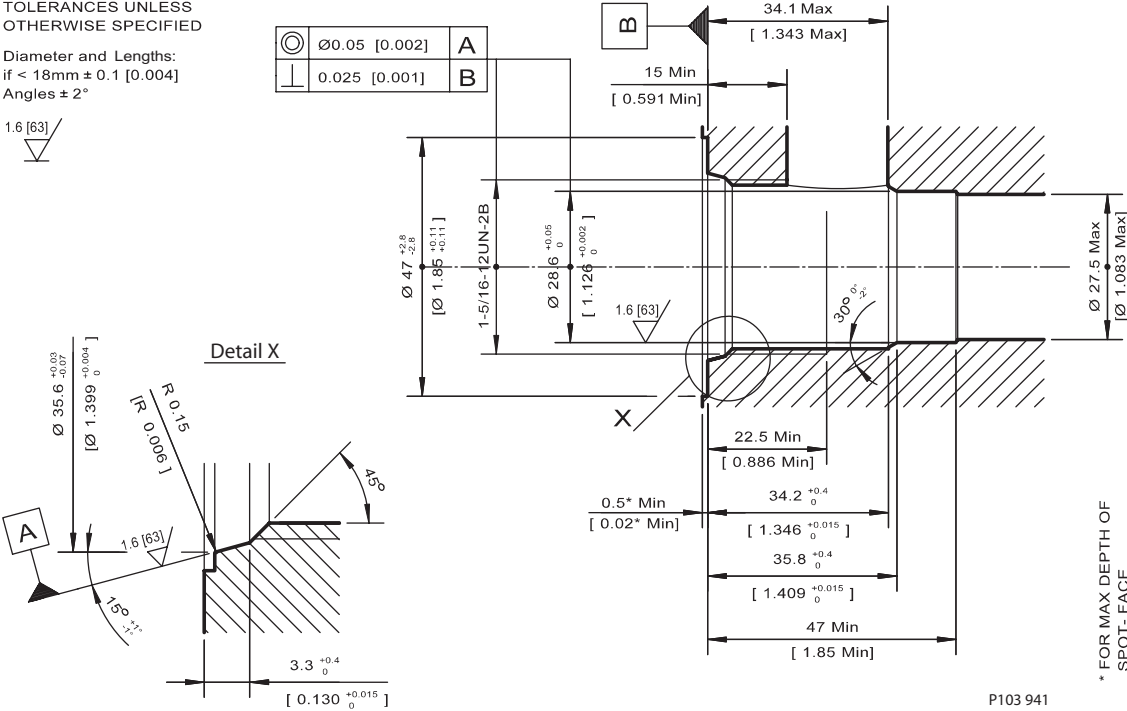
mm [in]

TOLERANCES UNLESS OTHERWISE SPECIFIED

Diameter and Lengths:
if < 18mm ± 0.1 [0.004]
Angles ± 2°



⊙	∅0.05 [0.002]	A
⊥	0.025 [0.001]	B



* FOR MAX DEPTH OF SPOT-FACE SEE VALVE DRAWINGS

P103 941

Cavities SDC16-2

Form tools

	Model code	Material number
Finishing tool	SDC16-2-FT	11027196
Roughing tool	SDC16-2-RT	11027197

Housings

Order Code	Description	Ports	Page
CP16-2-12S	Aluminum Housing	SAE #12	20.96
CP16-2-16S	Aluminum Housing	SAE #16	20.96
CP16-2-S16S	Steel Housing	SAE #16	20.96
SDC16-2-HG1-8B	Aluminum Housing, Two #2 Ports	1 BSP	20.95
SDC16-2-HG2-8B	Aluminum Housing, Two #1 Ports	1 BSP	20.99
SDC16-2-HG-6B	Aluminum Housing	3/4 BSP	20.98
SDC16-2-HG-8B	Aluminum Housing	1 BSP	20.97

Dimensions

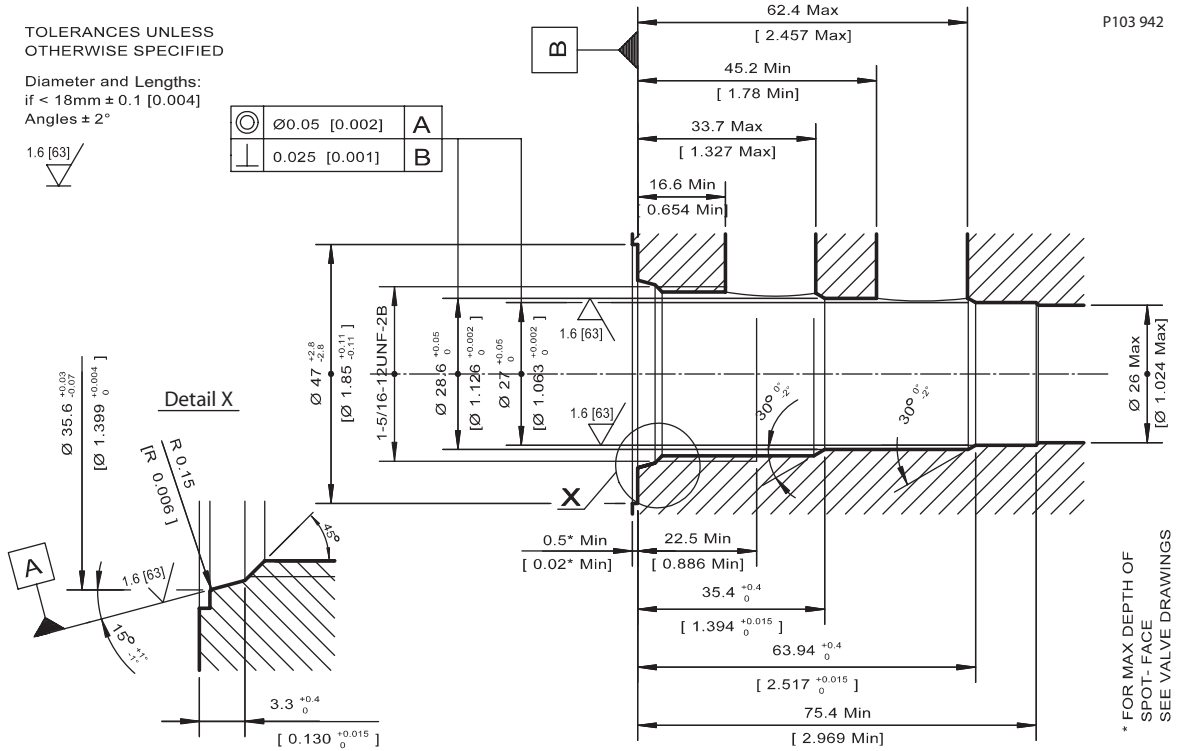
mm [in]

TOLERANCES UNLESS OTHERWISE SPECIFIED

Diameter and Lengths:
if < 18mm ± 0.1 [0.004]
Angles ± 2°

1.6 [63]

⊙	∅0.05 [0.002]	A
⊥	0.025 [0.001]	B



Form tools

	Model code	Material number
Finishing tool	SDC16-3-FT	11027198
Roughing tool	SDC16-3-RT	11027199

Housings

Order Code	Description	Ports	Page
CP16-3-12S	Aluminum Housing	SAE #12	20.103
CP16-3-16S	Aluminum Housing	SAE #16	20.103
SDC16-2-HE-6B	Aluminum Housing	3/4 BSP	20.101
SDC16-2-HE-8B	Aluminum Housing	1 BSP	20.100
SDC16-3-HI-8B	Aluminum Housing, Two #1 Ports	1 BSP	20.102



Cartridge Valves Technical Information

Cavities

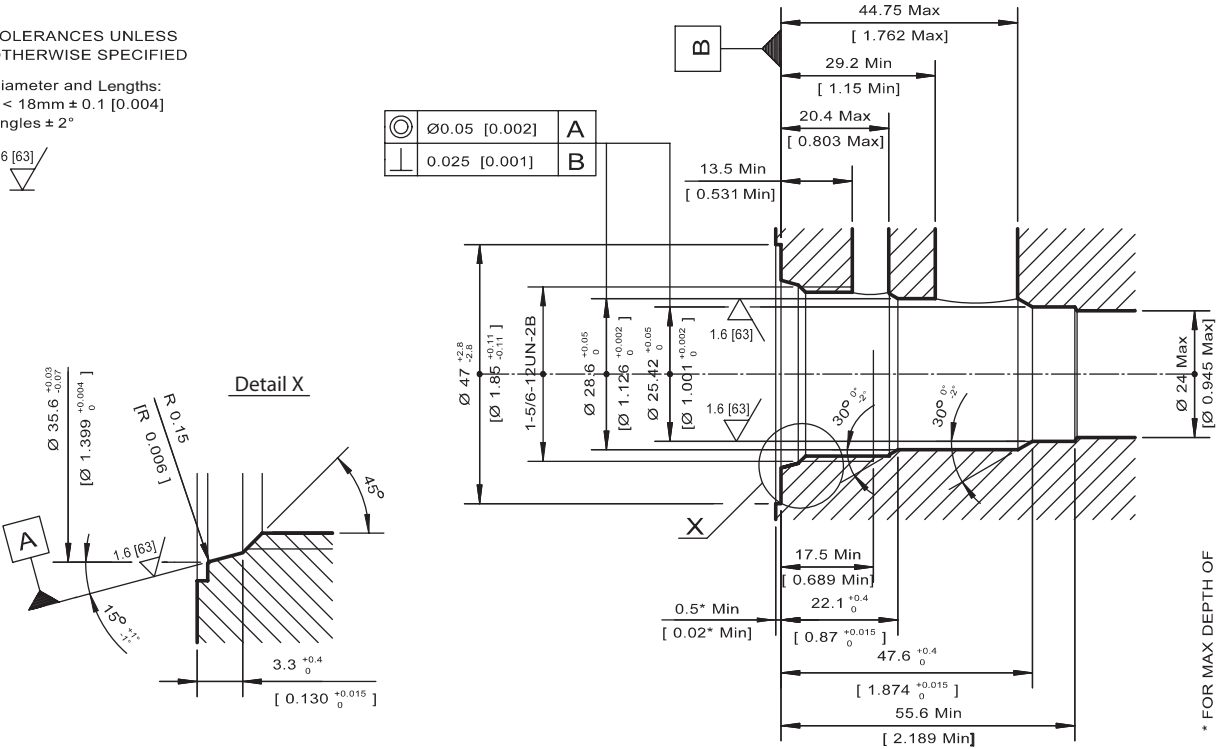
SDC16-3S

Dimensions

mm [in]

TOLERANCES UNLESS OTHERWISE SPECIFIED

Diameter and Lengths:
if < 18mm ± 0.1 [0.004]
Angles ± 2°



* FOR MAX DEPTH OF SPOT-FACE SEE VALVE DRAWINGS

P103 943

Form tools

	Model code	Material number
Finishing tool	SDC16-3S-FT	11027234
Roughing tool	SDC16-3S-RT	11027235

Housings

Order Code	Description	Ports	Page
CP16-3S-12S/4S	Aluminum Housing, Pilot at Port #3	SAE #12, #4	20.104
CP16-3S-16S/4S	Aluminum Housing, Pilot at Port #3	SAE #16, #4	20.104
CP16-3S-6B/2B	Aluminum Housing, Pilot at Port #3	3/4 BSP, 1/4 BSP	20.104
CP16-3S-8B/2B	Aluminum Housing, Pilot at Port #3	1 BSP, 1/4 BSP	20.104

Cavities SDC16-3S



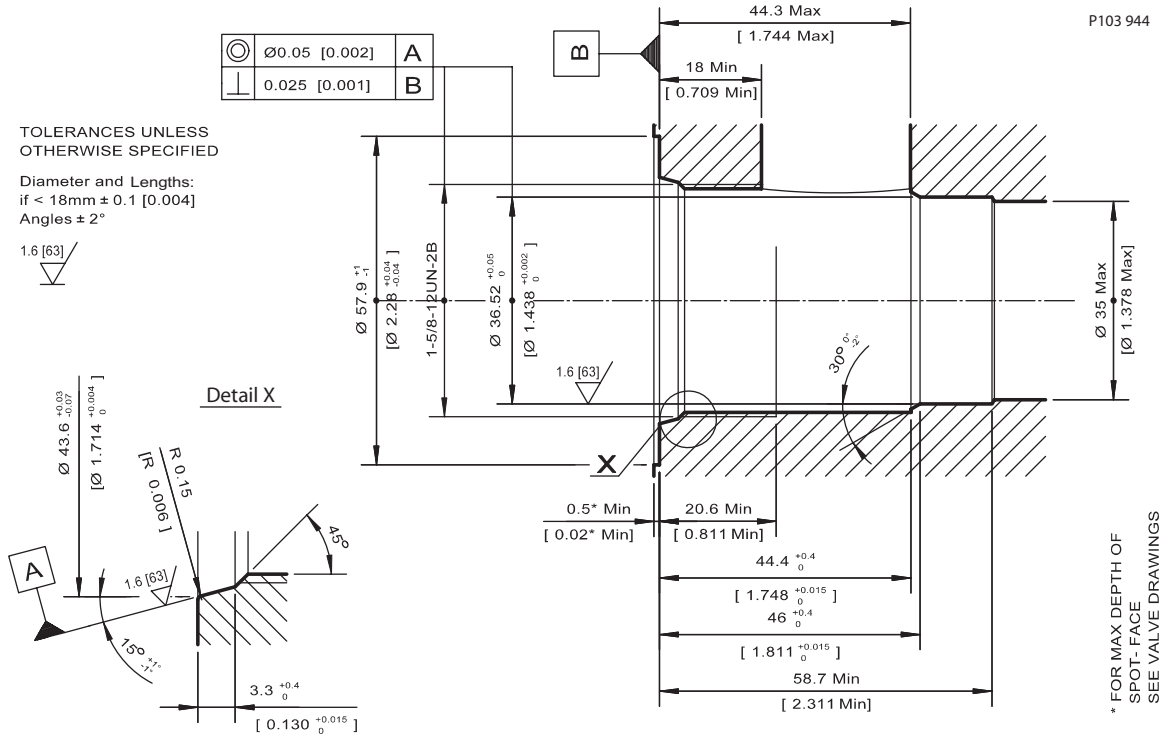
Cartridge Valves Technical Information

Cavities

SDC20-2

Dimensions

mm [in]



Form tools

	Model code	Material number
Finishing tool	SDC20-2-FT	11027236
Roughing tool	SDC20-2-RT	11027237

Housings

Order Code	Description	Ports	Page
CP20-2-10B	Aluminum Housing	1 1/4 BSP	20.105
CP20-2-16S	Aluminum Housing	SAE #16	20.105
CP20-2-20S	Aluminum Housing	SAE #20	20.105
CP20-2-8B	Aluminum Housing	1 BSP	20.105

Cavities SDC20-2



Cartridge Valves Technical Information

Cavities

SDC20-3

Dimensions

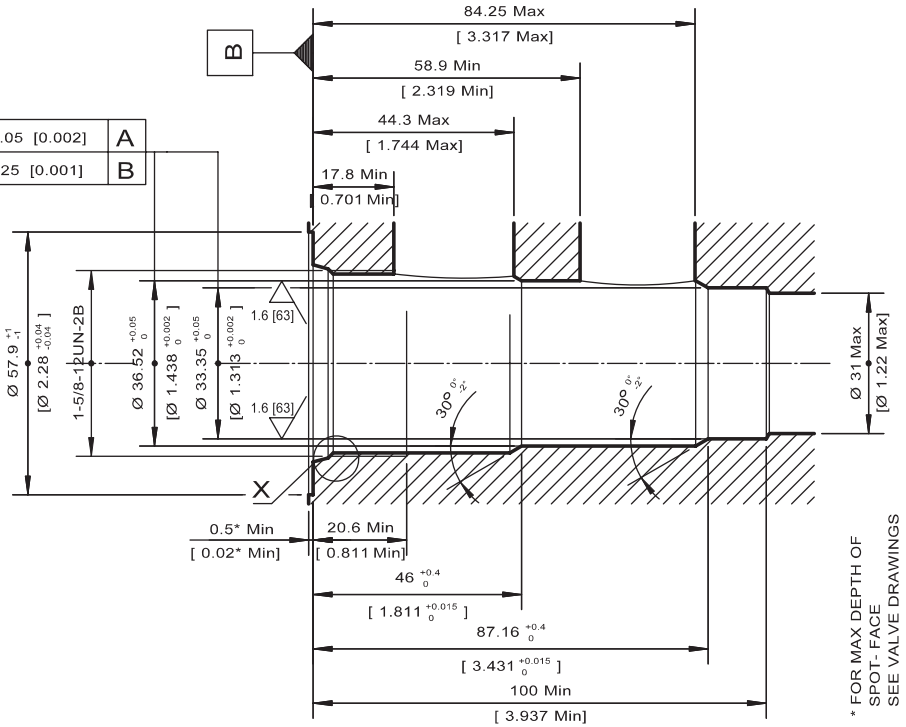
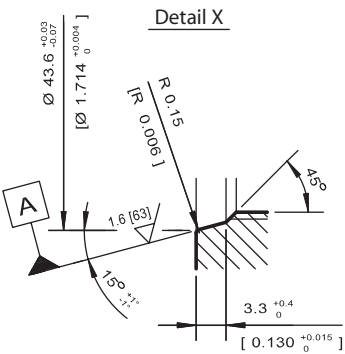
mm [in]

TOLERANCES UNLESS OTHERWISE SPECIFIED

Diameter and Lengths:
if < 18mm ± 0.1 [0.004]
Angles ± 2°

1.6 [63]

⊙	∅0.05 [0.002]	A
⊥	0.025 [0.001]	B



* FOR MAX DEPTH OF SPOT-FACE SEE VALVE DRAWINGS

P103 945

Form tools

	Model code	Material number
Finishing tool	SDC20-3-FT	11027238
Roughing tool	SDC20-3-RT	11027239

Housings

Order Code	Description	Ports	Page
CP20-3-10B	Aluminum Housing	1 1/4 BSP	20.106
CP20-3-10B/2B1	Aluminum Housing, Pilot at Port #3	1 1/4 BSP, 1/4 BSP	20.106
CP20-3-16S	Aluminum Housing	SAE #16	20.106
CP20-3-16S/4S1	Aluminum Housing, Pilot at Port #3	SAE #16, #4	20.106
CP20-3-20S	Aluminum Housing	SAE #20	20.106
CP20-3-20S/4S1	Aluminum Housing, Pilot at Port #3	SAE #20, #4	20.106
CP20-3-8B	Aluminum Housing	1 BSP	20.106
CP20-3-8B/2B1	Aluminum Housing, Pilot at Port #3	1 BSP, 1/4 BSP	20.106



Cartridge Valves Technical Information

Cavities

SDC20-4

Dimensions

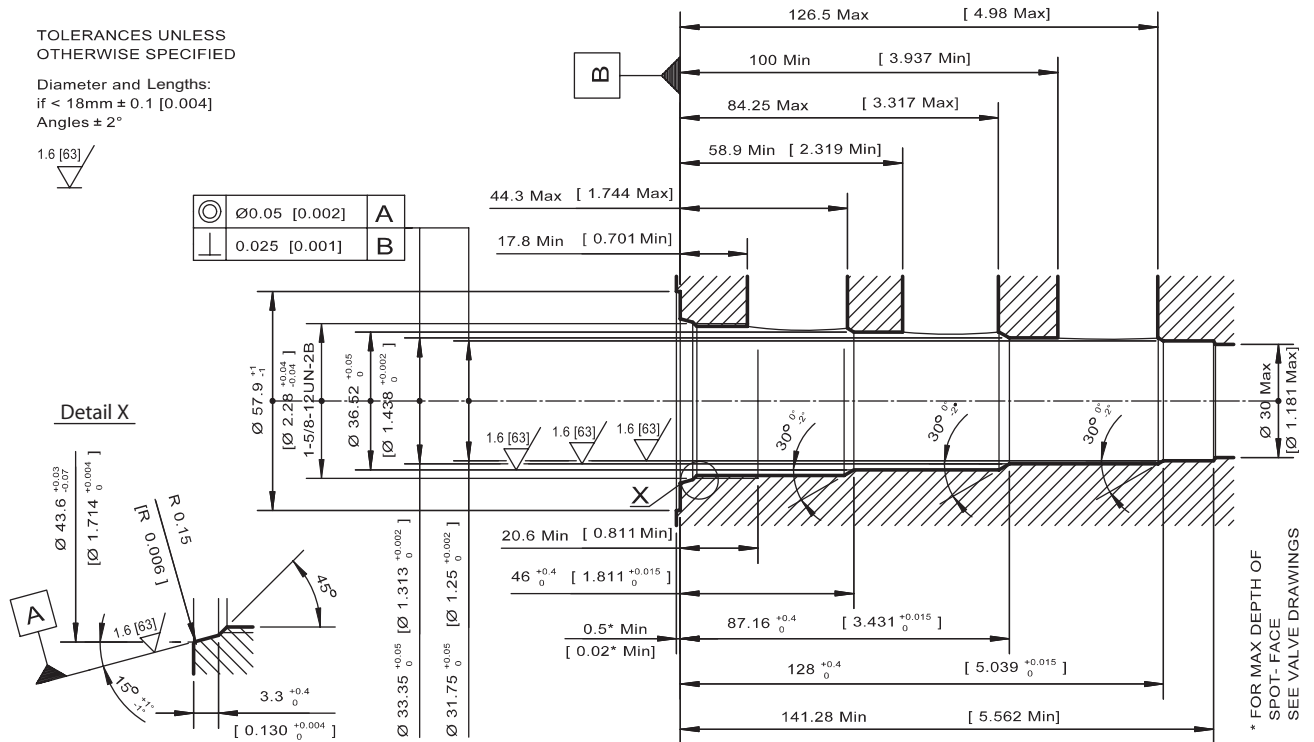
mm [in]

TOLERANCES UNLESS OTHERWISE SPECIFIED

Diameter and Lengths:
if < 18mm ± 0.1 [0.004]
Angles ± 2°



	∅ 0.05 [0.002]	A
	0.025 [0.001]	B



P103 946

Form tools

	Model code	Material number
Finishing tool	SDC20-4-FT	11027240
Roughing tool	SDC20-4-RT	11027241

Housings

Order Code	Description	Ports	Page
CP20-4-10B	Aluminum Housing	1 1/4 BSP	20.107
CP20-4-10B-X1	Aluminum Housing, No Port #1	1 1/4 BSP	20.107
CP20-4-16S	Aluminum Housing	SAE #16	20.107
CP20-4-16S/4S	Aluminum Housing, Pilot at Port #1	SAE #16, #4	20.107
CP20-4-16S-X1	Aluminum Housing, No Port #1	SAE #16	20.107
CP20-4-20S	Aluminum Housing	SAE #20	20.107
CP20-4-20S/4S	Aluminum Housing, Pilot at Port #1	SAE #20, #4	20.107
CP20-4-20S-X1	Aluminum Housing, No Port #1	SAE #20	20.107
CP20-4-8B	Aluminum Housing	1 BSP	20.107
CP20-4-8B-X1	Aluminum Housing, No Port #1	1 BSP	20.107
CP20-4-516S	Steel Housing	SAE #16	20.107
CP20-4-516S-X1	Steel Housing, No Port #1	SAE #16	20.107

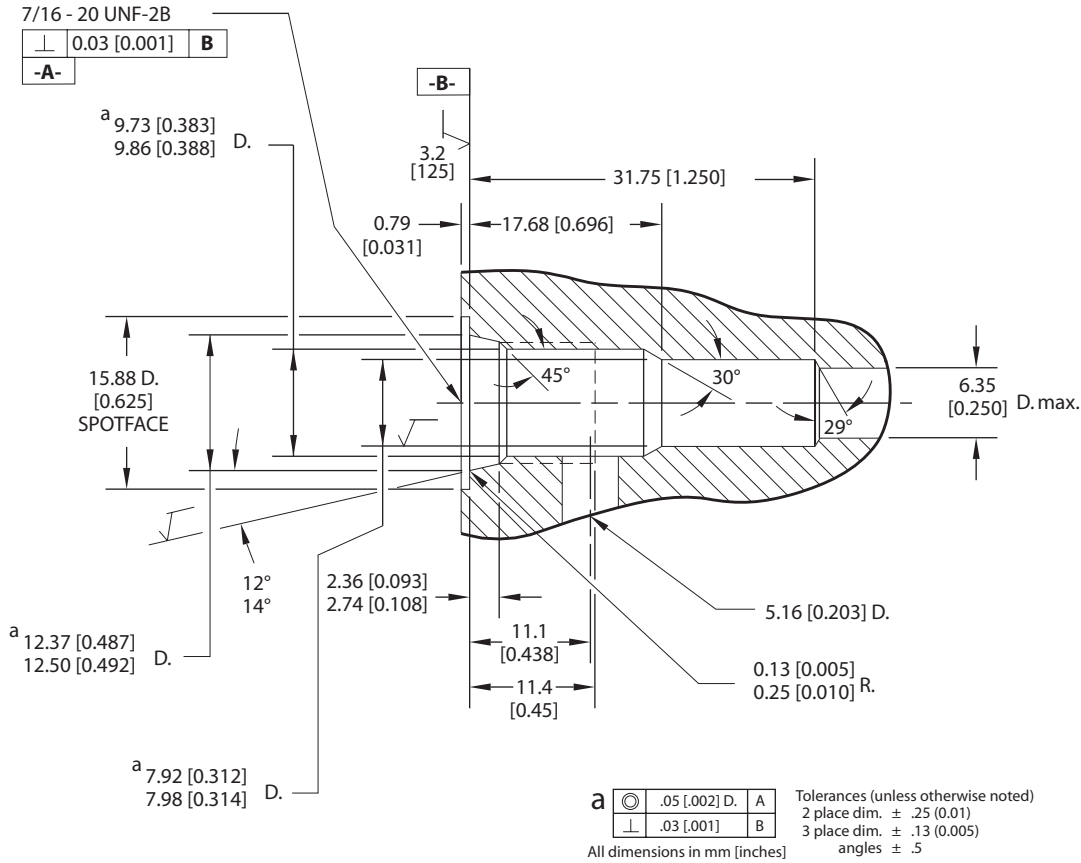
Cavities
SDC20-4



Cartridge Valves Technical Information
Cavities
CP04-2

Dimensions

mm [in]



$\sqrt{\quad} = 1.6 [63] \sqrt{\quad}$

P102815

Form tools

Roughing tool	CP-4-2-RT
Finishing tool	CP-4-2-FT

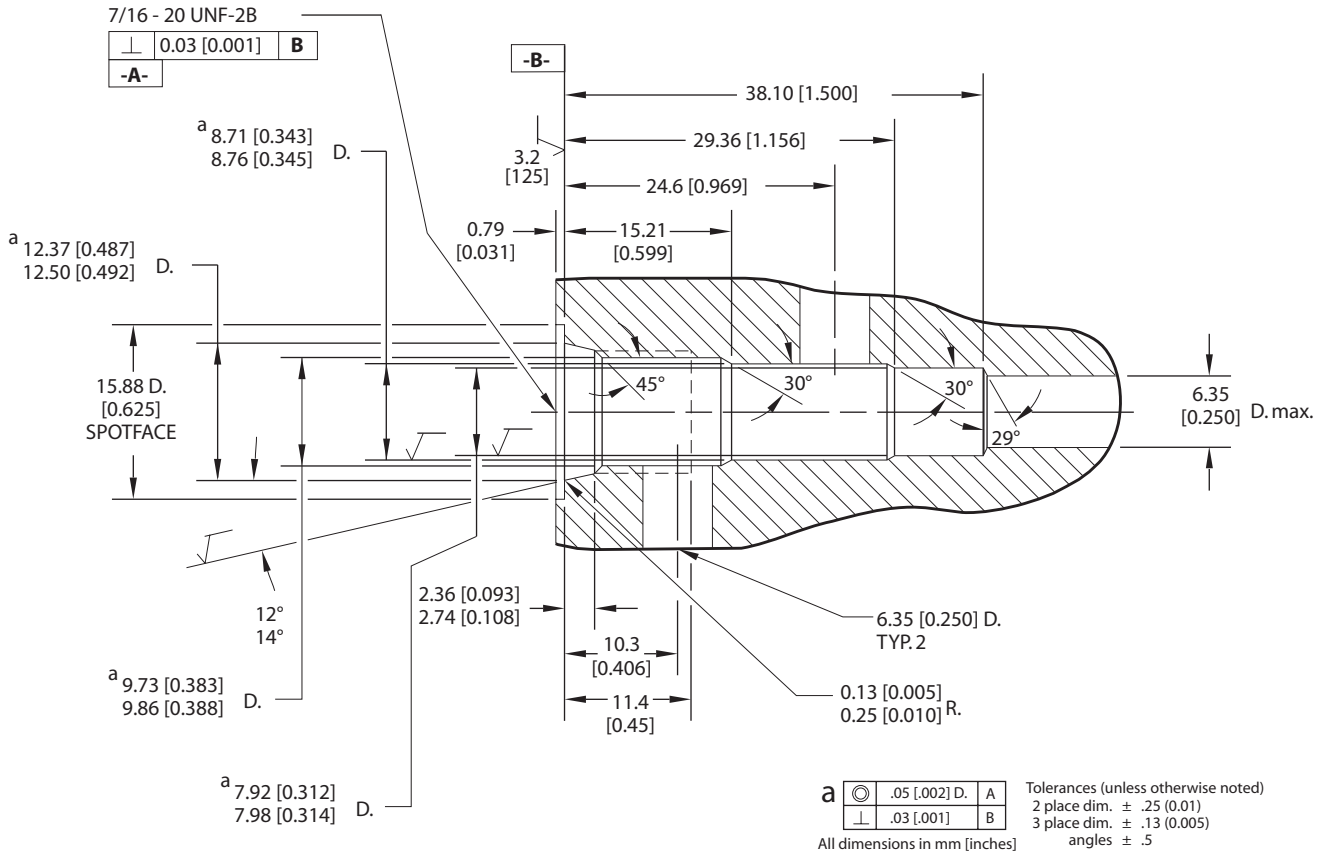
Housings

Order Code	Description	Ports	Page
CP04-2-2B	Aluminum Housing	1/4 BSP	20.6
CP04-2-4S	Aluminum Housing	SAE #4	20.6

Cavities
CP04-2

Dimensions

mm [in]



$\sqrt{\quad} = 1.6 [63] \sqrt{\quad}$
P102 769

Form tools

Roughing tool	CP-4-3-RT
Finishing tool	CP-4-3-FT

Housings

Order Code	Description	Ports	Page
CP04-3-2B	Aluminum Housing	1/4 BSP	20.7
CP04-3-4S	Aluminum Housing	SAE #4	20.7



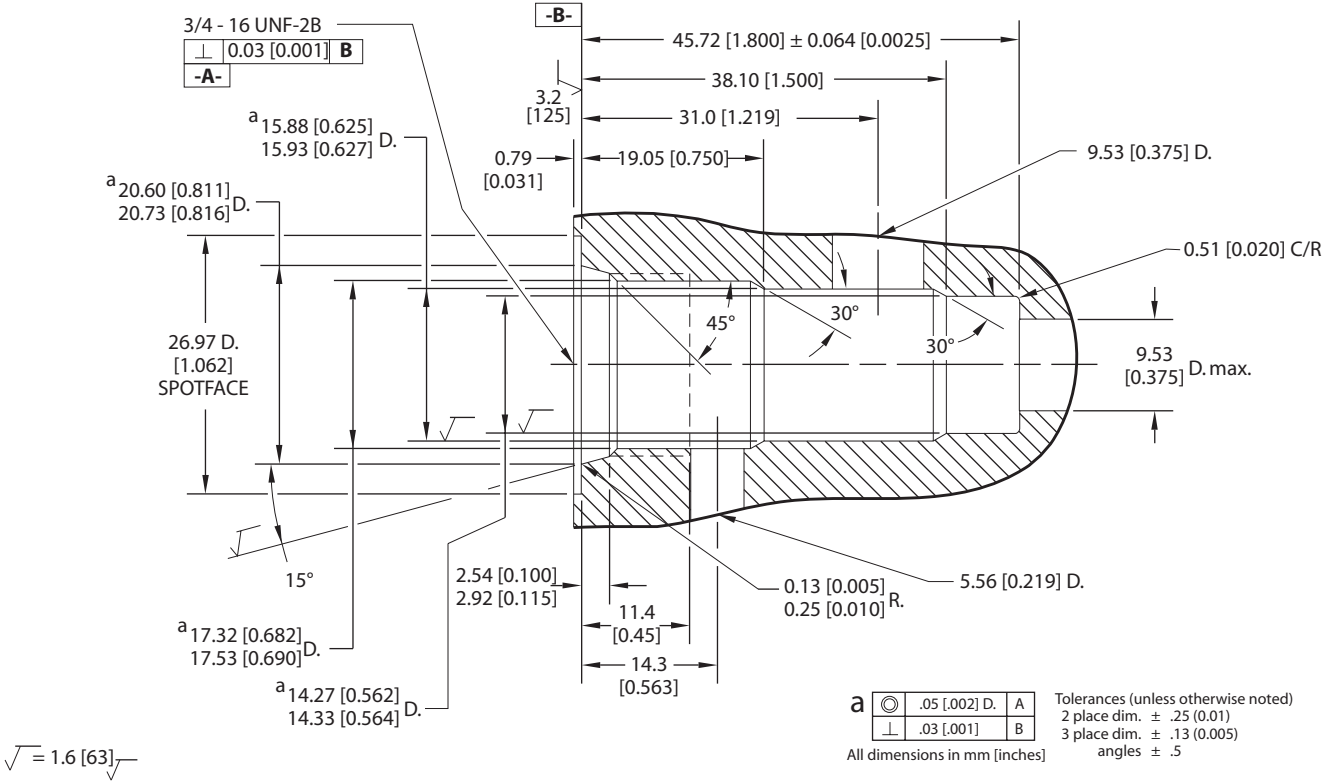
Cartridge Valves Technical Information

Cavities

CP08-3L

Dimensions

mm [in]



P102 775

Cavities
CP08-3L

Form tools

	Model code	Material number
Roughing tool	CP08-3L-FT	11027088
Finishing tool	CP08-3L-RT	11027089

Housings

Order Code	Description	Ports	Page
CP08-3L-2B	Aluminum Housing	1/4 BSP	20.9
CP08-3L-3B	Aluminum Housing	3/8 BSP	20.9
CP08-3L-4S	Aluminum Housing	SAE #4	20.9
CP08-3L-6S	Aluminum Housing	SAE #6	20.9



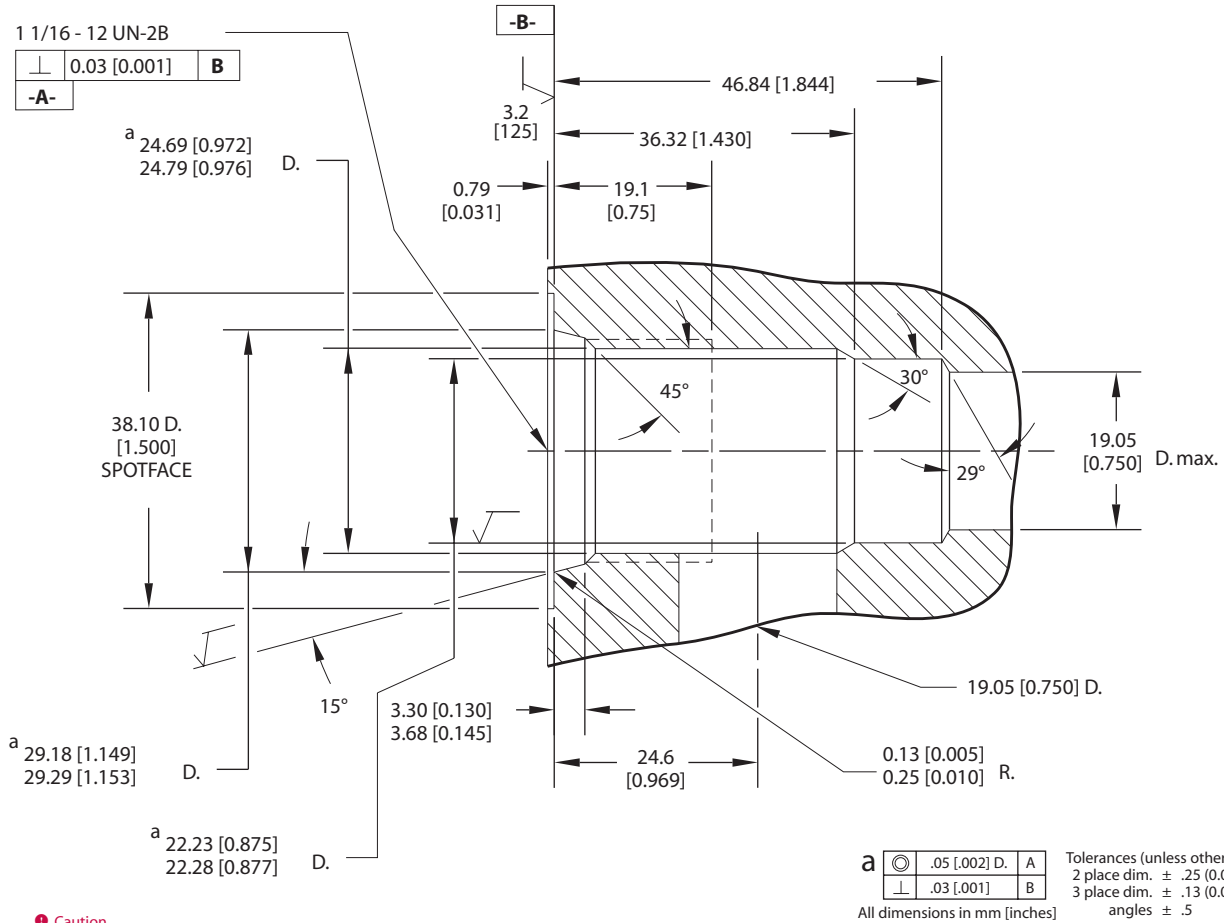
Cartridge Valves Technical Information

Cavities

CP12-2

Dimensions

mm [in]



Caution
SDC12-2 and CP12-2 cavities are not interchangeable. Differences in sealing area depth may lead to leakage if the wrong valve is used with this cavity. Use only the specified cavity for each valve.

$$\sqrt{\quad} = 1.6 [63] \sqrt{\quad}$$

P102 789

Form tools

Roughing tool	CP-12-2-RT
Finishing tool	CP-12-2-FT

Housings

Order Code	Description	Ports	Page
CP12-2-10S	Aluminum Housing	SAE #10	20.10
CP12-2-12S	Aluminum Housing	SAE #12	20.10
CP12-2-S10S	Steel Housing	SAE #10	20.10
CP12-2-S12S	Steel Housing	SAE #12	20.10
CP12-2-4B	Aluminum housing	1/2 BSP	20.10
CP12-2-6B	Aluminum housing	3/4 BSP	20.10

Cavities
CP12-2



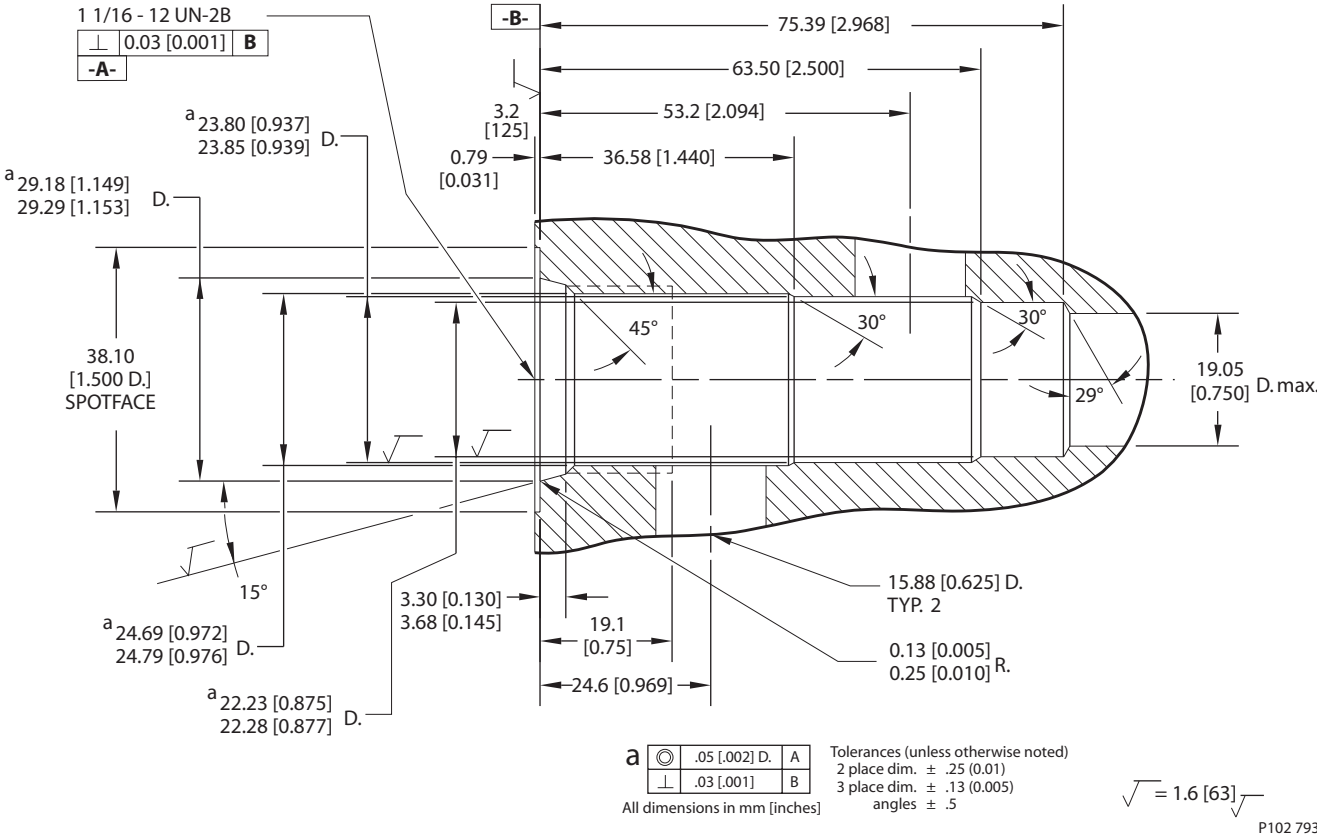
Cartridge Valves Technical Information

Cavities

CP12-3

Dimensions

mm [in]



Cavities
CP12-3

Form tools

Roughing tool	CP-12-3-RT
Finishing tool	CP-12-3-FT

Housings

Order Code	Description	Ports	Page
CP12-3-10S	Aluminum Housing	SAE #10	20.11
CP12-3-12S	Aluminum Housing	SAE #12	20.11
CP12-3-4B	Aluminum Housing	1/2 BSP	20.11
CP12-3-6B	Aluminum Housing	3/4 BSP	20.11
CP12-3-S10S	Steel Housing	SAE #10	20.11
CP12-3-S12S	Steel Housing	SAE #12	20.11



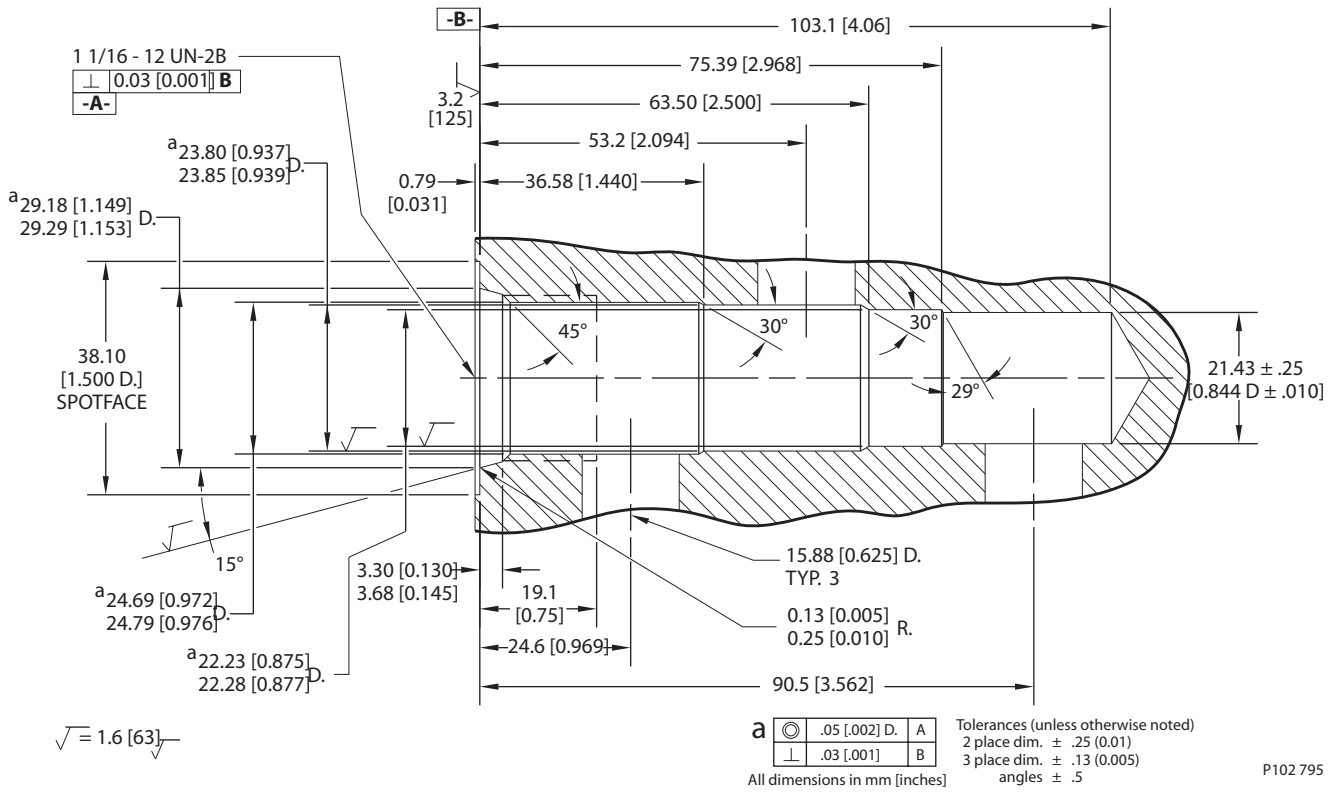
Cartridge Valves Technical Information

Cavities

CP12-3M

Dimensions

mm [in]



Form tools

Roughing tool	CP-12-3M-RT
Finishing tool	CP-12-3-FT

Housings

Order Code	Description	Ports	Page
CP12-3M-10S	Aluminum Housing	SAE #10	20.12
CP12-3M-12S	Aluminum Housing	SAE #12	20.12
CP12-3M-6B	Aluminum Housing	3/4 BSP	20.12

Cavities
CP12-3M



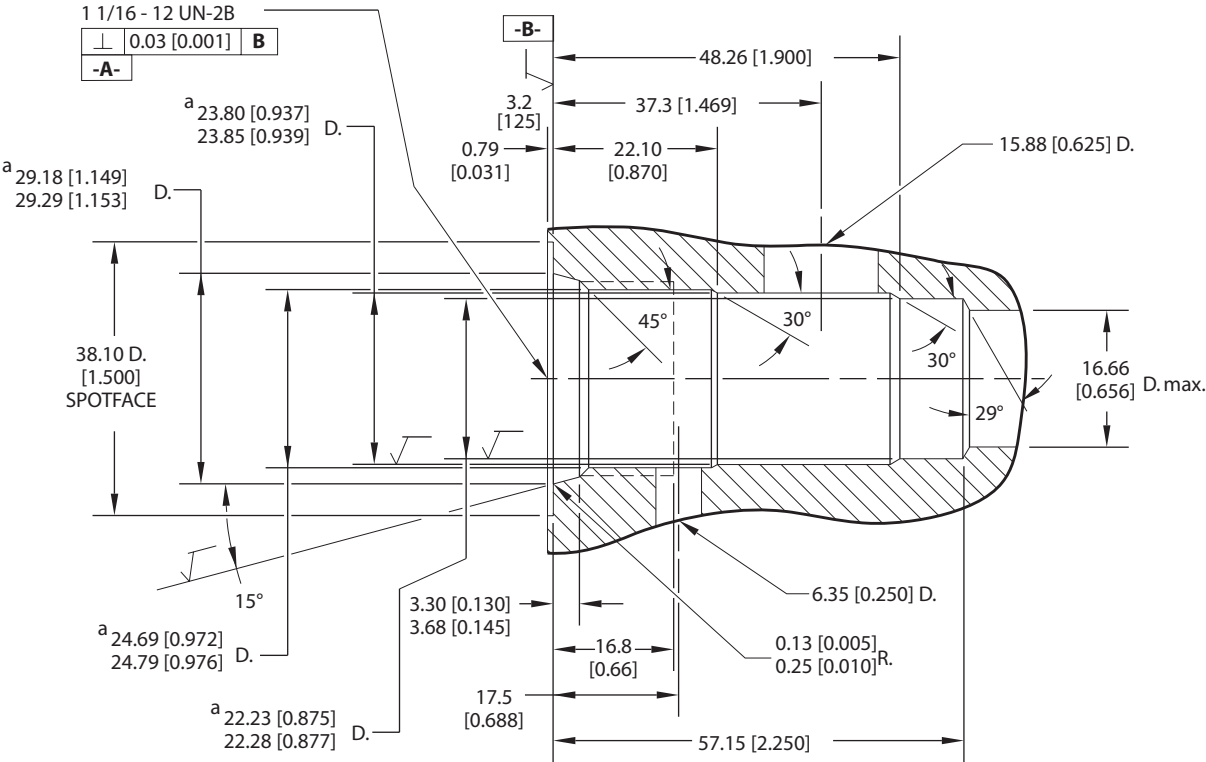
Cartridge Valves Technical Information

Cavities

CP12-3S

Dimensions

mm [in]



$$\sqrt{\quad} = 1.6 [63]$$

a

⊙	.05 [0.002] D.	A
⊥	.03 [0.001]	B

 Tolerances (unless otherwise noted)
 2 place dim. ± .25 (0.01)
 3 place dim. ± .13 (0.005)
 angles ± .5

All dimensions in mm [inches]

P102 791

Form tools

Roughing tool	CP-12-3S-RT
Finishing tool	CP-12-3S-FT

Housings

Order Code	Description	Ports	Page
CP12-3S-10S/4S	Aluminum Housing, Pilot at Port #3	SAE #10, #4	20.13
CP12-3S-12S/4S	Aluminum Housing, Pilot at Port #3	SAE #12, #4	20.13
CP12-3S-4B/2B	Aluminum Housing, Pilot at Port #3	1/2 BSP, 1/4 BSP	20.13
CP12-3S-6B/2B	Aluminum Housing, Pilot at Port #3	3/4 BSP, 1/4 BSP	20.13

Cavities
CP12-3S



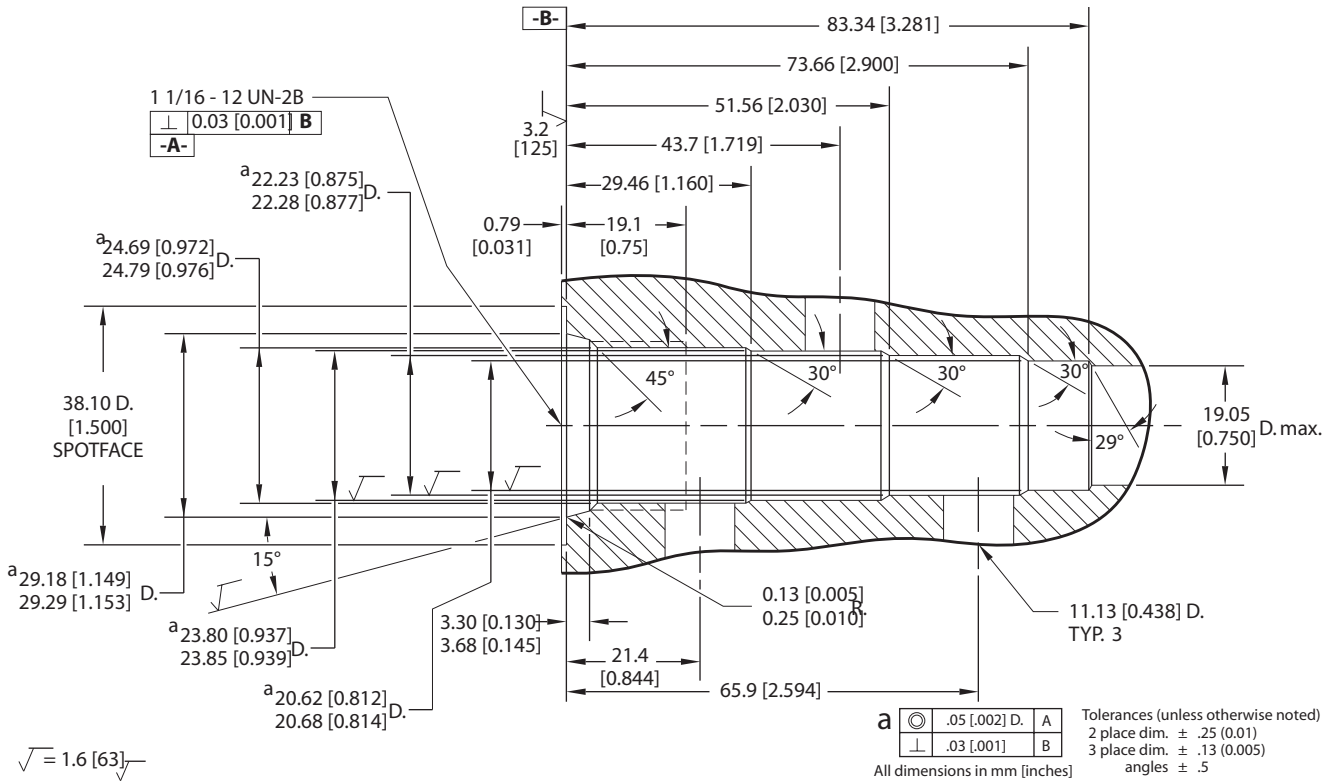
Cartridge Valves Technical Information

Cavities

CP12-4

Dimensions

mm [in]



P102 797

Form tools

	Model code	Material number
Finishing tool	CP-12-4-FT	11027090
Roughing tool	CP-12-4-RT	11027091

Housings

Order Code	Description	Ports	Page
CP12-4-10S	Aluminum Housing	SAE #10	20.14
CP12-4-10S/4S	Aluminum Housing, Pilot at Port #1	SAE #10, #4	20.14
CP12-4-10S-X1	Aluminum Housing, No Port #1	SAE #10	20.14
CP12-4-3B	Aluminum Housing	3/8 BSP	20.14
CP12-4-3B-X1	Aluminum Housing, No Port #1	3/8 BSP	20.14
CP12-4-4B	Aluminum Housing	1/2 BSP	20.14
CP12-4-4B-X1	Aluminum Housing, No Port #1	1/2 BSP	20.14
CP12-4-8S	Aluminum Housing	SAE #8	20.14
CP12-4-8S/4S	Aluminum Housing, Pilot at Port #1	SAE #10, #4	20.14
CP12-4-8S-X1	Aluminum Housing, No Port #1	SAE #8	20.14

Cavities CP12-4



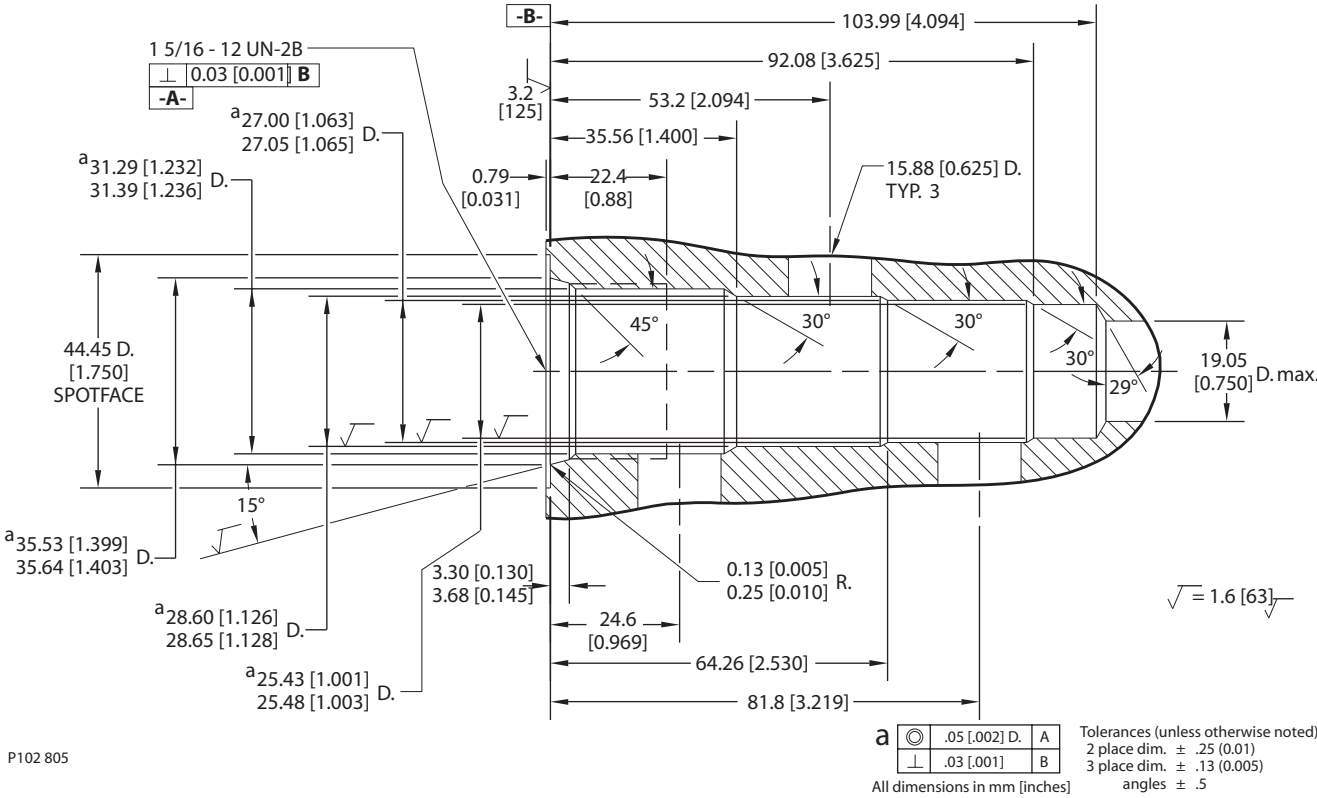
Cartridge Valves Technical Information

Cavities

CP16-4

Dimensions

mm [in]



Cavities CP16-4

Form tools

	Model code	Material number
Finishing tool	CP-16-4-FT	11027092
Roughing tool	CP-16-4-RT	11027093

Housings

Order Code	Description	Ports	Page
CP16-4-12S	Aluminum Housing	SAE #12	20.16
CP16-4-12S-X1	Aluminum Housing, No Port #1	SAE #12	20.15
CP16-4-16S	Aluminum Housing	SAE #16	20.16
CP16-4-16S-X1	Aluminum Housing, No Port #1	SAE #16	20.15
CP16-4-6B	Aluminum Housing	3/4 BSP	20.16
CP16-4-8B	Aluminum Housing	1 BSP	20.16



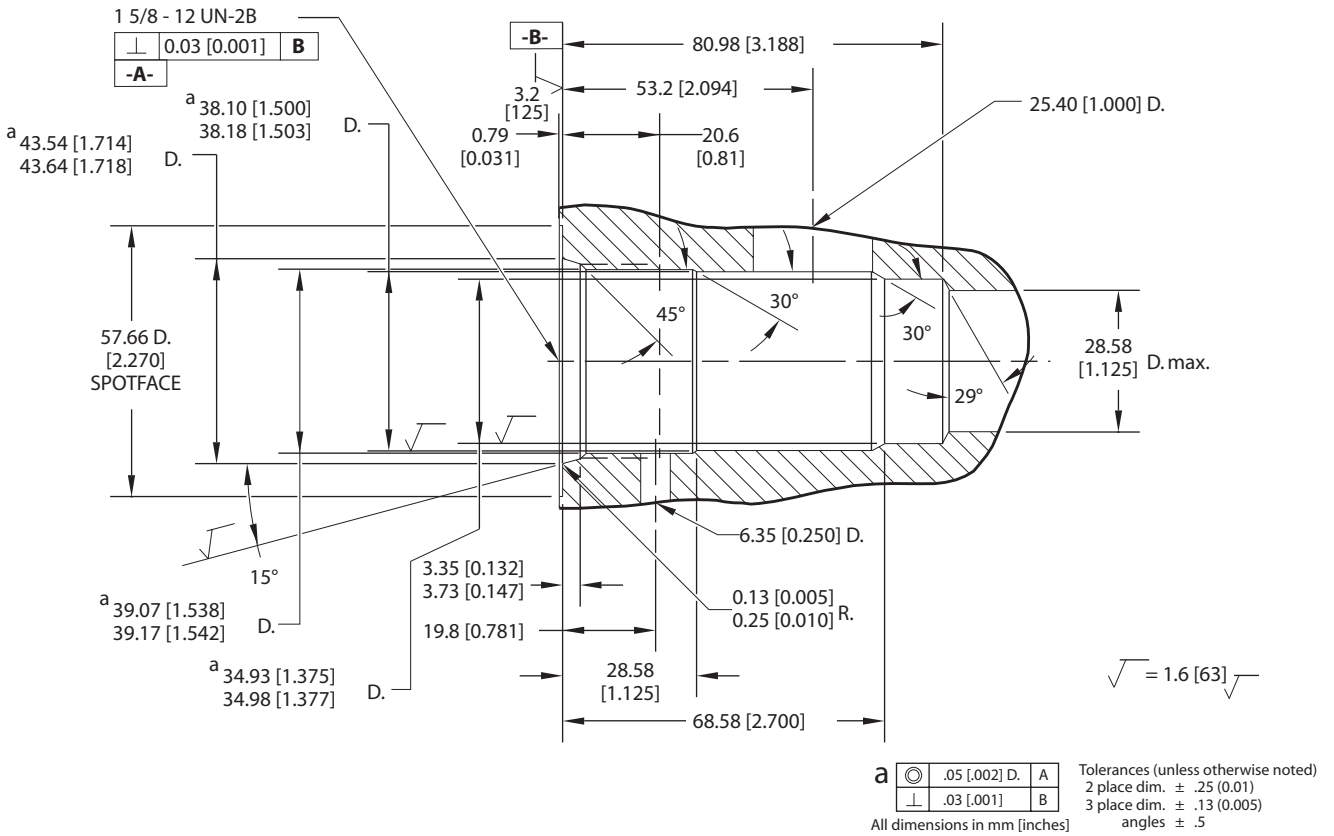
Cartridge Valves Technical Information

Cavities

CP20-3S

Dimensions

mm [in]



P102 809

Form tools

	Model code	Material number
Finishing tool	CP-20-3S-FT	11013235
Roughing tool	CP-20-3S-RT	11013233

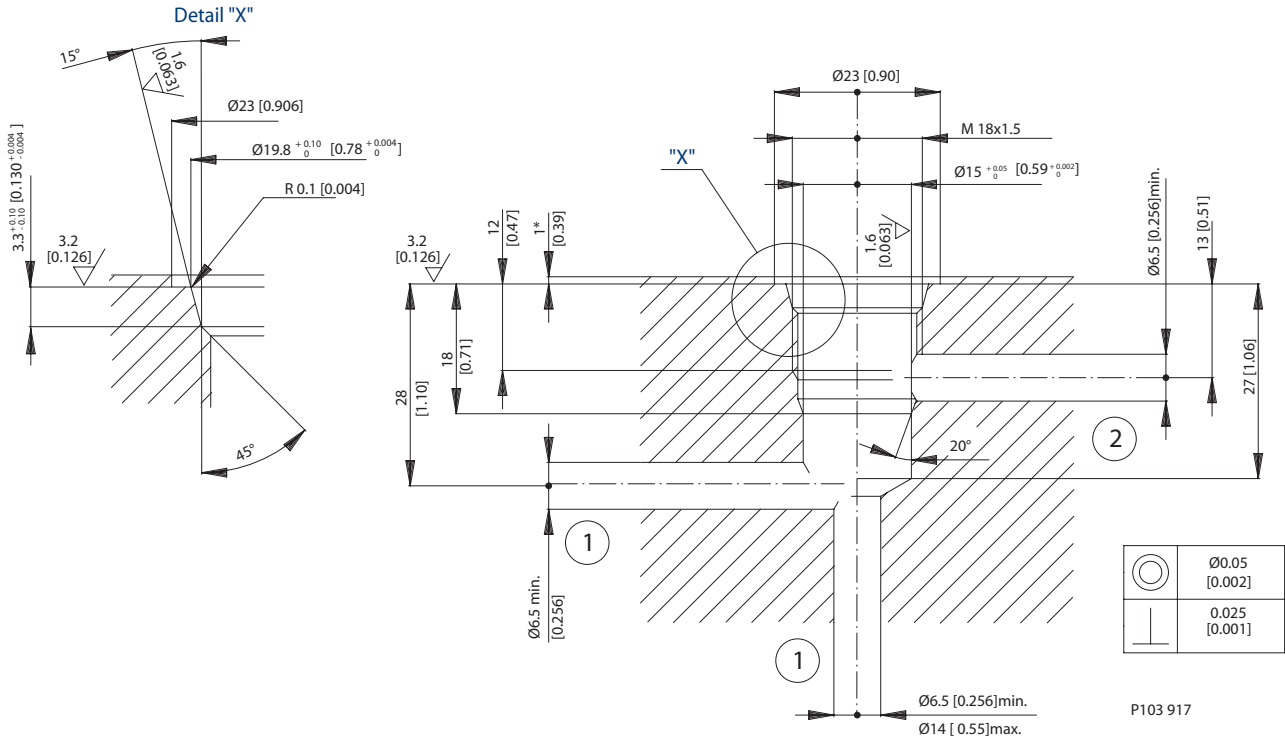
Housings

Order Code	Description	Ports	Page
CP20-3S-10B/2B	Aluminum Housing, Pilot at Port #3	1 1/4 BSP, 1/4 BSP	20.17
CP20-3S-16S/4S	Aluminum Housing, Pilot at Port #3	SAE #16, #4	20.17
CP20-3S-20S/4S	Aluminum Housing, Pilot at Port #3	SAE #20, #4	20.17
CP20-3S-8B/2B	Aluminum Housing, Pilot at Port #3	1 BSP, 1/4 BSP	20.17

Cavities
CP20-3S

Dimensions

mm [in]



Form tools

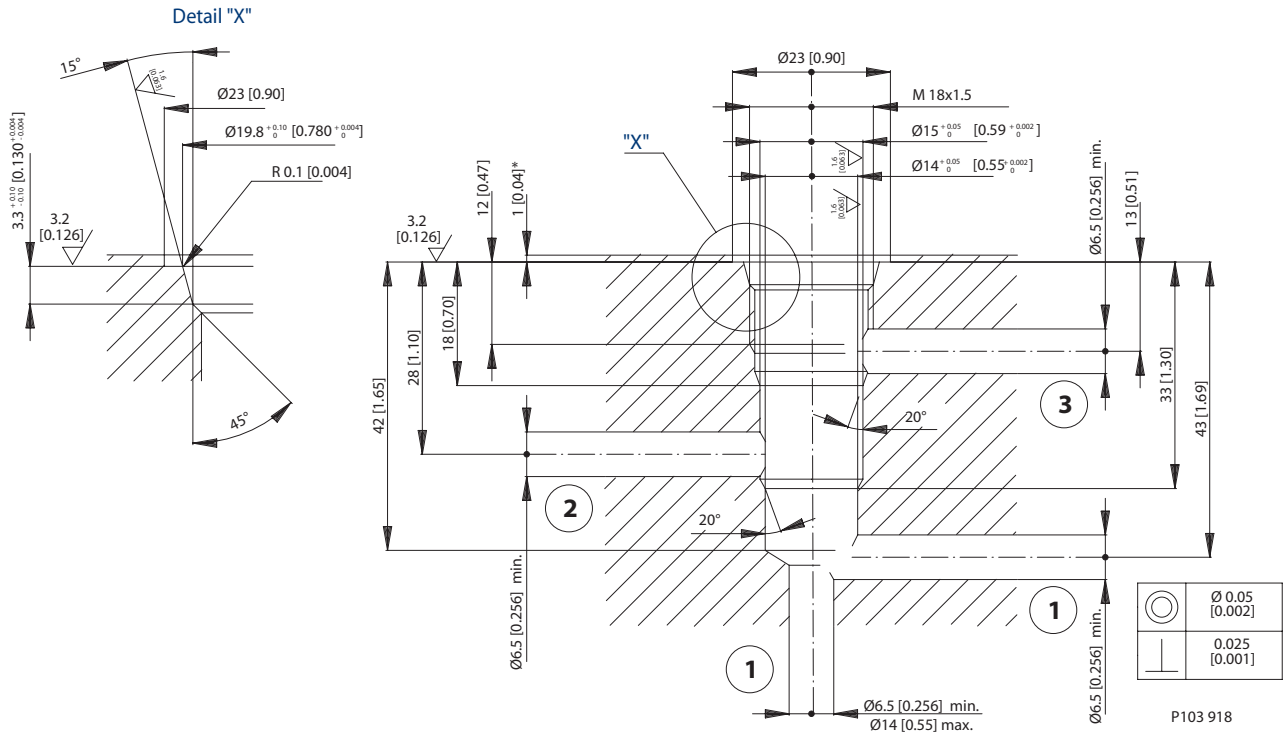
	Model code	Material number
Finishing tool	NCS04-2-FT	11027154
Roughing tool	NCS04-2-RT	11027155

Housings

Order Code	Description	Ports	Page
NCS04/2-DG-1/4	Aluminum Housing	1/4 BSP	20.22
NCS04/2-DG-4S	Aluminum Housing	SAE #4	20.22
NCS04/2-DG-6S	Aluminum Housing	SAE #6	20.22
NCS04/2-LG1-1/4	Aluminum Housing, Two #2 Ports	1/4 BSP	20.23
NCS04/2-LG1-4S	Aluminum Housing, Two #2 Ports	SAE #4	20.23
NCS04/2-LG1-6S	Aluminum Housing, Two #2 Ports	SAE #6	20.23
NCS04/2-LG2-1/4	Aluminum Housing, Two #1 Ports	1/4 BSP	20.21
NCS04/2-LG2-4S	Aluminum Housing, Two #1 Ports	SAE #4	20.21
NCS04/2-LG2-6S	Aluminum Housing, Two #1 Ports	SAE #6	20.21

Dimensions

mm [in]



Form tools

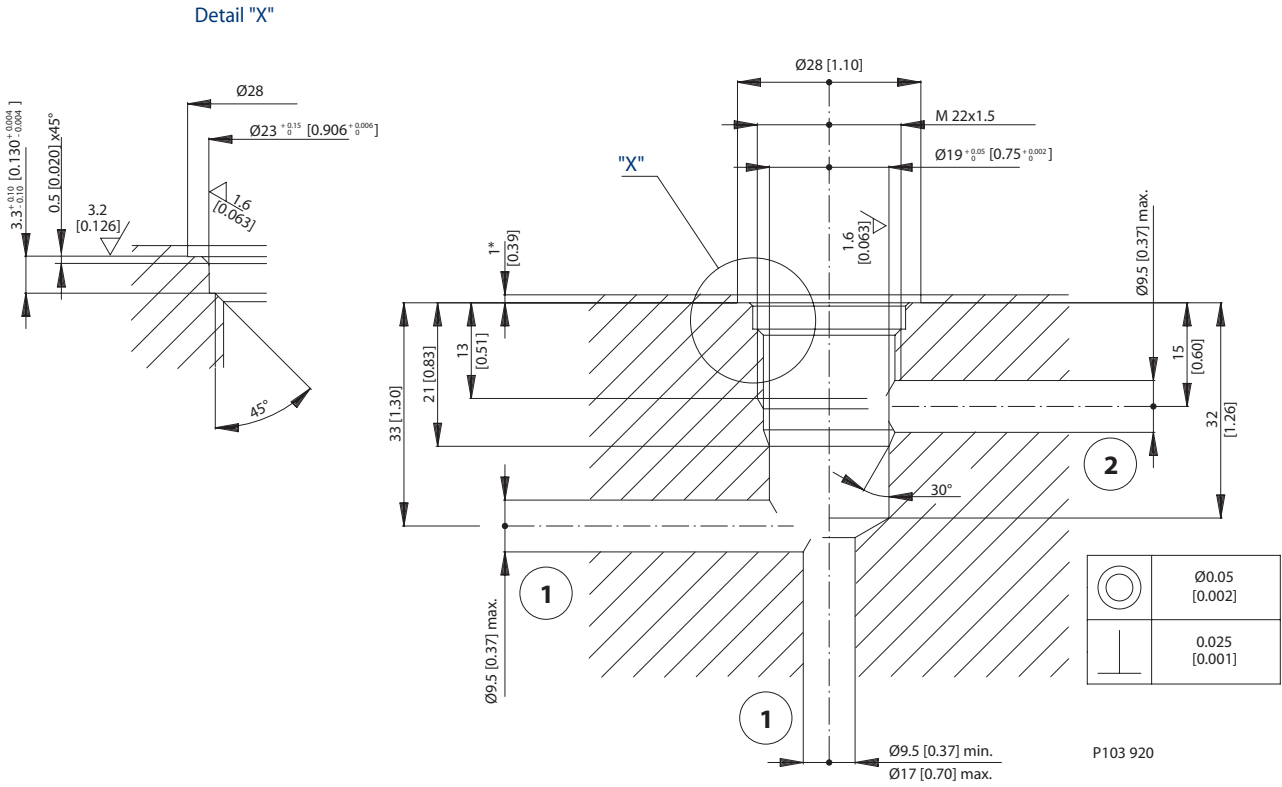
	Model code	Material number
Finishing tool	NCS04-3-FT	11027156
Roughing tool	NCS04-3-RT	11027157

Housings

Order Code	Description	Ports	Page
NCS04/3-DI-1/4	Alum. Hsg., 2 Cavities w/#3 Ports Conn.	1/4 BSP	20.26
NCS04/3-DI-3/8	Alum. Hsg., 2 Cavities w/#3 Ports Conn.	3/8 BSP	20.26
NCS04/3-DL-1/4	Alum. Hsg., 2 Cavities w/#1 Ports Conn.	1/4 BSP	20.27
NCS04/3-DL-4S	Alum. Hsg., 2 Cavities w/#1 Ports Conn.	SAE #4	20.27
NCS04/3-DL-6S	Alum. Hsg., 2 Cavities w/#1 Ports Conn.	SAE #6	20.27
NCS04/3-SE-1/4	Aluminum Housing	1/4 BSP	20.24
NCS04/3-SE-4S	Aluminum Housing	SAE #4	20.28
NCS04/3-SE-6S	Aluminum Housing	SAE #6	20.28
NCS04/3-SI-1/4	Aluminum Housing, Two #1 Ports	1/4 BSP	20.25
NCS04/3-SI-4S	Aluminum Housing, Two #1 Ports	SAE #4	20.29
NCS04/3-SI-6S	Aluminum Housing, Two #1 Ports	SAE #6	20.29

Dimensions

mm [in]



Form tools

	Model code	Material number
Finishing tool	NCS06-2-FT	11027158
Roughing tool	NCS06-2-RT	11027159

Housings

Order Code	Description	Ports	Page
NCS06/2-DG-1/2	Aluminum Housing	1/2 BSP	20.34
NCS06/2-DG-3/8	Aluminum Housing	3/8 BSP	20.33
NCS06/2-DG-6S	Aluminum Housing	SAE #6	20.33
NCS06/2-DG-8S	Aluminum Housing	SAE #8	20.34
NCS06/2-LG1-1/2	Aluminum Housing, Two #2 Ports	1/2 BSP	20.36
NCS06/2-LG1-3/8	Aluminum Housing, Two #2 Ports	3/8 BSP	20.37
NCS06/2-LG1-8S	Aluminum Housing, Two #2 Ports	SAE #8	20.36
NCS06/2-LG2-1/2	Aluminum Housing, Two #1 Ports	1/2 BSP	20.32
NCS06/2-LG2-3/8	Aluminum Housing, Two #1 Ports	3/8 BSP	20.35
NCS06/2-LG2-6S	Aluminum Housing, Two #1 Ports	SAE #6	20.35
NCS06/2-LG2-8S	Aluminum Housing, Two #1 Ports	SAE #8	20.32



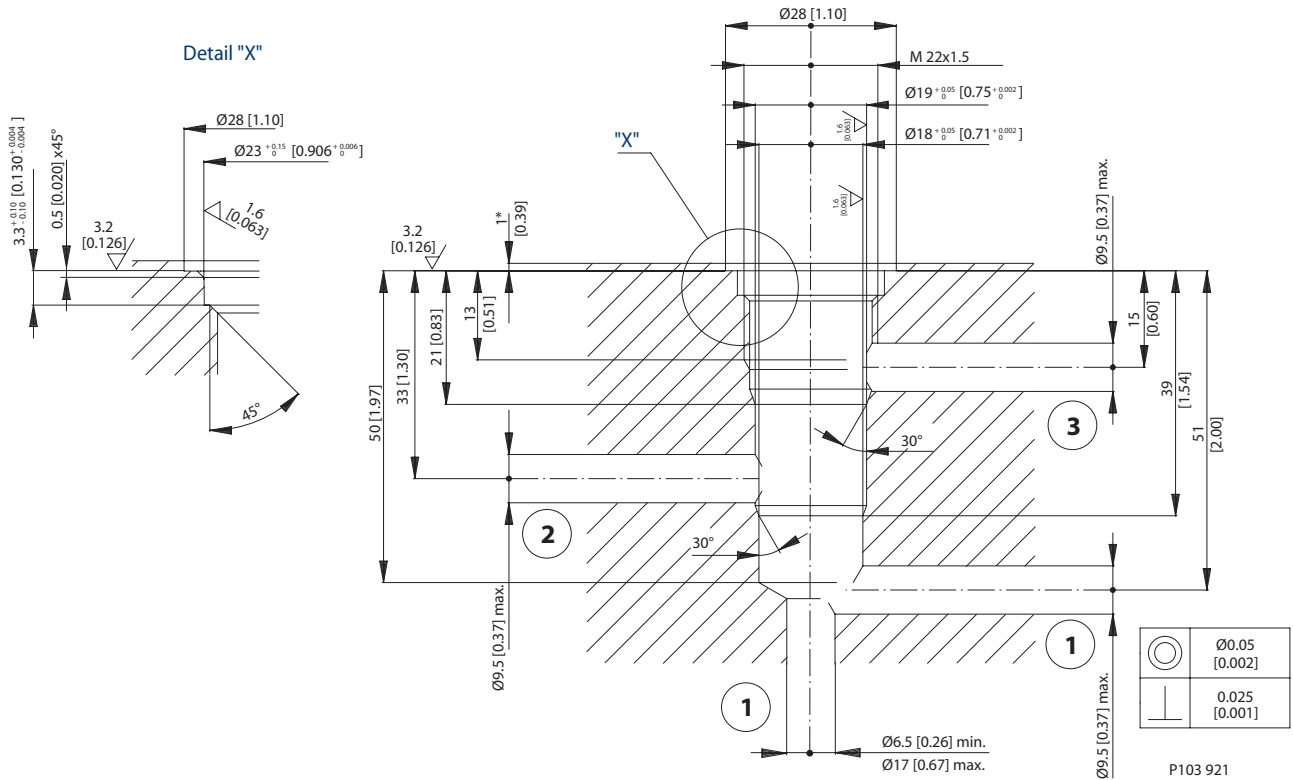
Cartridge Valves Technical Information

Cavities

NCS06/3

Dimensions

mm [in]



Form tools

	Model code	Material number
Finishing tool	NCS06-3-FT	11027160
Roughing tool	NCS06-3-RT	11027161

Housings

Order Code	Description	Ports	Page
NCS06/3-DL-1/2	Alum. Hsg., 2 Cavities w/#1 Ports Conn.	1/2 BSP	20.38
NCS06/3-DL-3/8	Alum. Hsg., 2 Cavities w/#1 Ports Conn.	3/8 BSP	20.45
NCS06/3-DL-6S	Alum. Hsg., 2 Cavities w/#1 Ports Conn.	SAE #6	20.45
NCS06/3-DL-8S	Alum. Hsg., 2 Cavities w/#1 Ports Conn.	SAE #8	20.38
NCS06/3-LD-6S	Aluminum Housing, No Port #1	SAE #6	20.39
NCS06/3-LD-8S	Aluminum Housing, No Port #1	SAE #8	20.40
NCS06/3-SE-1/2	Aluminum Housing	1/2 BSP	20.41
NCS06/3-SE-3/8	Aluminum Housing	3/8 BSP	20.42
NCS06/3-SE-6S	Aluminum Housing	SAE #6	20.42
NCS06/3-SE-8S	Aluminum Housing	SAE #8	20.41
NCS06/3-SI-1/2	Aluminum Housing, Two #1 Ports	1/2 BSP	20.44
NCS06/3-SI-3/8	Aluminum Housing, Two #1 Ports	3/8 BSP	20.43
NCS06/3-SI-6S	Aluminum Housing, Two #1 Ports	SAE #6	20.43
NCS06/3-SI-8S	Aluminum Housing, Two #1 Ports	SAE #8	20.44

Cavities
NCS06/3



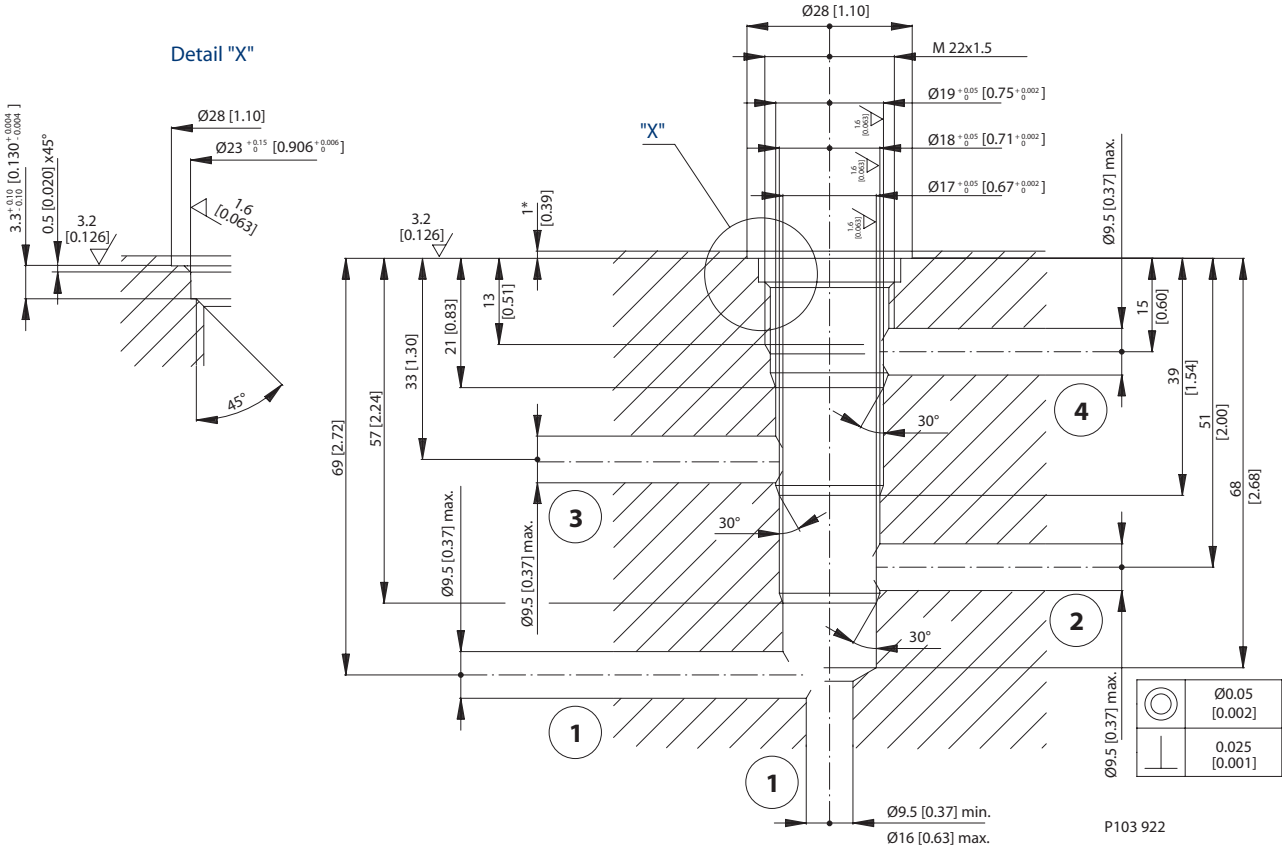
Cartridge Valves Technical Information

Cavities

NCS06/4

Dimensions

mm [in]



Cavities
NCS06/4

Form tools

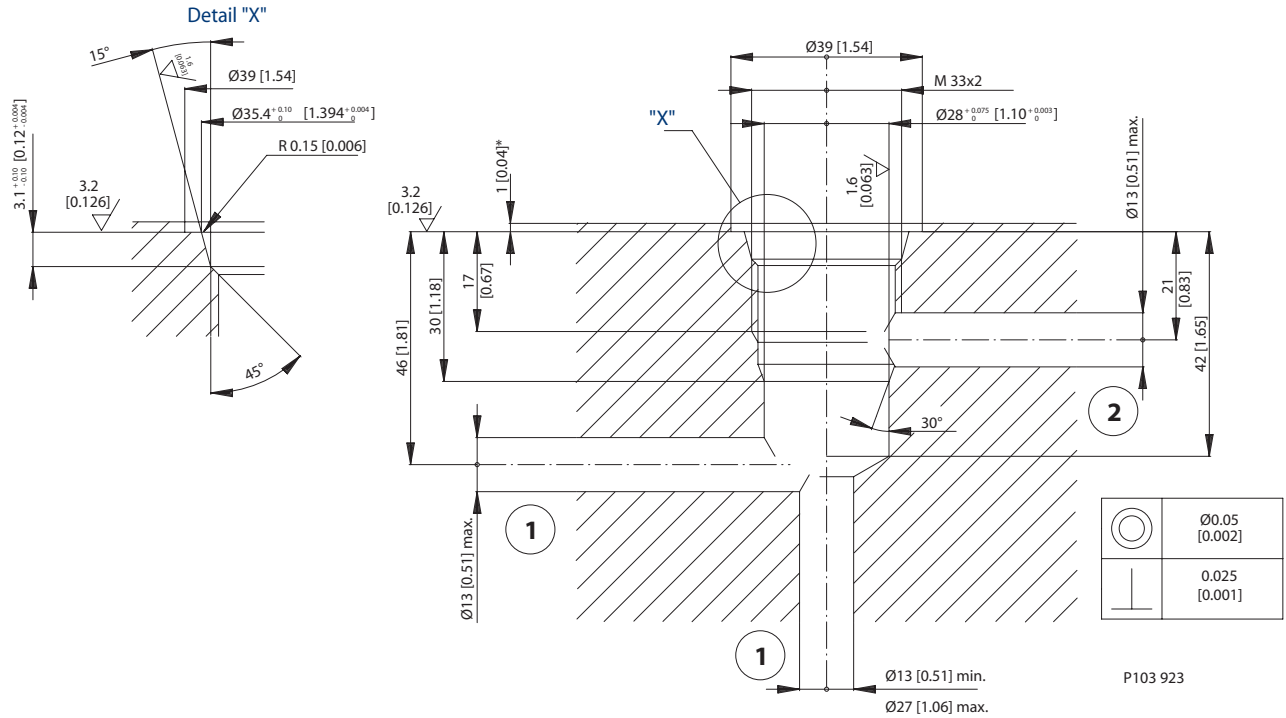
	Model code	Material number
Finishing tool	NCS06-4-FT	11027172
Roughing tool	NCS06-4-RT	11027173

Housings

Order Code	Description	Ports	Page
NCS06/4-L-1/2	Aluminum Housing	1/2 BSP	20.47
NCS06/4-L-3/8	Aluminum Housing	3/8 BSP	20.49
NCS06/4-L-6S	Aluminum Housing	SAE #6	20.49
NCS06/4-L-8S	Aluminum Housing	SAE #8	20.47
NCS06/4-LD-1/2	Aluminum Housing, No Port #1	1/2 BSP	20.48
NCS06/4-LD-3/8	Aluminum Housing, No Port #1	3/8 BSP	20.46

Dimensions

mm [in]



Form tools

	Model code	Material number
Finishing tool	NCS12-2-FT	11027174
Roughing tool	NCS12-2-RT	11027175

Housings

Order Code	Description	Ports	Page
NCS12/2-DG-1/2	Aluminum Housing	1/2 BSP	20.50
NCS12/2-DG-12S	Aluminum Housing	SAE #12	20.50
NCS12/2-DG-3/4	Aluminum Housing	3/4 BSP	20.50
NCS12/2-DG-8S	Aluminum Housing	SAE #8	20.50
NCS12/2-LG1-12S	Aluminum Housing, Two #2 Ports	SAE #12	20.51
NCS12/2-LG1-8S	Aluminum Housing, Two #2 Ports	SAE #8	20.51
NCS12/2-LG2-1/2	Aluminum Housing, Two #1 Ports	1/2 BSP	20.52
NCS12/2-LG2-12S	Aluminum Housing, Two #1 Ports	SAE #12	20.52
NCS12/2-LG2-3/4	Aluminum Housing, Two #1 Ports	3/4 BSP	20.52
NCS12/2-LG2-8S	Aluminum Housing, Two #1 Ports	SAE #8	20.52



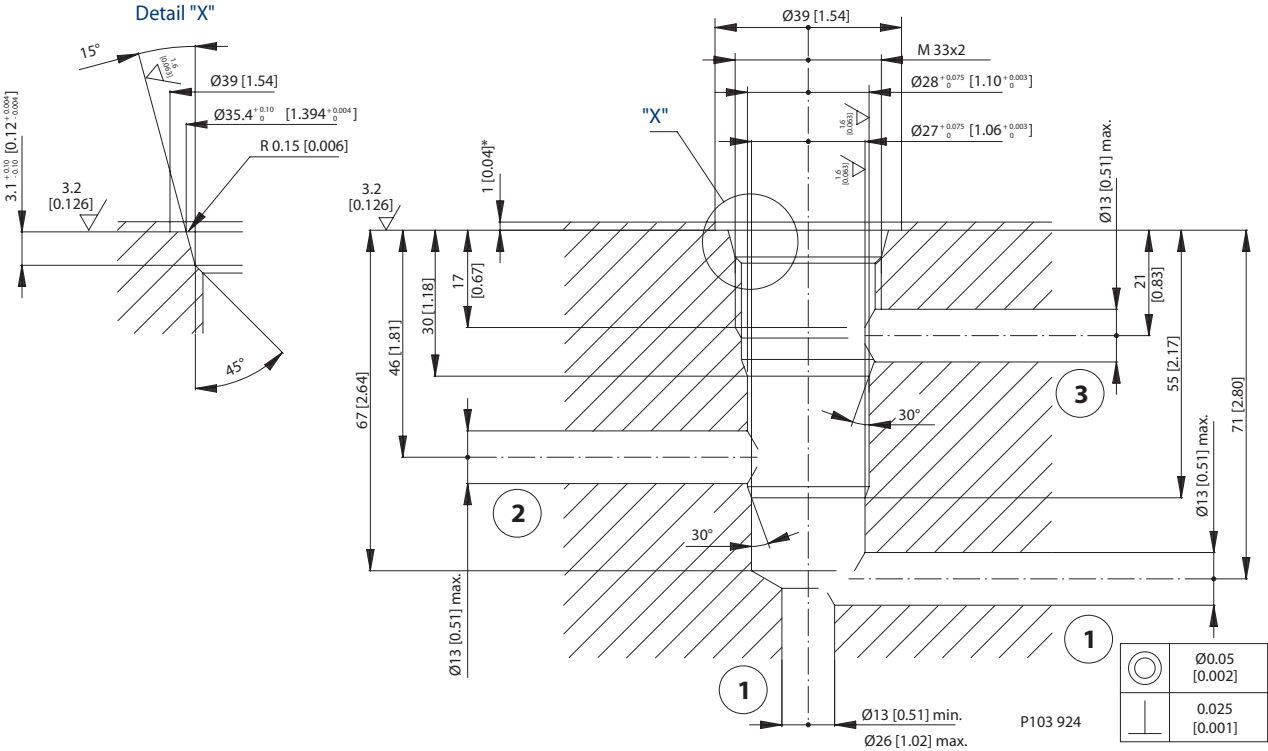
Cartridge Valves Technical Information

Cavities

NCS12/3

Dimensions

mm [in]



Cavities
NCS12/3

Form tools

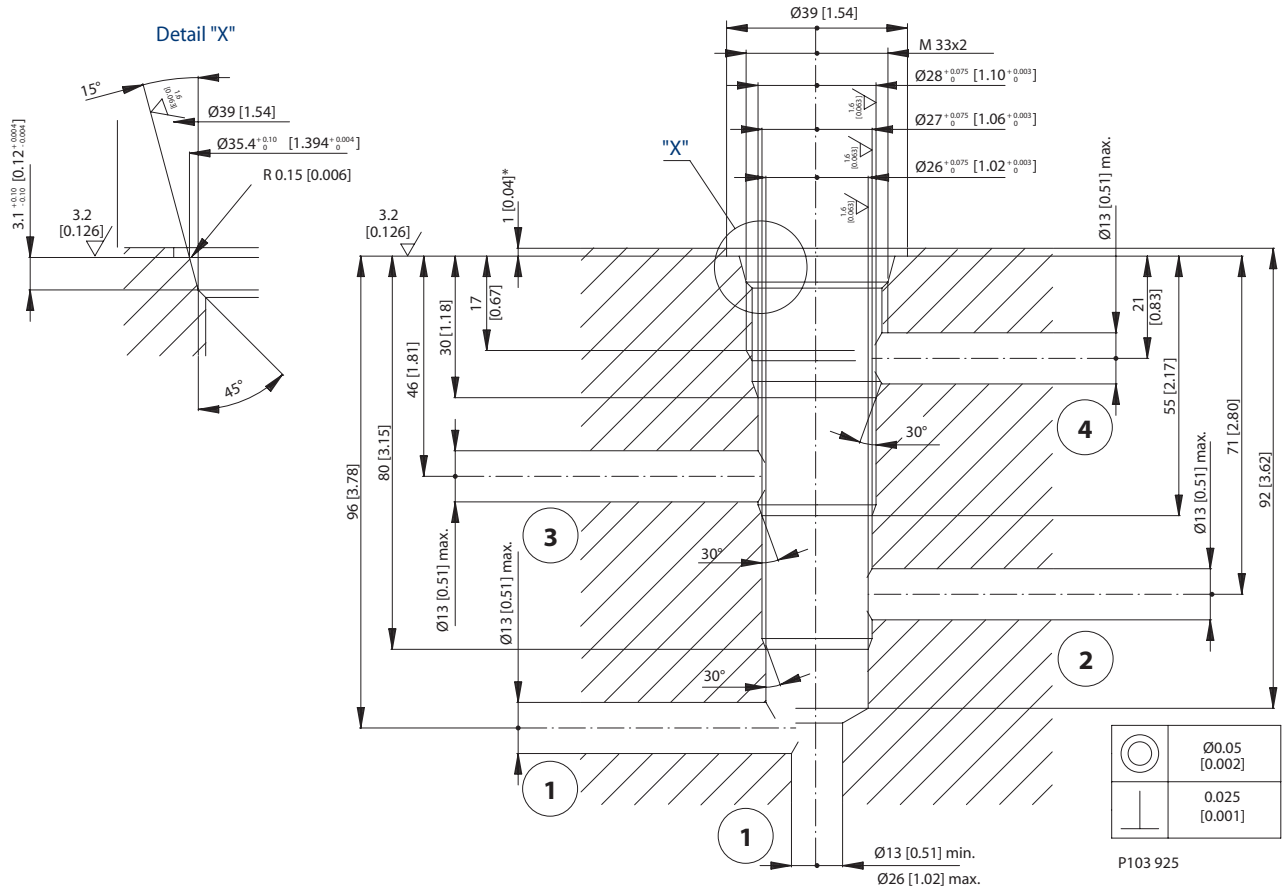
	Model code	Material number
Finishing tool	NCS12-3-FT	11027176
Roughing tool	NCS12-3-RT	11027177

Housings

Order Code	Description	Ports	Page
NCS12/3-DL-1/2	Alum. Hsg., 2 Cavities w/#1 Ports Conn.	1/2 BSP	20.54
NCS12/3-DL-12S	Alum. Hsg., 2 Cavities w/#1 Ports Conn.	SAE #12	20.53
NCS12/3-DL-3/4	Alum. Hsg., 2 Cavities w/#1 Ports Conn.	3/4 BSP	20.55
NCS12/3-DL-8S	Alum. Hsg., 2 Cavities w/#1 Ports Conn.	SAE #8	20.53
NCS12/3-SE-1	Aluminum Housing	1/2 BSP	20.56
NCS12/3-SE-12S	Aluminum Housing	SAE #12	20.56
NCS12/3-SE-3/4	Aluminum Housing	3/4 BSP	20.56
NCS12/3-SE-8S	Aluminum Housing	SAE #8	20.56
NCS12/3-SI-1	Aluminum Housing, Two #1 Ports	1/2 BSP	20.57
NCS12/3-SI-12S	Aluminum Housing, Two #1 Ports	SAE #12	20.57
NCS12/3-SI-3/4	Aluminum Housing, Two #1 Ports	3/4 BSP	20.57
NCS12/3-SI-8S	Aluminum Housing, Two #1 Ports	SAE #8	20.57

Dimensions

mm [in]



Form tools

	Model code	Material number
Finishing tool	NCS12-4-FT	11027178
Roughing tool	NCS12-4-RT	11027179

Housings

Order Code	Description	Ports	Page
NCS12/4-HD-1	Aluminum Housing, No Port #1	1/2 BSP	20.59
NCS12/4-L-1	Aluminum Housing	1/2 BSP	20.58
NCS12/4-L-12S	Aluminum Housing	SAE #12	20.60
NCS12/4-L-3/4	Aluminum Housing	3/4 BSP	20.58



Cartridge Valves Technical Information

Cavities

VME06

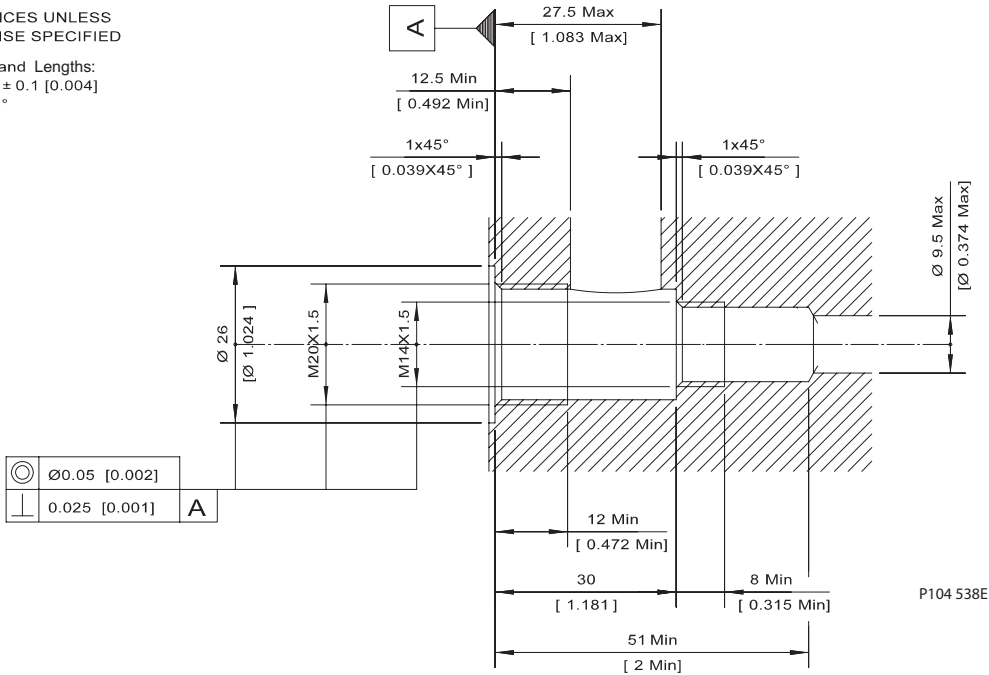
Dimensions

mm [in]

TOLERANCES UNLESS OTHERWISE SPECIFIED

Diameter and Lengths:
if < 18mm ± 0.1 [0.004]
Angles ± 2°

3.2 [125]



	∅0.05 [0.002]	
	0.025 [0.001]	A

P104 538E

Form tools

	Model code	Material number
Finishing tool	VME-06-FT	11027242
Roughing tool	VME-06-RT	11027243

Housings

Order Code	Description	Ports	Page
VME 06-DG-3B	Aluminum Housing	3/8 BSP	20.109
VME 06-DG-6S	Aluminum Housing	SAE #6	20.109
VME 06-LG-3B	Aluminum Housing	3/8 BSP	20.108
VME 06-LG-6S	Aluminum Housing	SAE #6	20.108

Cavities
VME06

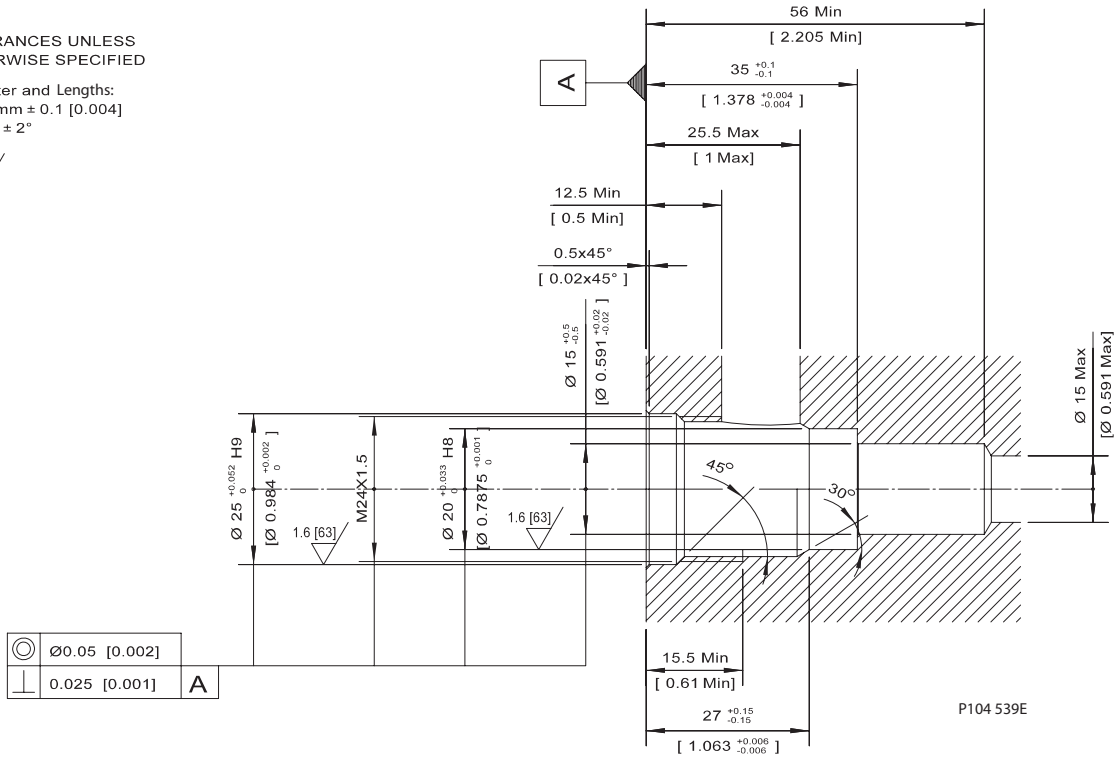
Dimensions

mm [in]

TOLERANCES UNLESS OTHERWISE SPECIFIED

Diameter and Lengths:
if < 18mm ± 0.1 [0.004]
Angles ± 2°

3.2 [125]



⊙	∅0.05 [0.002]	
⊥	0.025 [0.001]	A

Form tools

	Model code	Material number
Finishing tool	VME-07-FT	11027244
Roughing tool	VME-07-RT	11027245

Housings

Order Code	Description	Ports	Page
VME 07-DG-4B	Aluminum Housing	1/2 BSP	20.110
VME 07-DG-8S	Aluminum Housing	SAE #8	20.110
VME 07-LG-4B	Aluminum Housing	1/2 BSP	20.111
VME 07-LG-8S	Aluminum Housing	SAE #8	20.111



Cartridge Valves Technical Information

Cavities

VME08

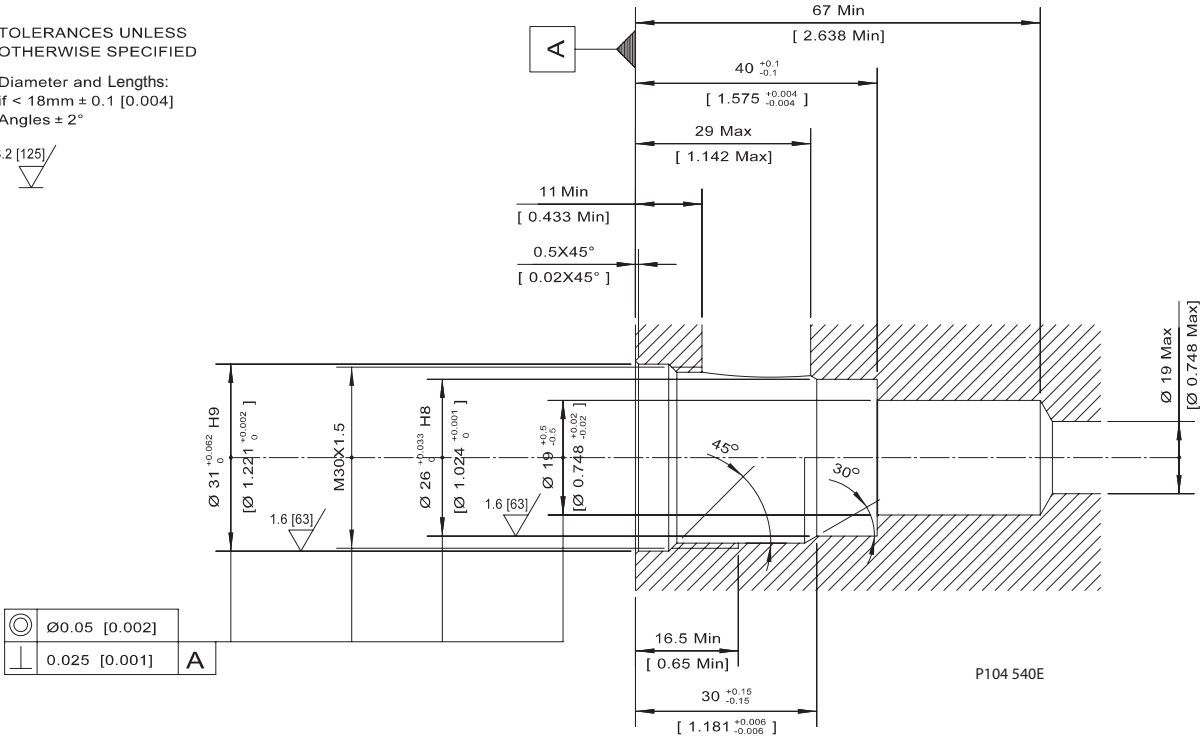
Dimensions

mm [in]

TOLERANCES UNLESS OTHERWISE SPECIFIED

Diameter and Lengths:
if < 18mm ± 0.1 [0.004]
Angles ± 2°

3.2 [125]
▽



Form tools

	Model code	Material number
Finishing tool	VME-08-FT	11027246
Roughing tool	VME-09-RT	11027247

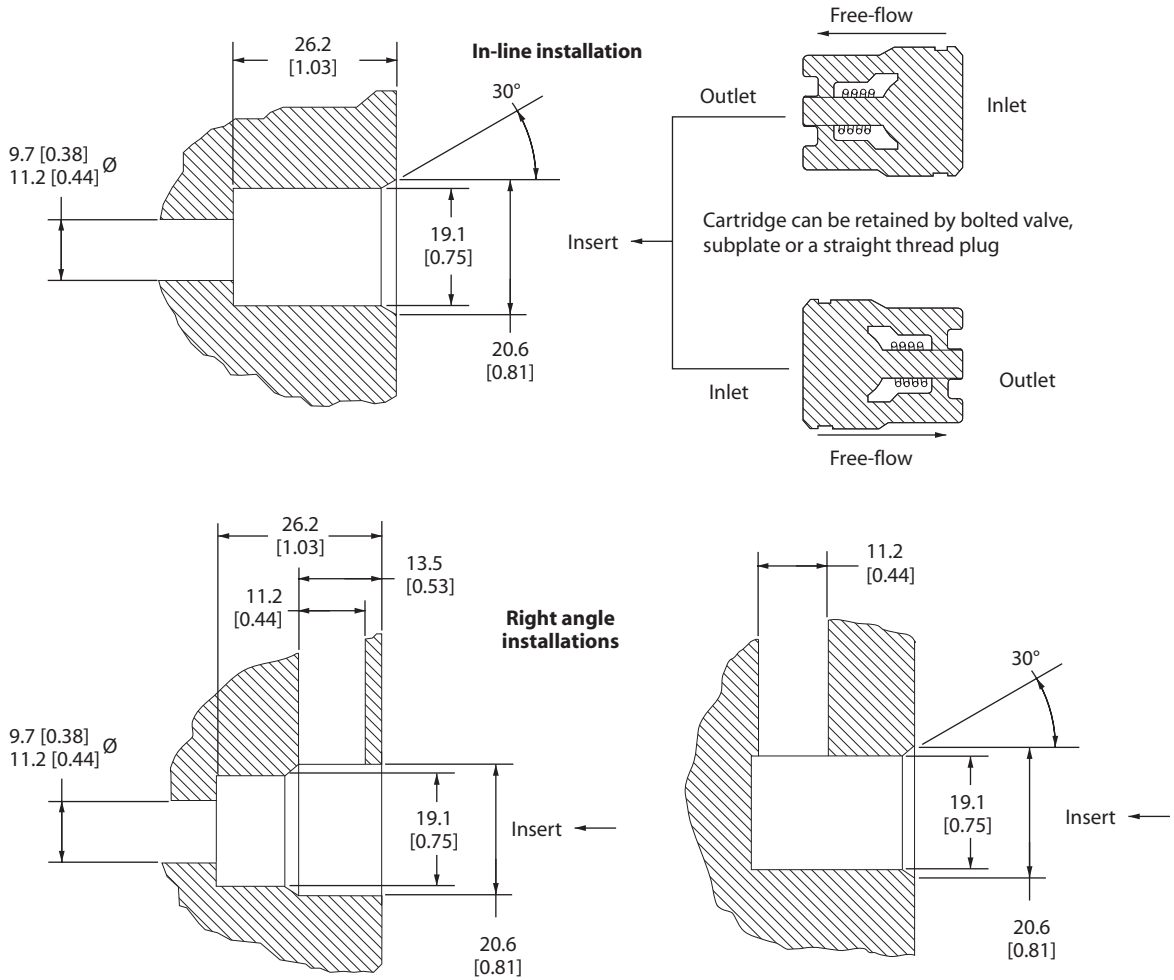
Housings

Order Code	Description	Ports	Page
VME 08-DG-12S	Aluminum Housing	SAE #12	20.113
VME 08-DG-6B	Aluminum Housing	3/4 BSP	20.113
VME 08-LG-12S	Aluminum Housing	SAE #12	20.112
VME 08-LG-6B	Aluminum Housing	3/4 BSP	20.112

Cavities
VME08

Dimensions

mm [in]



Form tools

Roughing tool	FC-144-RT
Finishing tool	FC-144-FT



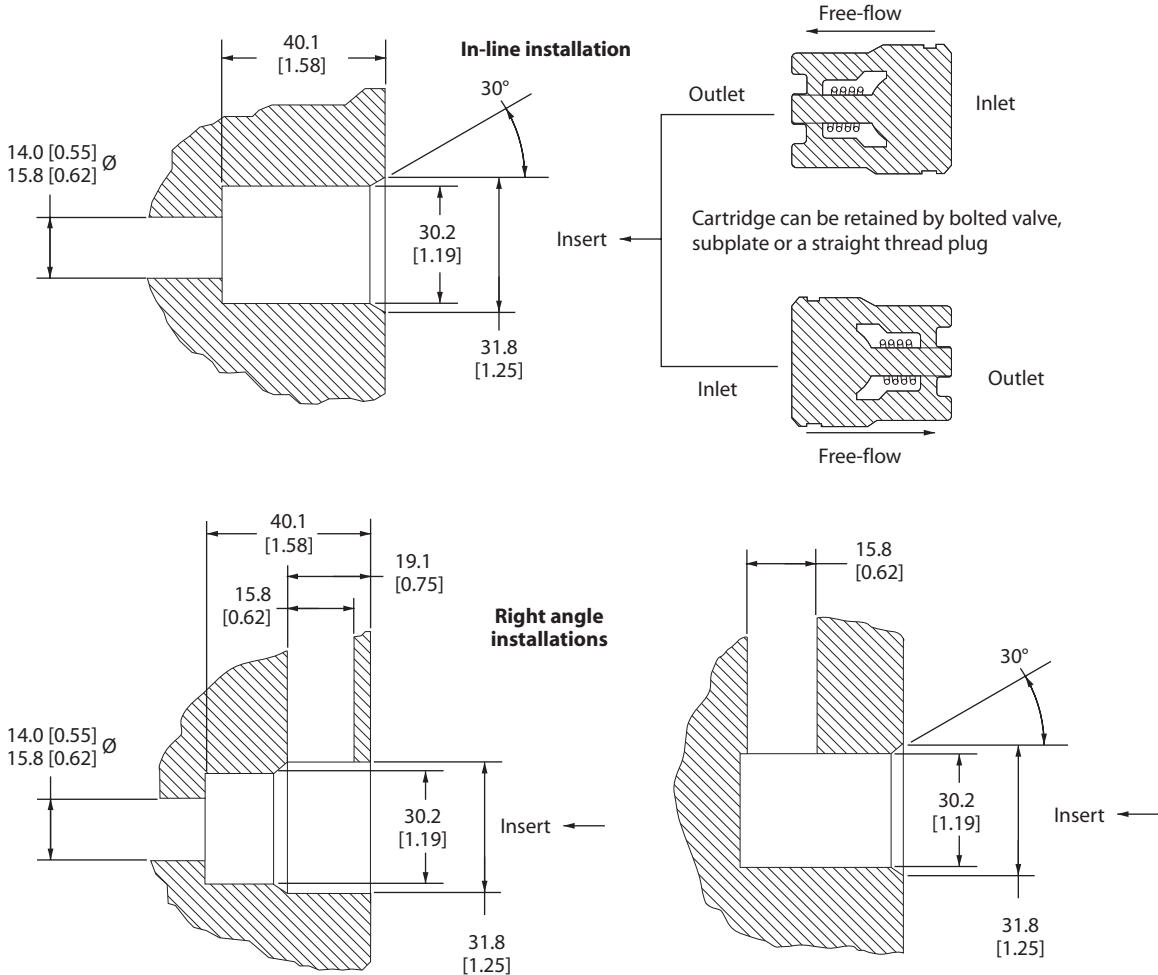
Cartridge Valves Technical Information

Cavities

FC-304

Dimensions

mm [in]



P102 820

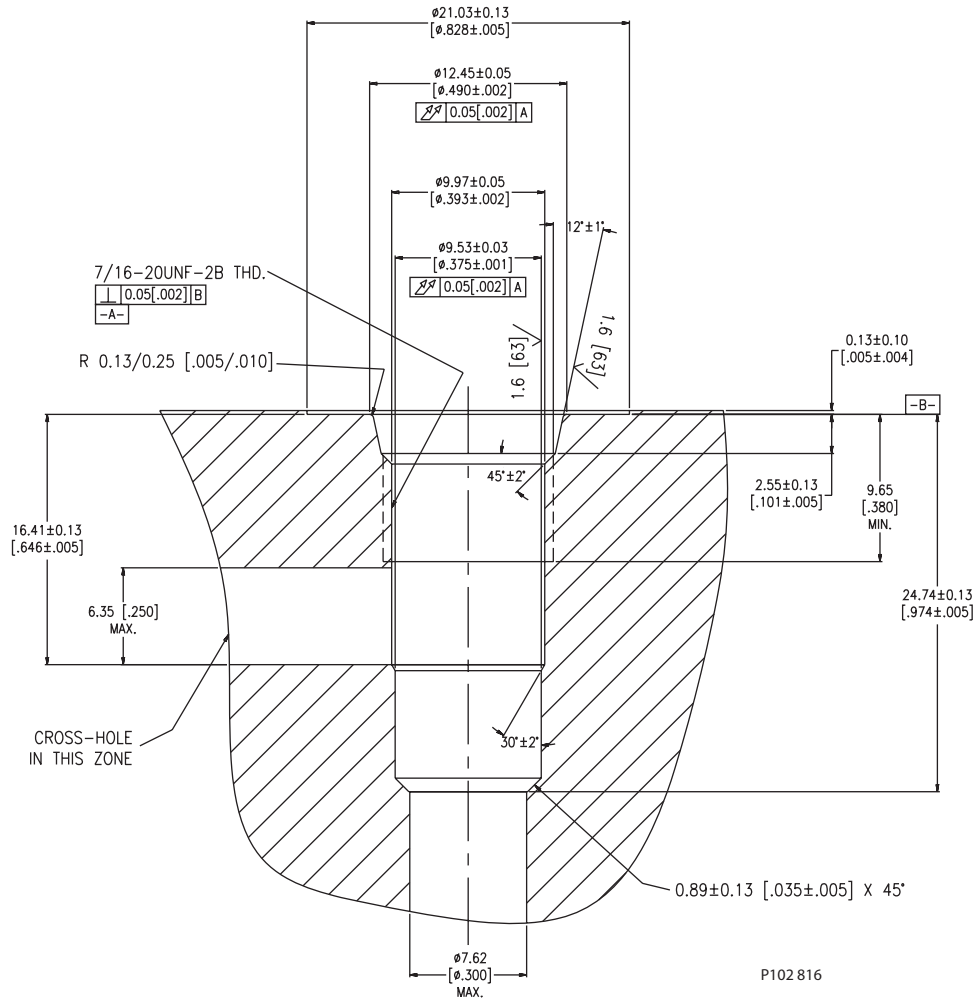
Form tools

Roughing tool	FC-304-RT
Finishing tool	FC-304-FT

FC-304 Cavities

Dimensions

mm [in]



Form tools

	Model code	Material number
Roughing tool	FC-336-RT	11027248

Housings

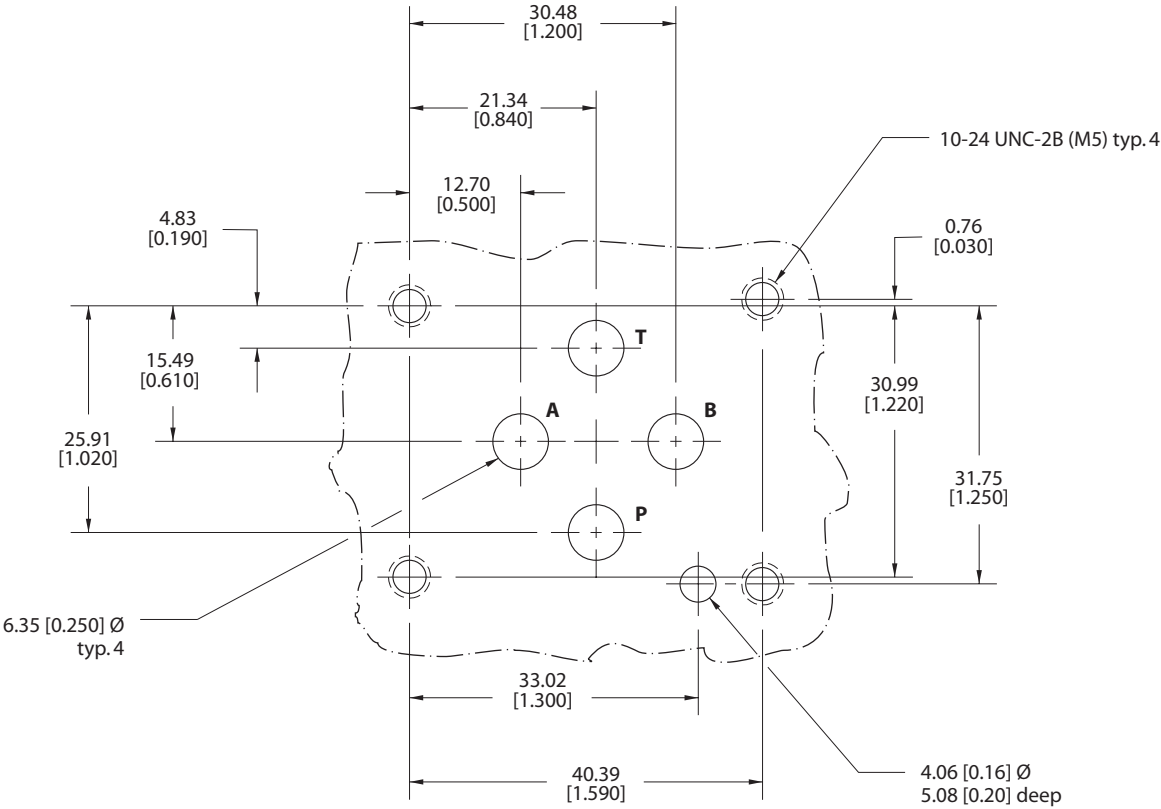
Order Code	Description	Ports	Page
FC336-4S	Aluminum Housing	SAE #4	20.18



Cartridge Valves Technical Information
Cavities
ISO D03

Dimensions

mm [in]



P102 926E

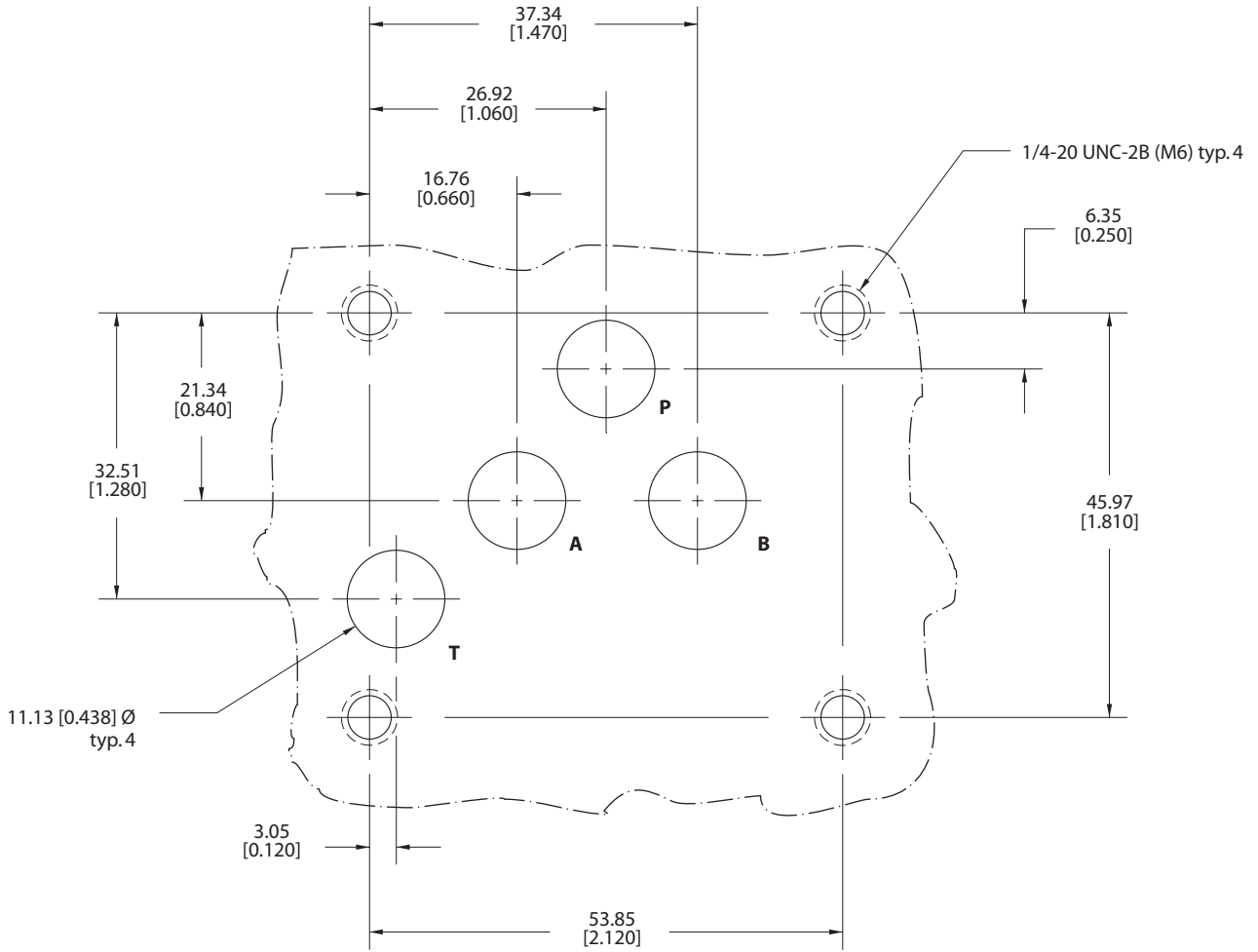
Housings

Order Code	Description	Ports	Page
UDPS-06-AL	ISO D03 Subplate, Aluminum	#8 SAE	20.19
UDPS-06-DI	ISO D03 Subplate, Ductile Iron	#8 SAE	20.19

Cavities
ISO D03

Dimensions

mm [in]



P102 927E

Housings

Order Code	Description	Ports	Page
UDPS-10-AL	ISO D05 Subplate, Aluminum	#8 SAE	20.20
UDPS-10-DI	ISO D05 Subplate, Ductile Iron	#8 SAE	20.20



Cartridge Valves Technical Information

Cavities

Notes

Cartridge Valves Technical Information

Housings

Quick reference

AVAILABLE HOUSINGS

Order code	Cavity	Ports	Page
CP04-2-2B	CP04-2	1/4 BSP	20.6
CP04-2-4S	CP04-2	SAE #4	20.6
CP04-3-2B	CP04-3	1/4 BSP	20.7
CP04-3-4S	CP04-3	SAE #4	20.7
CP07-3-4S	CP07-3	SAE #4	20.8
CP08-3L-3B	CP08-3L	3/8 BSP	20.9
CP08-3L-4S	CP08-3L	SAE #4	20.9
CP08-3L-2B	CP08-3L	1/4 BSP	20.9
CP08-3L-6S	CP08-3L	SAE #6	20.9
CP12-2-6B	CP12-2	3/4 BSP	20.10
CP12-2-S12S	CP12-2	SAE #12	20.10
CP12-2-S10S	CP12-2	SAE #10	20.10
CP12-2-12S	CP12-2	SAE #12	20.10
CP12-2-10S	CP12-2	SAE #10	20.10
CP12-2-4B	CP12-2	1/2 BSP	20.10
CP12-3-4B	CP12-3	1/2 BSP	20.11
CP12-3-S12S	CP12-3	SAE #12	20.11
CP12-3-6B	CP12-3	3/4 BSP	20.11
CP12-3-12S	CP12-3	SAE #12	20.11
CP12-3-10S	CP12-3	SAE #10	20.11
CP12-3-S10S	CP12-3	SAE #10	20.11
CP12-3M-10S	CP12-3M	SAE #10	20.12
CP12-3M-12S	CP12-3M	SAE #12	20.12
CP12-3M-6B	CP12-3M	3/4 BSP	20.12
CP12-3S-6B/2B	CP12-3S	3/4 BSP, 1/4 BSP	20.13
CP12-3S-4B/2B	CP12-3S	1/2 BSP, 1/4 BSP	20.13
CP12-3S-12S/4S	CP12-3S	SAE #12, #4	20.13
CP12-3S-10S/4S	CP12-3S	SAE #10, #4	20.13
CP12-4-3B-X1	CP12-4	3/8 BSP	20.14
CP12-4-8S-X1	CP12-4	SAE #8	20.14
CP12-4-8S/4S	CP12-4	SAE #10, #4	20.14
CP12-4-8S	CP12-4	SAE #8	20.14
CP12-4-10S	CP12-4	SAE #10	20.14
CP12-4-4B	CP12-4	1/2 BSP	20.14
CP12-4-3B	CP12-4	3/8 BSP	20.14
CP12-4-10S-X1	CP12-4	SAE #10	20.14
CP12-4-10S/4S	CP12-4	SAE #10, #4	20.14
CP12-4-4B-X1	CP12-4	1/2 BSP	20.14
CP16-4-12S-X1	CP16-4	SAE #12	20.15
CP16-4-16S-X1	CP16-4	SAE #16	20.15
CP16-4-6B	CP16-4	3/4 BSP	20.16
CP16-4-8B	CP16-4	1 BSP	20.16
CP16-4-12S	CP16-4	SAE #12	20.16
CP16-4-16S	CP16-4	SAE #16	20.16
CP20-3S-10B/2B	CP20-3S	1 1/4 BSP, 1/4 BSP	20.17
CP20-3S-16S/4S	CP20-3S	SAE #16, #4	20.17
CP20-3S-20S/4S	CP20-3S	SAE #20, #4	20.17
CP20-3S-8B/2B	CP20-3S	1 BSP, 1/4 BSP	20.17
FC336-4S	FC-336	SAE #4	20.18
UDPS-06-AL	ISO D03	#8 SAE	20.19
UDPS-06-DI	ISO D03	#8 SAE	20.19
UDPS-10-AL	ISO D05	#8 SAE	20.20

Cartridge Valves Technical Information

Housings

Quick reference

AVAILABLE HOUSINGS

Order code	Cavity	Ports	Page
UDPS-10-DI	ISO D05	#8 SAE	20.20
NCS04/2-LG2-1/4	NCS04/2	1/4 BSP	20.21
NCS04/2-LG2-6S	NCS04/2	SAE #6	20.21
NCS04/2-LG2-4S	NCS04/2	SAE #4	20.21
NCS04/2-DG-6S	NCS04/2	SAE #6	20.22
NCS04/2-DG-1/4	NCS04/2	1/4 BSP	20.22
NCS04/2-DG-4S	NCS04/2	SAE #4	20.22
NCS04/2-LG1-6S	NCS04/2	SAE #6	20.23
NCS04/2-LG1-1/4	NCS04/2	1/4 BSP	20.23
NCS04/2-LG1-4S	NCS04/2	SAE #4	20.23
NCS04/3-SE-1/4	NCS04/3	1/4 BSP	20.24
NCS04/3-SI-1/4	NCS04/3	1/4 BSP	20.25
NCS04/3-DI-1/4	NCS04/3	1/4 BSP	20.26
NCS04/3-DI-3/8	NCS04/3	3/8 BSP	20.26
NCS04/3-DL-1/4	NCS04/3	1/4 BSP	20.27
NCS04/3-DL-4S	NCS04/3	SAE #4	20.27
NCS04/3-DL-6S	NCS04/3	SAE #6	20.27
NCS04/3-SE-4S	NCS04/3	SAE #4	20.28
NCS04/3-SE-6S	NCS04/3	SAE #6	20.28
NCS04/3-SI-4S	NCS04/3	SAE #4	20.29
NCS04/3-SI-6S	NCS04/3	SAE #6	20.29
NCS04/3-L-6S	NCS04/4	SAE #6	20.30
NCS04/4-L-1/4	NCS04/4	1/4 BSP	20.31
NCS04/4-L-4S	NCS04/4	SAE #4	20.31
NCS06/2-LG2-8S	NCS06/2	SAE #8	20.32
NCS06/2-LG2-1/2	NCS06/2	1/2 BSP	20.32
NCS06/2-DG-3/8	NCS06/2	3/8 BSP	20.33
NCS06/2-DG-6S	NCS06/2	SAE #6	20.33
NCS06/2-DG-1/2	NCS06/2	1/2 BSP	20.34
NCS06/2-DG-8S	NCS06/2	SAE #8	20.34
NCS06/2-LG2-6S	NCS06/2	SAE #6	20.35
NCS06/2-LG2-3/8	NCS06/2	3/8 BSP	20.35
NCS06/2-LG1-1/2	NCS06/2	1/2 BSP	20.36
NCS06/2-LG1-8S	NCS06/2	SAE #8	20.36
NCS06/2-LG1-3/8	NCS06/2	3/8 BSP	20.37
NCS06/3-DL-1/2	NCS06/3	1/2 BSP	20.38
NCS06/3-DL-8S	NCS06/3	SAE #8	20.38
NCS06/3-LD-6S	NCS06/3	SAE #6	20.39
NCS06/3-LD-8S	NCS06/3	SAE #8	20.40
NCS06/3-SE-8S	NCS06/3	SAE #8	20.41
NCS06/3-SE-1/2	NCS06/3	1/2 BSP	20.41
NCS06/3-SE-3/8	NCS06/3	3/8 BSP	20.42
NCS06/3-SE-6S	NCS06/3	SAE #6	20.42
NCS06/3-SI-3/8	NCS06/3	3/8 BSP	20.43
NCS06/3-SI-6S	NCS06/3	SAE #6	20.43
NCS06/3-SI-1/2	NCS06/3	1/2 BSP	20.44
NCS06/3-SI-8S	NCS06/3	SAE #8	20.44
NCS06/3-DL-6S	NCS06/3	SAE #6	20.45
NCS06/3-DL-3/8	NCS06/3	3/8 BSP	20.45
NCS06/4-LD-3/8	NCS06/4	3/8 BSP	20.46
NCS06/4-L-1/2	NCS06/4	1/2 BSP	20.47
NCS06/4-L-8S	NCS06/4	SAE #8	20.47

Cartridge Valves Technical Information

Housings

Quick reference

AVAILABLE HOUSINGS

Order code	Cavity	Ports	Page
NCS06/4-LD-1/2	NCS06/4	1/2 BSP	20.48
NCS06/4-L-3/8	NCS06/4	3/8 BSP	20.49
NCS06/4-L-6S	NCS06/4	SAE #6	20.49
NCS12/2-DG-12S	NCS12/2	SAE #12	20.50
NCS12/2-DG-3/4	NCS12/2	3/4 BSP	20.50
NCS12/2-DG-8S	NCS12/2	SAE #8	20.50
NCS12/2-DG-1/2	NCS12/2	1/2 BSP	20.50
NCS12/2-LG1-8S	NCS12/2	SAE #8	20.51
NCS12/2-LG1-12S	NCS12/2	SAE #12	20.51
NCS12/2-LG2-12S	NCS12/2	SAE #12	20.52
NCS12/2-LG2-3/4	NCS12/2	3/4 BSP	20.52
NCS12/2-LG2-8S	NCS12/2	SAE #8	20.52
NCS12/2-LG2-1/2	NCS12/2	1/2 BSP	20.52
NCS12/3-DL-12S	NCS12/3	SAE #12	20.53
NCS12/3-DL-8S	NCS12/3	SAE #8	20.53
NCS12/3-DL-1/2	NCS12/3	1/2 BSP	20.54
NCS12/3-DL-3/4	NCS12/3	3/4 BSP	20.55
NCS12/3-SE-12S	NCS12/3	SAE #12	20.56
NCS12/3-SE-3/4	NCS12/3	3/4 BSP	20.56
NCS12/3-SE-1	NCS12/3	1/2 BSP	20.56
NCS12/3-SE-8S	NCS12/3	SAE #8	20.56
NCS12/3-SI-1	NCS12/3	1/2 BSP	20.57
NCS12/3-SI-12S	NCS12/3	SAE #12	20.57
NCS12/3-SI-3/4	NCS12/3	3/4 BSP	20.57
NCS12/3-SI-8S	NCS12/3	SAE #8	20.57
NCS12/4-L-1	NCS12/4	1/2 BSP	20.58
NCS12/4-L-3/4	NCS12/4	3/4 BSP	20.58
NCS12/4-HD-1	NCS12/4	1/2 BSP	20.59
NCS12/4-L-12S	NCS12/4	SAE #12	20.60
CP08-2-8S-2PL	SDC08-2	SAE #8	20.61
SDC08-2-DG-2B	SDC08-2	1/4 BSP	20.62
SDC08-2-DG-3B	SDC08-2	3/8 BSP	20.63
SDC08-2-HG1-3B	SDC08-2	3/8 BSP	20.64
SDC08-2-HG2-3B	SDC08-2	3/8 BSP	20.65
SDC08-2-HG-2B	SDC08-2	1/4 BSP	20.66
SDC08-2-HG-3B	SDC08-2	3/8 BSP	20.67
SDC08-2-LG1-3B	SDC08-2	3/8 BSP	20.68
SDC08-2-LG2-3B	SDC08-2	3/8 BSP	20.69
CP08-2-8S-2CR	SDC08-2	SAE #8	20.70
CP08-2-6S-2CR	SDC08-2	SAE #6	20.71
CP08-2-4S	SDC08-2	SAE #4	20.72
CP08-2-6S	SDC08-2	SAE #6	20.73
CP08-2-54S	SDC08-2	SAE #4	20.74
SDC08-3-HI-2B	SDC08-3	1/4 BSP	20.75
SDC08-3-SE-2B	SDC08-3	1/4 BSP	20.76
SDC08-3-SE-3B	SDC08-3	3/8 BSP	20.77
CP08-3-56S	SDC08-3	SAE #6	20.69
CP08-3-54S	SDC08-3	SAE #4	20.69
CP08-3-6S	SDC08-3	SAE #6	20.69
CP08-3-4S	SDC08-3	SAE #4	20.69
CP08-4-6S	SDC08-4	SAE #6	20.70

Cartridge Valves Technical Information

Housings

Quick reference

AVAILABLE HOUSINGS

Order code	Cavity	Ports	Page
CP08-4-4S	SDC08-4	SAE #4	20.70
SDC08-4-L-2B	SDC08-4	1/4 BSP	20.71
CP10-2-8S-2PL	SDC10-2	SAE #8	20.72
SDC10-2-DG-4B	SDC10-2	1/2 BSP	20.73
CP10-2-10S-2CR	SDC10-2	SAE #10	20.74
CP10-2-S8S	SDC10-2	SAE #8	20.75
CP10-2-8S	SDC10-2	SAE #8	20.75
CP10-2-6S	SDC10-2	SAE #6	20.75
CP10-2-S6S	SDC10-2	SAE #6	20.75
SDC10-2-LG1-4B	SDC10-2	1/2 BSP	20.76
SDC10-2-DG-3B	SDC10-2	3/8 BSP	20.77
SDC10-2-LG2-4B	SDC10-2	1/2 BSP	20.78
CP10-3-6S	SDC10-3	SAE #6	20.79
CP10-3-8S	SDC10-3	SAE #8	20.79
CP10-3-S6S	SDC10-3	SAE #6	20.79
CP10-3-S8S	SDC10-3	SAE #8	20.79
SDC10-3-SI-3B	SDC10-3	3/8 BSP	20.80
SDC10-3-SI-4B	SDC10-3	1/2 BSP	20.81
SDC10-3-SE-4B	SDC10-3	1/2 BSP	20.82
SDC10-3-SE-3B	SDC10-3	3/8 BSP	20.83
SDC10-3S-SE-3B	SDC10-3S	3/8 BSP	20.84
SDC10-3S-SE-4B	SDC10-3S	1/2 BSP	20.84
SDC10-3S-10S/6S	SDC10-3S	SAE #10	20.85
SDC10-3S-8S/6S	SDC10-3S	SAE #8	20.85
SDC10-3S-6S/6S	SDC10-3S	SAE #6	20.85
CP10-4-S8S	SDC10-4	SAE #8	20.86
CP10-4-8S-X1	SDC10-4	SAE #8	20.86
CP10-4-S6S	SDC10-4	SAE #6	20.86
CP10-4-6S-X1	SDC10-4	SAE #6	20.86
CP10-4-6S	SDC10-4	SAE #6	20.86
CP10-4-8S	SDC10-4	SAE #8	20.86
SDC10-4-HD-3B	SDC10-4	3/8 BSP	20.87
SDC10-4-L-3B	SDC10-4	3/8 BSP	20.88
SDC10-4-L-4B	SDC10-4	1/2 BSP	20.89
SDC12-2-DG-6B	SDC12-2	3/4 BSP	20.90
SDC12-2-12S	SDC12-2	#12 SAE	20.91
SDC12-2-10S	SDC12-2	#10 SAE	20.91
SDC12-2-LG2-6B	SDC12-2	3/4 BSP	20.92
SDC12-2-LG1-6B	SDC12-2	3/4 BSP	20.93
SDC12-2-DG-4B	SDC12-2	1/2 BSP	20.94
SDC16-2-HG1-8B	SDC16-2	1 BSP	20.95
CP16-2-16S	SDC16-2	SAE #16	20.96
CP16-2-12S	SDC16-2	SAE #12	20.96
CP16-2-S16S	SDC16-2	SAE #16	20.96
SDC16-2-HG-8B	SDC16-2	1 BSP	20.97
SDC16-2-HG-6B	SDC16-2	3/4 BSP	20.98
SDC16-2-HG2-8B	SDC16-2	1 BSP	20.99
SDC16-3-HE-8B	SDC16-3	1 BSP	20.100
SDC16-3-HE-6B	SDC16-3	3/4 BSP	20.101
SDC16-3-HI-8B	SDC16-3	1 BSP	20.102
CP16-3-12S	SDC16-3	SAE #12	20.103
CP16-3-16S	SDC16-3	SAE #16	20.103

Cartridge Valves Technical Information

Housings

Quick reference

AVAILABLE HOUSINGS

Order code	Cavity	Ports	Page
CP20-2-16S	SDC20-2	SAE #16	20.105
CP20-2-16S	SDC20-2	SAE #16	20.105
CP16-3S-6B/2B	SDC16-3S	3/4 BSP, 1/4 BSP	20.104
CP16-3S-12S/4S	SDC16-3S	SAE #12, #4	20.104
CP20-2-16S	SDC20-2	SAE #16	20.105
CP20-2-20S	SDC20-2	SAE #20	20.105
CP20-2-8B	SDC20-2	1 BSP	20.105
CP20-2-10B	SDC20-2	1 1/4 BSP	20.105
CP20-3-20S	SDC20-3	SAE #20	20.106
CP20-3-8B/2B1	SDC20-3	1 BSP, 1/4 BSP	20.106
CP20-3-20S/4S1	SDC20-3	SAE #20, #4	20.106
CP20-3-16S/4S1	SDC20-3	SAE #16, #4	20.106
CP20-3-16S	SDC20-3	SAE #16	20.106
CP20-3-10B/2B1	SDC20-3	1 1/4 BSP, 1/4 BSP	20.106
CP20-3-10B	SDC20-3	1 1/4 BSP	20.106
CP20-3-8B	SDC20-3	1 BSP	20.106
CP20-4-20S	SDC20-4	SAE #20	20.107
CP20-4-516S-X1	SDC20-4	SAE #16	20.107
CP20-4-516S	SDC20-4	SAE #16	20.107
CP20-4-8B-X1	SDC20-4	1 BSP	20.107
CP20-4-8B	SDC20-4	1 BSP	20.107
CP20-4-16S-X1	SDC20-4	SAE #16	20.107
CP20-4-20S/4S	SDC20-4	SAE #20, #4	20.107
CP20-4-10B	SDC20-4	1 1/4 BSP	20.107
CP20-4-20S-X1	SDC20-4	SAE #20	20.107
CP20-4-10B-X1	SDC20-4	1 1/4 BSP	20.107
CP20-4-16S	SDC20-4	SAE #16	20.107
CP20-4-16S/4S	SDC20-4	SAE #16, #4	20.107
VME 06-LG-3B	VME06	3/8 BSP	20.108
VME 06-LG-6S	VME06	SAE #6	20.108
VME 06-DG-3B	VME06	3/8 BSP	20.109
VME 06-DG-6S	VME06	SAE #6	20.109
VME 07-DG-4B	VME07	1/2 BSP	20.110
VME 07-DG-8S	VME07	SAE #8	20.110
VME 07-LG-4B	VME07	1/2 BSP	20.111
VME 07-LG-8S	VME07	SAE #8	20.111
VME 08-LG-6B	VME08	3/4 BSP	20.112
VME 08-LG-12S	VME08	SAE #12	20.112
VME 08-DG-6B	VME08	3/4 BSP	20.113
VME 08-DG-12S	VME08	SAE #12	20.113

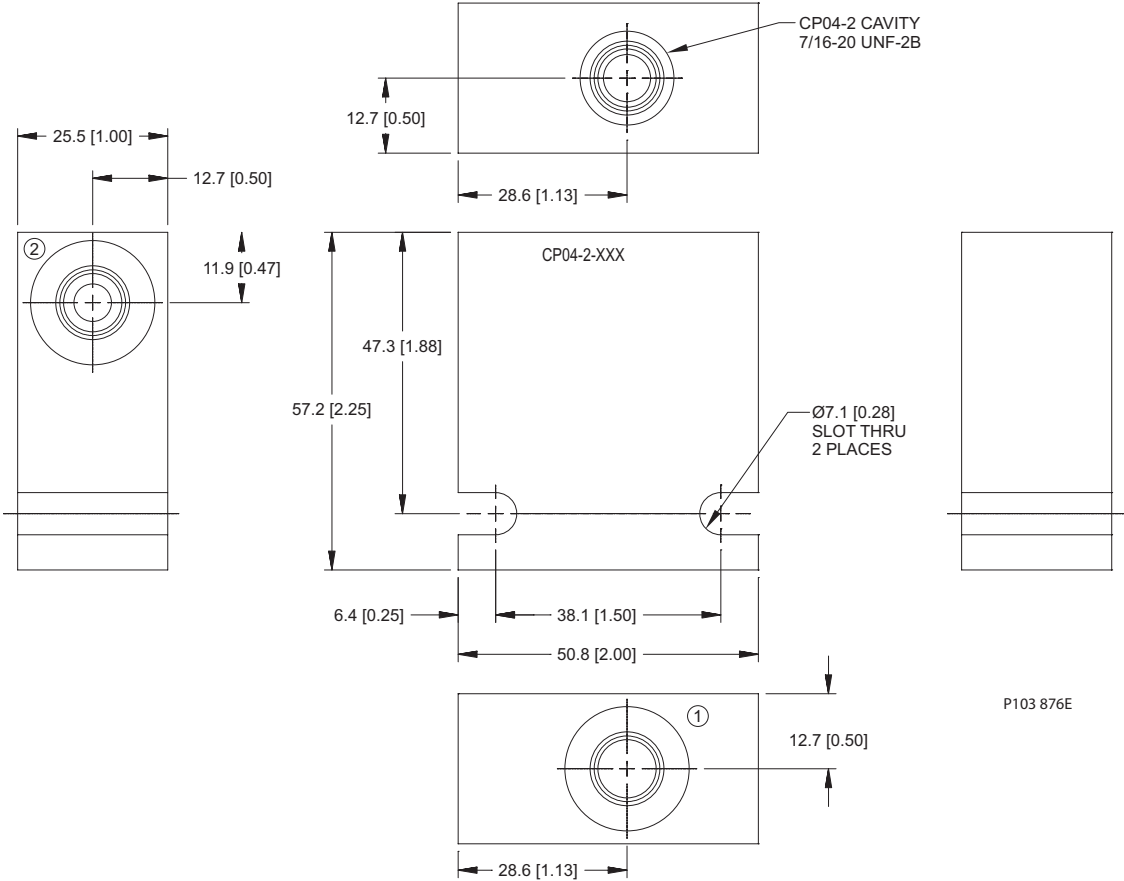


Cartridge Valves Technical Information

Housings

CP04-2 (Standard)

Housing drawing



Options

Order Code	Description	Style	Ports
CP04-2-2B	Aluminum Housing	Standard	1/4 BSP
CP04-2-4S	Aluminum Housing	Standard	SAE #4

CP04-2 (Standard) Housings

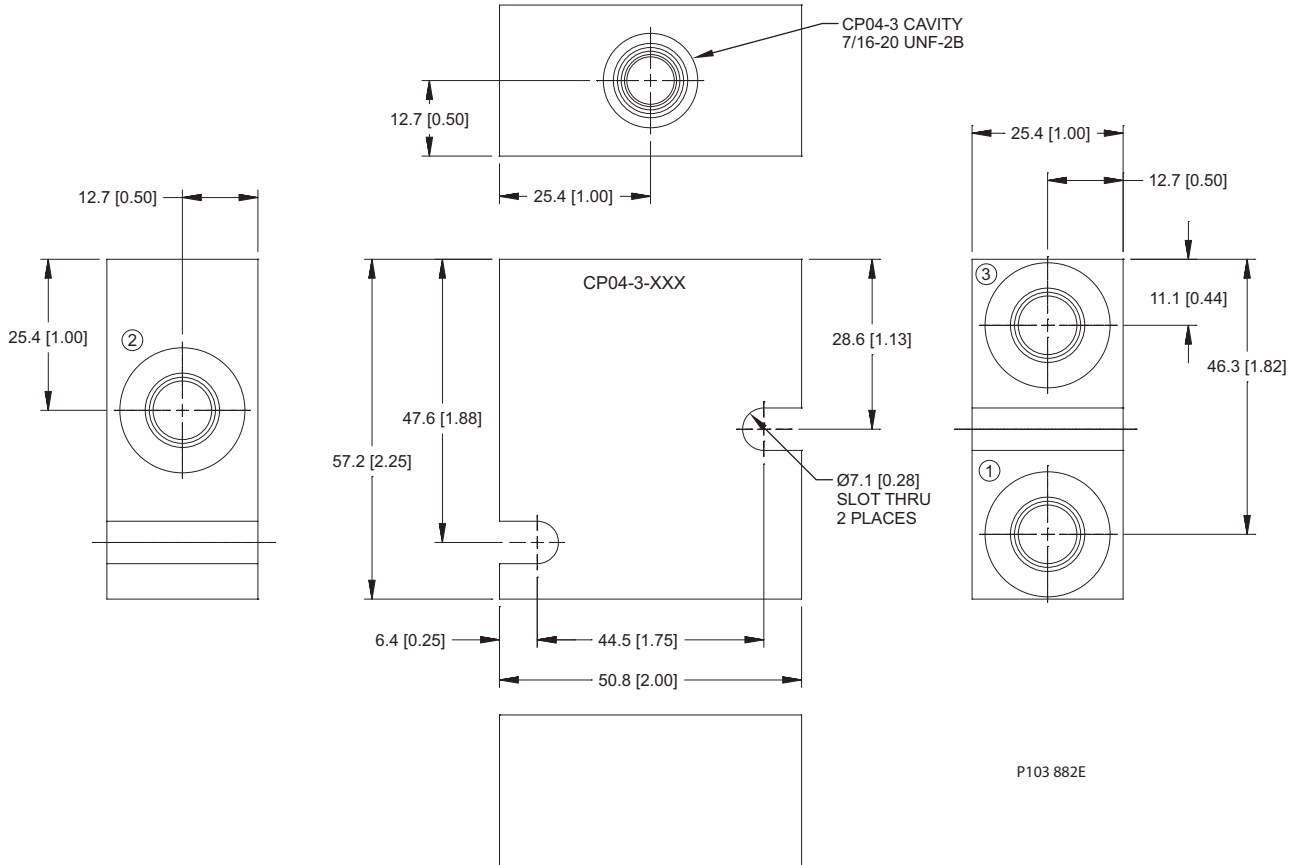


Cartridge Valves Technical Information

Housings

CP04-3 (Standard)

Dimensions



Options

Order Code	Description	Style	Ports
CP04-3-2B	Aluminum Housing	Standard	1/4 BSP
CP04-3-4S	Aluminum Housing	Standard	SAE #4

CP04-3 (Standard)
Housing

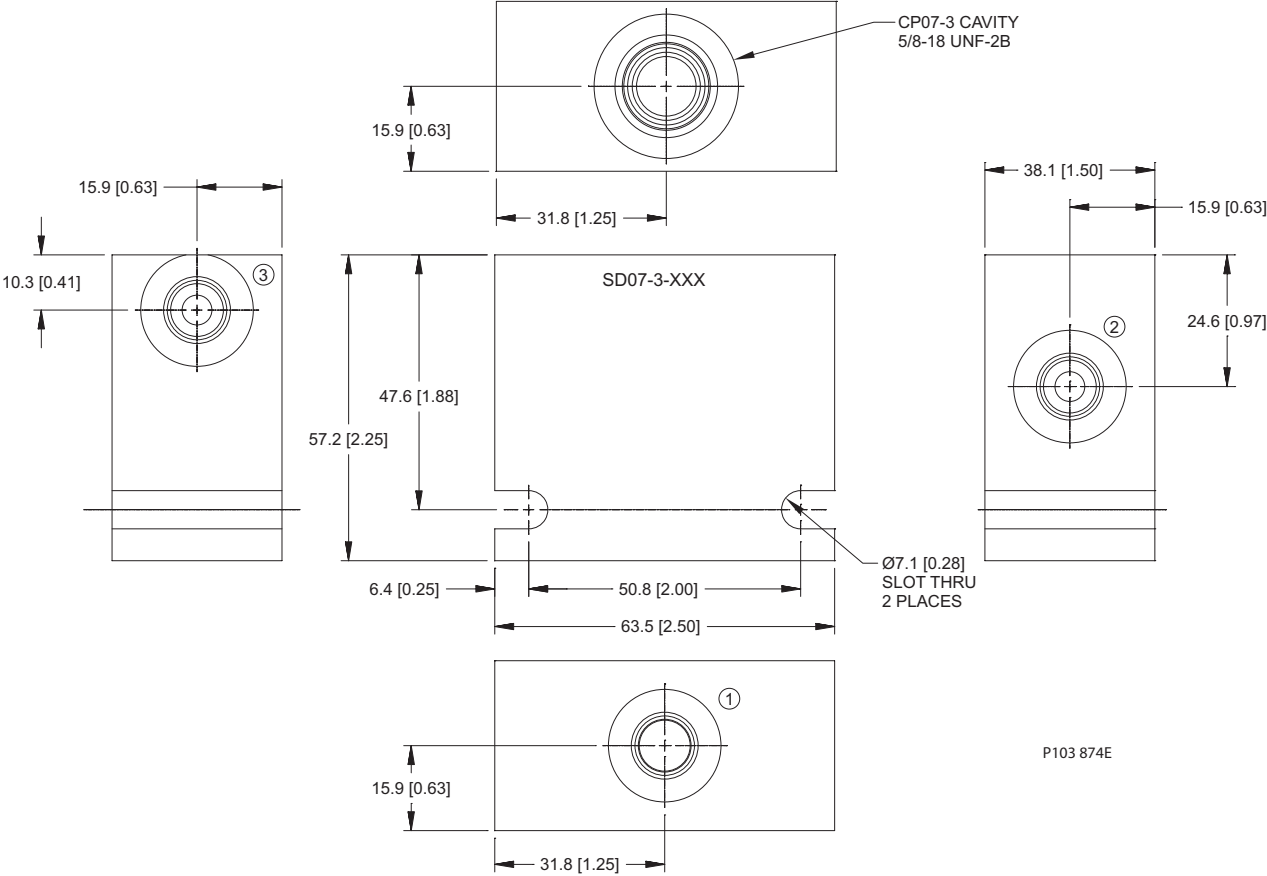


Cartridge Valves Technical Information

Housings

CP07-3 (Standard)

Housing drawing



Options

Order Code	Description	Style	Ports
CP07-3-4S	Aluminum Housing	Standard	SAE #4

CP07-3 (Standard)
 Housings

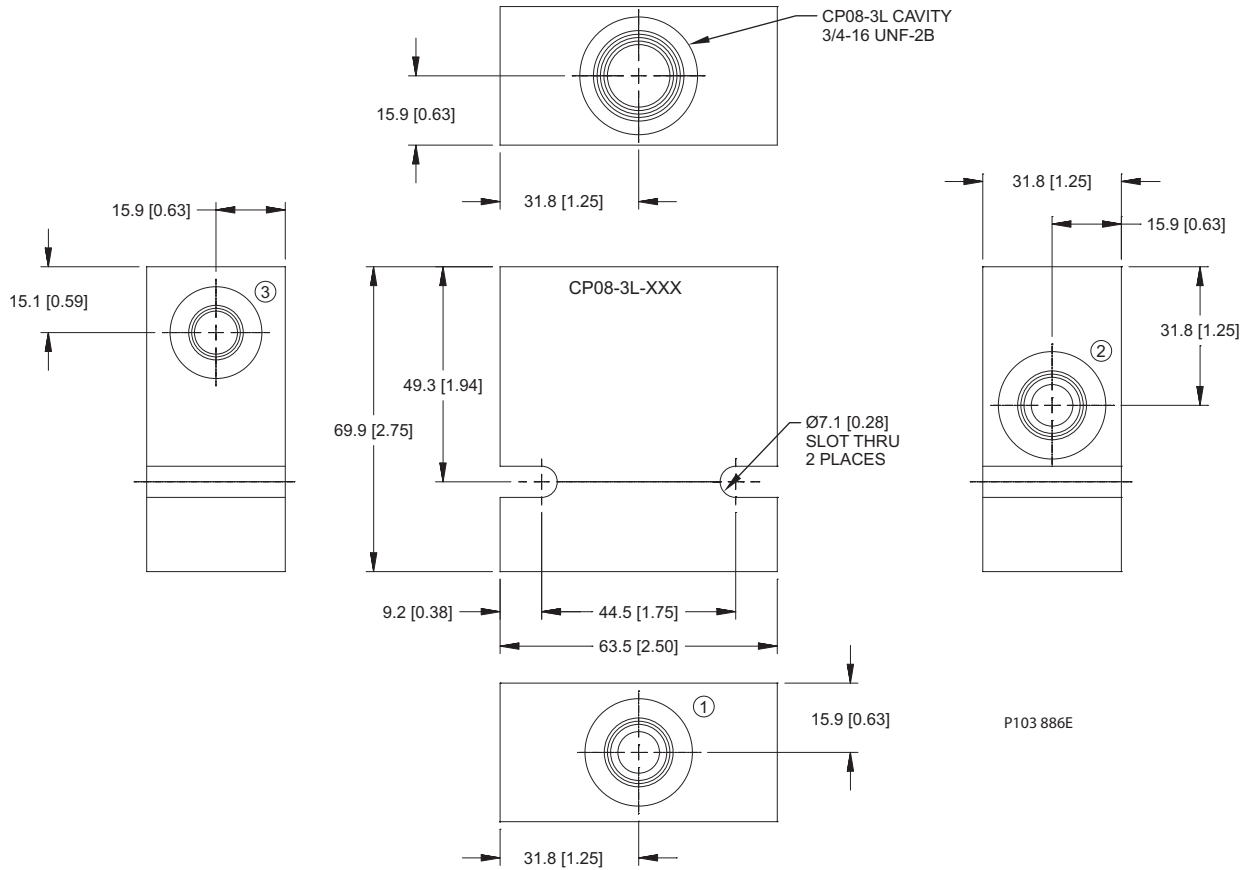


Cartridge Valves Technical Information

Housings

CP08-3L (Standard)

Dimensions



Options

Order Code	Description	Style	Ports
CP08-3L-2B	Aluminum Housing	Standard	1/4 BSP
CP08-3L-3B	Aluminum Housing	Standard	3/8 BSP
CP08-3L-4S	Aluminum Housing	Standard	SAE #4
CP08-3L-6S	Aluminum Housing	Standard	SAE #6

Housings CP08-3L (Standard)

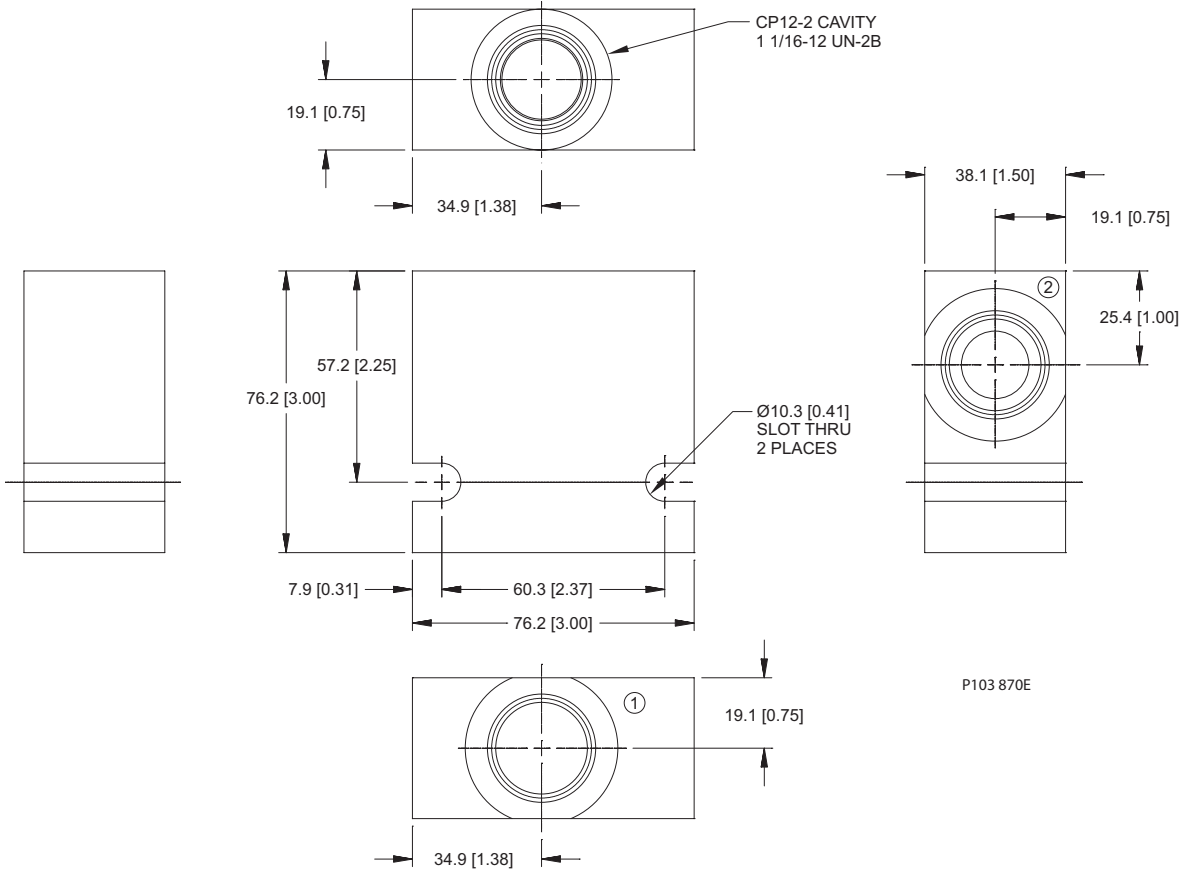


Cartridge Valves Technical Information

Housings

CP12-2 (Standard)

Housing drawing



Options

Order Code	Description	Style	Ports
CP12-2-10S	Aluminum Housing	Standard	SAE #10
CP12-2-12S	Aluminum Housing	Standard	SAE #12
CP12-2-4B	Aluminum housing	Standard	1/2 BSP
CP12-2-6B	Aluminum housing	Standard	3/4 BSP
CP12-2-S10S	Steel Housing	Standard	SAE #10
CP12-2-S12S	Steel Housing	Standard	SAE #12

CP12-2 (Standard) Housings

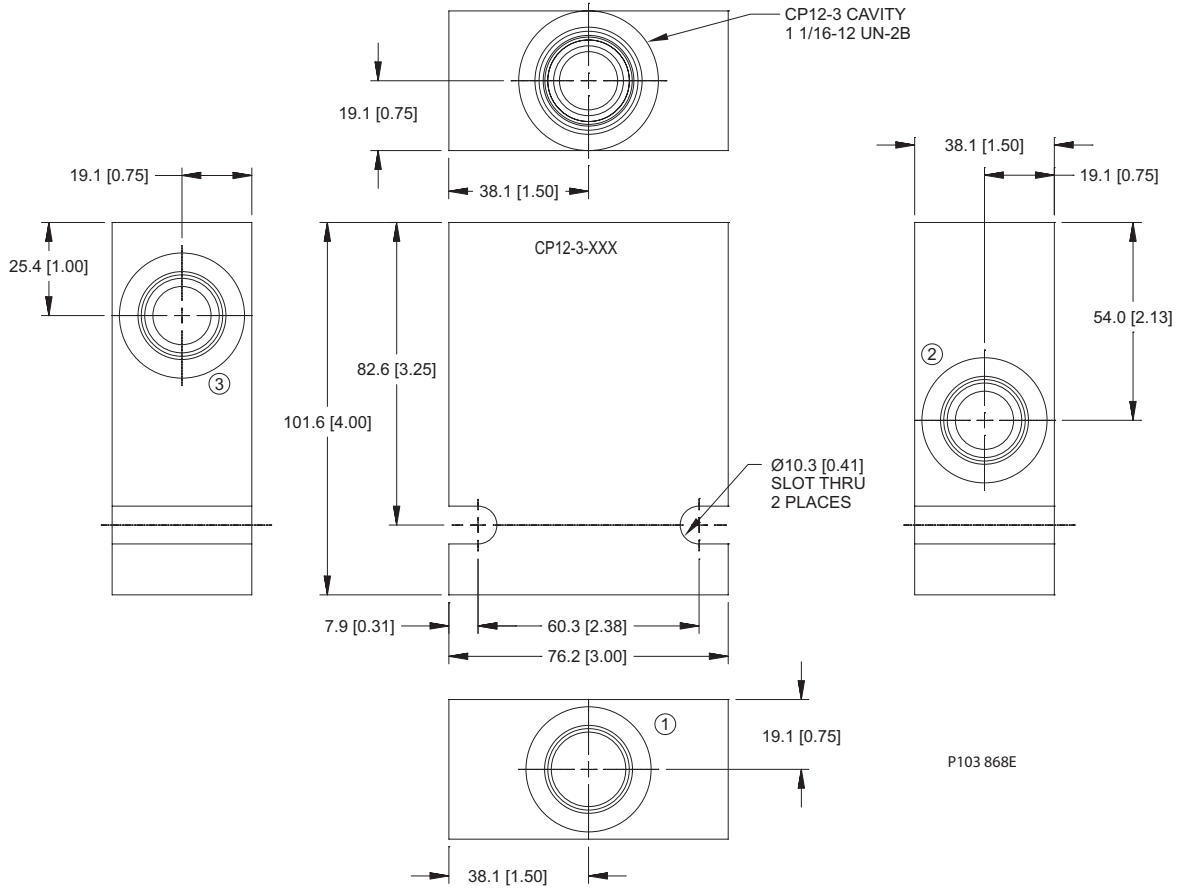


Cartridge Valves Technical Information

Housings

CP12-3 (Standard)

Dimensions



Options

Order Code	Description	Style	Ports
CP12-3-10S	Aluminum Housing	Standard	SAE #10
CP12-3-12S	Aluminum Housing	Standard	SAE #12
CP12-3-4B	Aluminum Housing	Standard	1/2 BSP
CP12-3-6B	Aluminum Housing	Standard	3/4 BSP
CP12-3-S10S	Steel Housing	Standard	SAE #10
CP12-3-S12S	Steel Housing	Standard	SAE #12

CP12-3 (Standard)
Housings

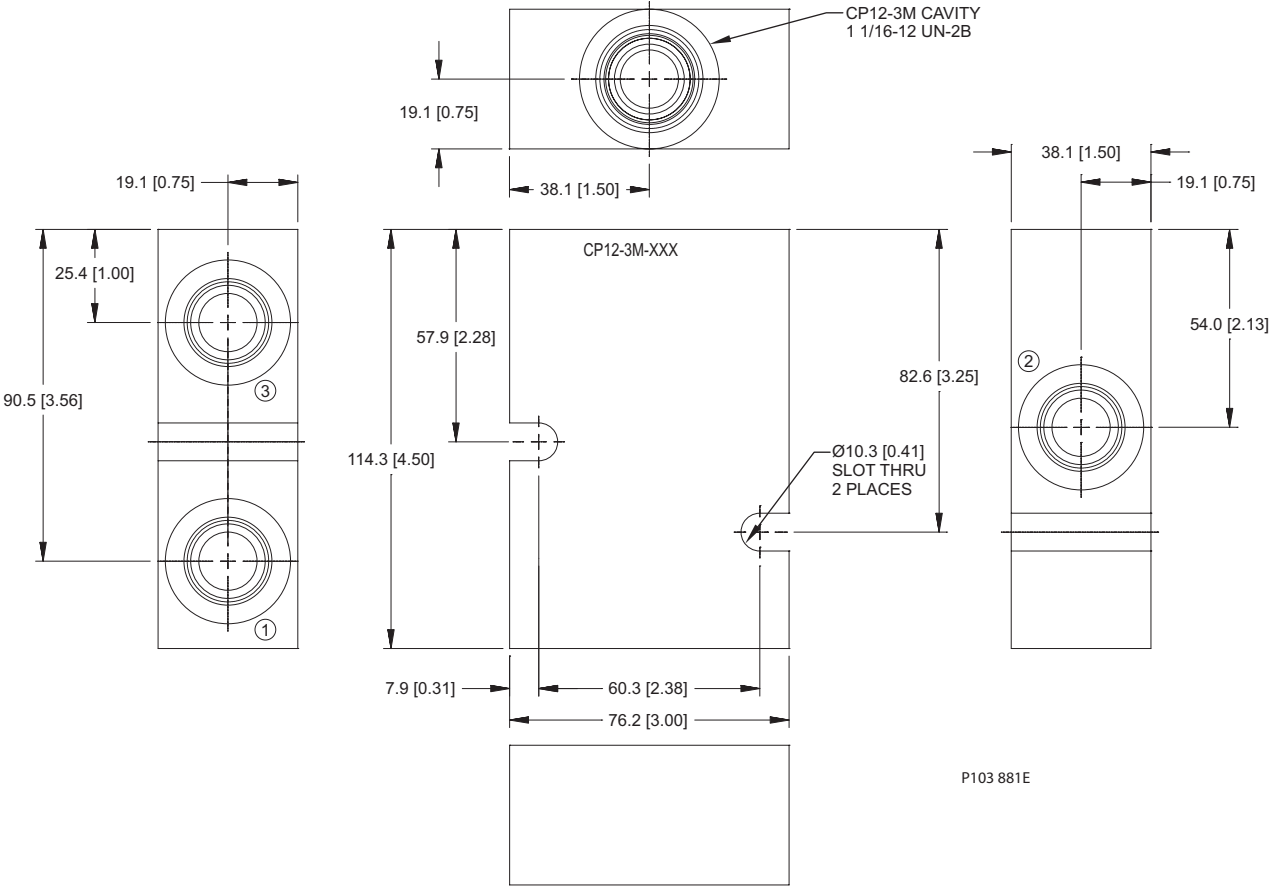


Cartridge Valves Technical Information

Housings

CP12-3M (Standard)

Housing drawing



Options

Order Code	Description	Style	Ports
CP12-3M-10S	Aluminum Housing	Standard	SAE #10
CP12-3M-12S	Aluminum Housing	Standard	SAE #12
CP12-3M-6B	Aluminum Housing	Standard	3/4 BSP

CP12-3M (Standard) Housings

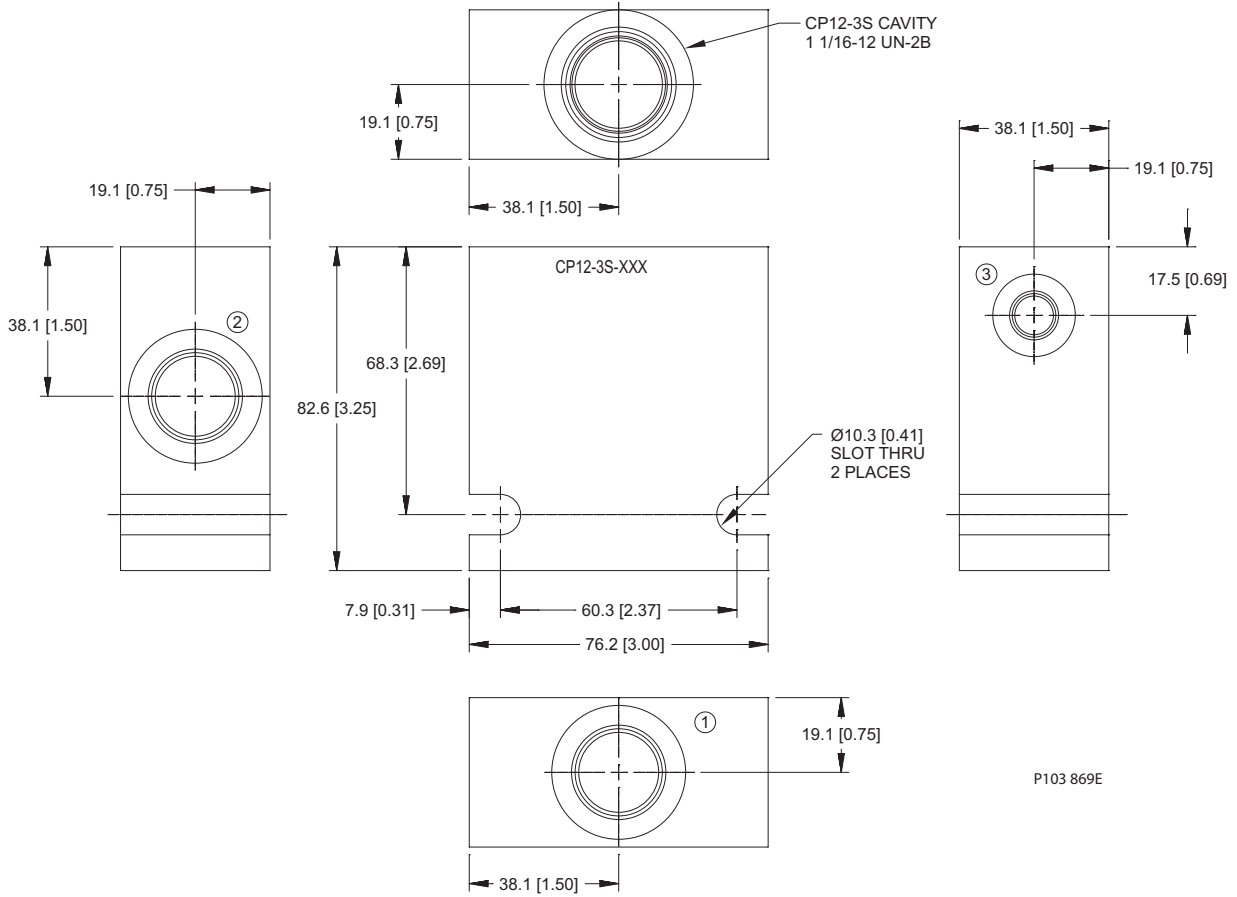


Cartridge Valves Technical Information

Housings

CP12-3S (Standard)

Dimensions



Options

Order Code	Description	Style	Ports
CP12-3S-10S/4S	Aluminum Housing, Pilot at Port #3	Standard	SAE #10, #4
CP12-3S-12S/4S	Aluminum Housing, Pilot at Port #3	Standard	SAE #12, #4
CP12-3S-4B/2B	Aluminum Housing, Pilot at Port #3	Standard	1/2 BSP, 1/4 BSP
CP12-3S-6B/2B	Aluminum Housing, Pilot at Port #3	Standard	3/4 BSP, 1/4 BSP

CP12-3S (Standard) Housing

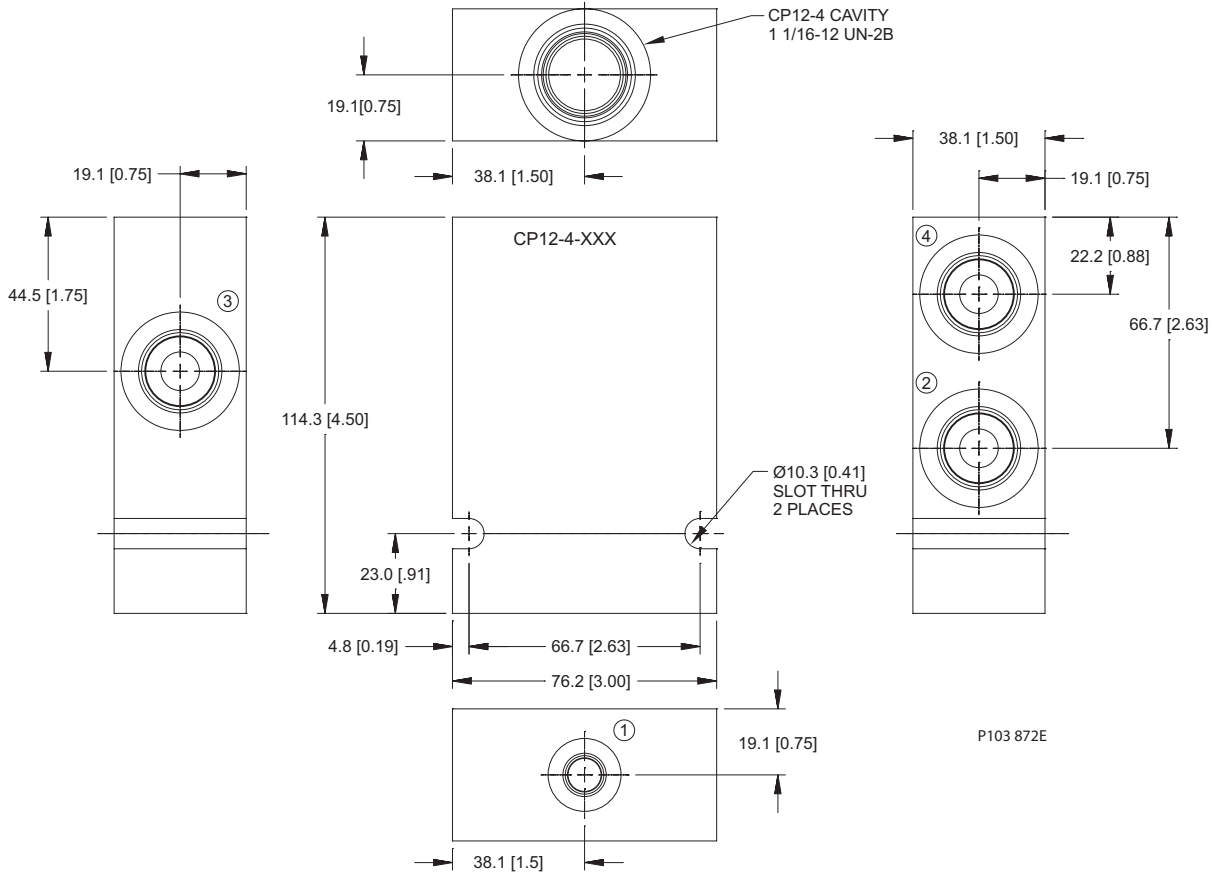


Cartridge Valves Technical Information

Housings

CP12-4 (Standard)

Housing drawing



Options

Order Code	Description	Style	Ports
CP12-4-10S	Aluminum Housing	Standard	SAE #10
CP12-4-10S/4S	Aluminum Housing, Pilot at Port #1	Standard	SAE #10, #4
CP12-4-10S-X1	Aluminum Housing, No Port #1	Omit port 1	SAE #10
CP12-4-3B	Aluminum Housing	Standard	3/8 BSP
CP12-4-3B-X1	Aluminum Housing, No Port #1	Omit port 1	3/8 BSP
CP12-4-4B	Aluminum Housing	Standard	1/2 BSP
CP12-4-4B-X1	Aluminum Housing, No Port #1	Omit port 1	1/2 BSP
CP12-4-8S	Aluminum Housing	Standard	SAE #8
CP12-4-8S/4S	Aluminum Housing, Pilot at Port #1	Standard	SAE #10, #4
CP12-4-8S-X1	Aluminum Housing, No Port #1	Omit port 1	SAE #8

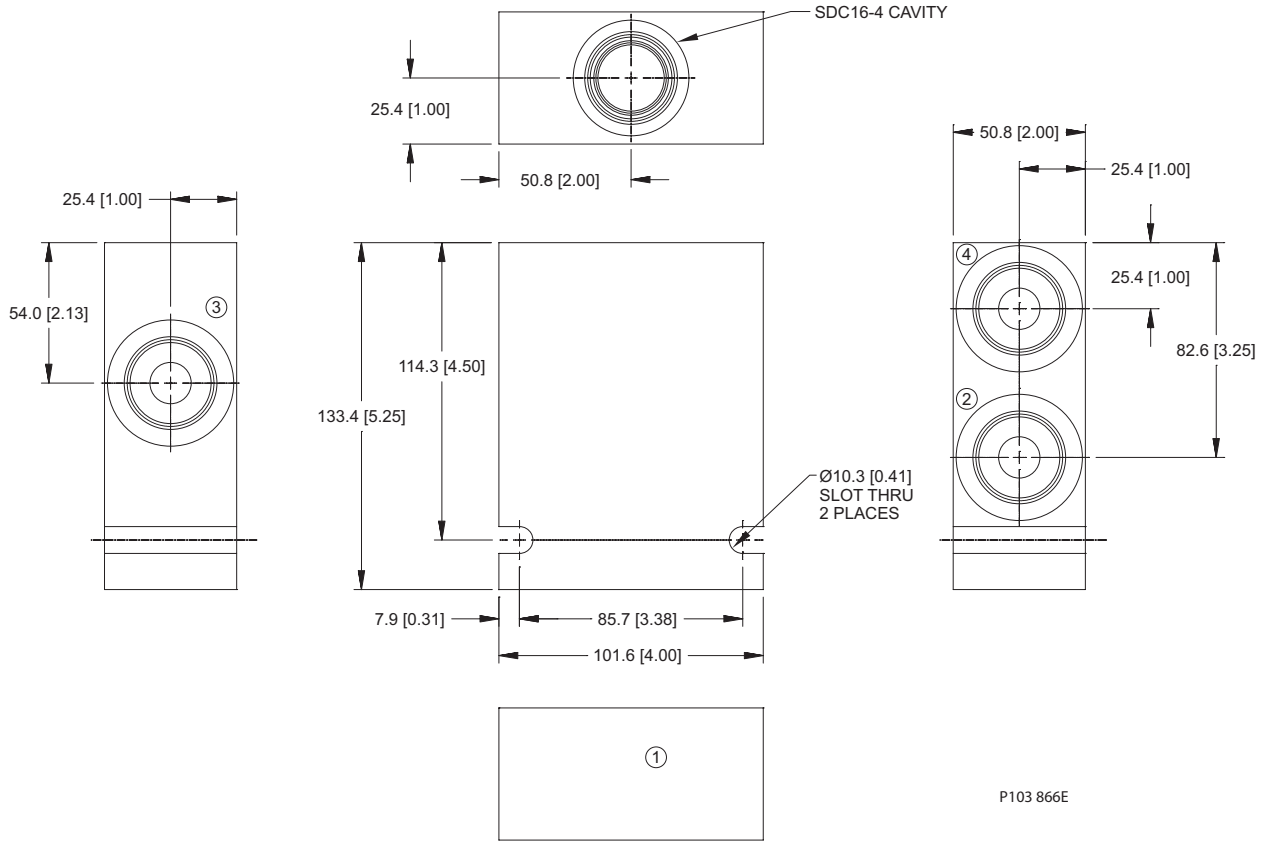


Cartridge Valves Technical Information

Housings

CP16-4 (Omit port 1)

Dimensions



Options

Order Code	Description	Style	Ports
CP16-4-12S-X1	Aluminum Housing, No Port #1	Omit port 1	SAE #12
CP16-4-16S-X1	Aluminum Housing, No Port #1	Omit port 1	SAE #16

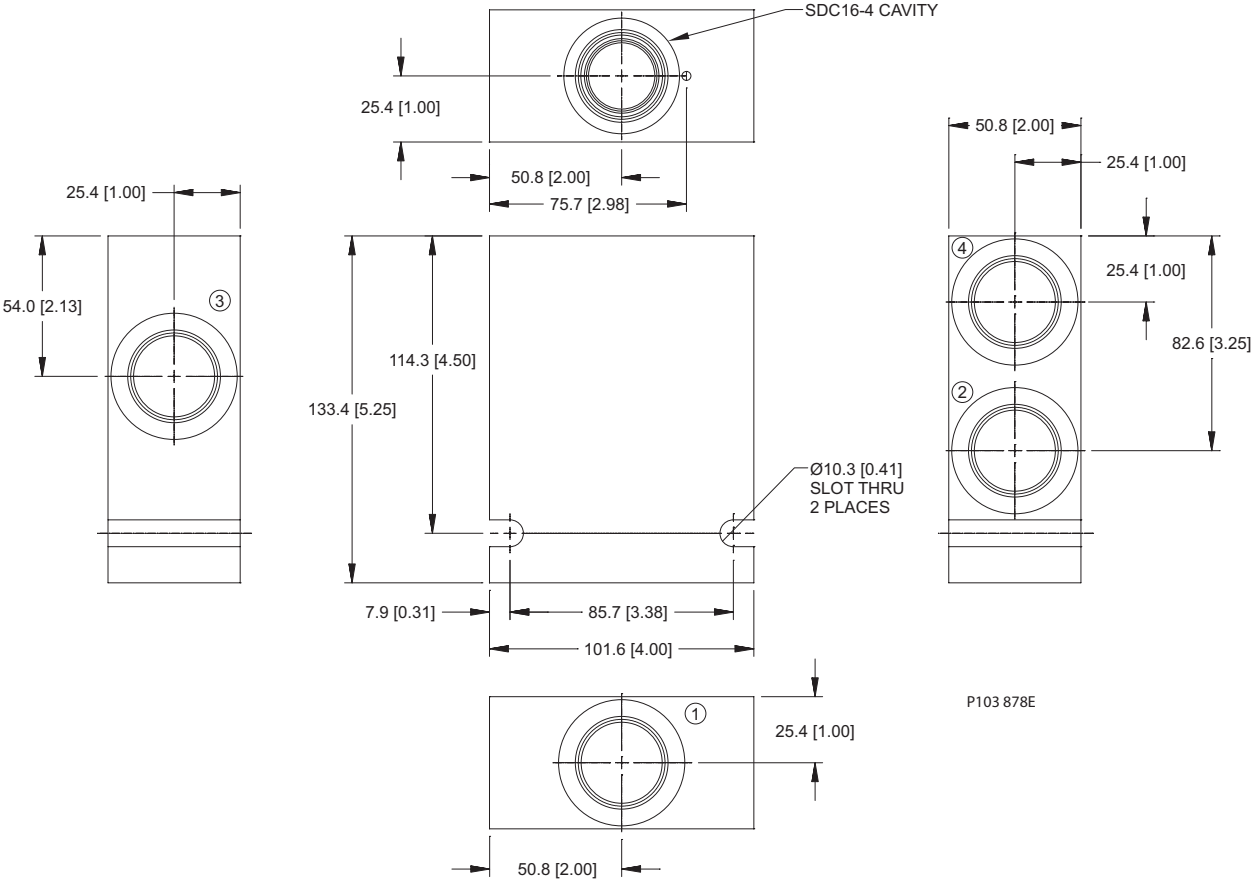


Cartridge Valves Technical Information

Housings

CP16-4 (Standard)

Housing drawing



Options

Order Code	Description	Style	Ports
CP16-4-12S	Aluminum Housing	Standard	SAE #12
CP16-4-16S	Aluminum Housing	Standard	SAE #16
CP16-4-6B	Aluminum Housing	Standard	3/4 BSP
CP16-4-8B	Aluminum Housing	Standard	1 BSP

CP16-4 (Standard) Housings

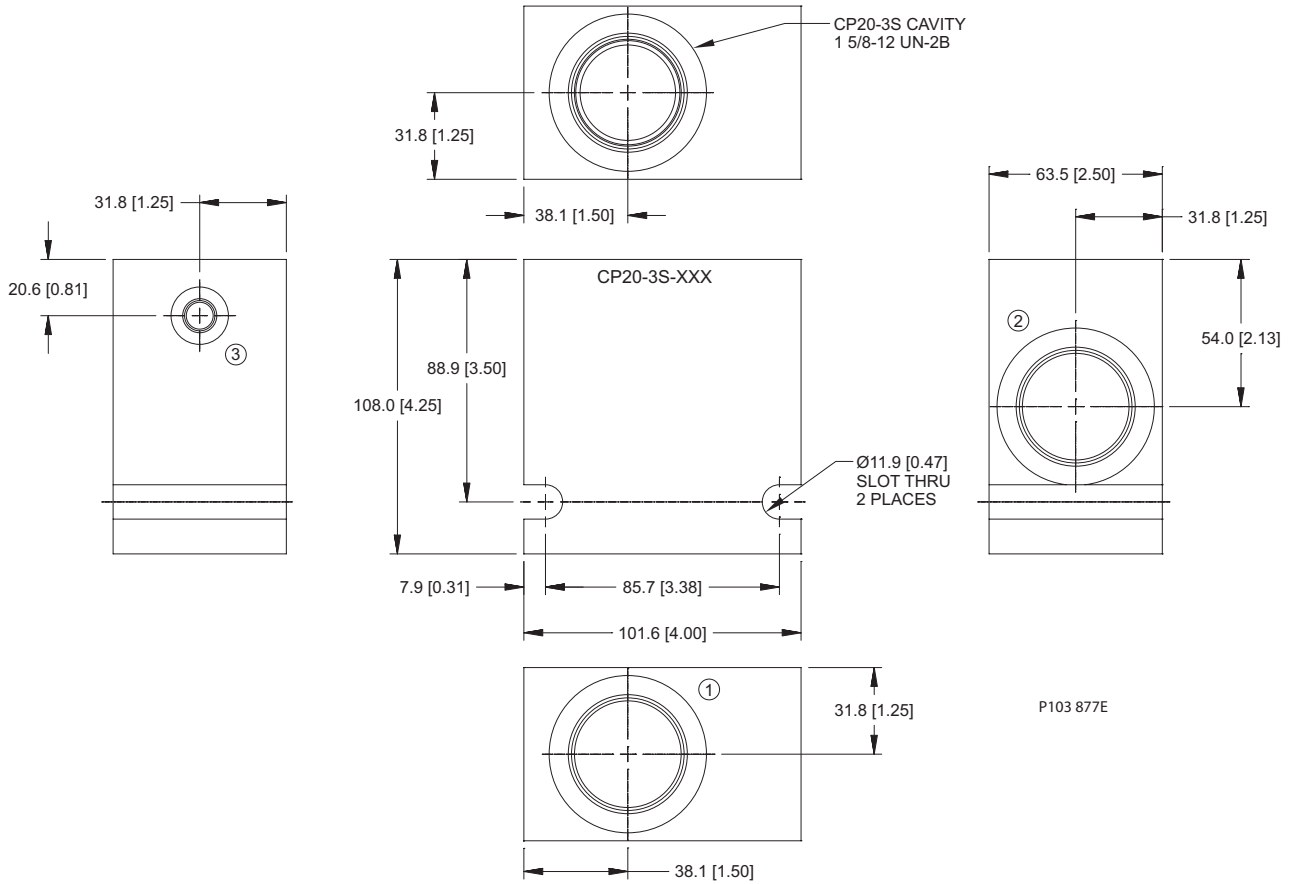


Cartridge Valves Technical Information

Housings

CP20-3S (Standard)

Dimensions



Options

Order Code	Description	Style	Ports
CP20-3S-10B/2B	Aluminum Housing, Pilot at Port #3	Standard	1 1/4 BSP, 1/4 BSP
CP20-3S-16S/4S	Aluminum Housing, Pilot at Port #3	Standard	SAE #16, #4
CP20-3S-20S/4S	Aluminum Housing, Pilot at Port #3	Standard	SAE #20, #4
CP20-3S-8B/2B	Aluminum Housing, Pilot at Port #3	Standard	1 BSP, 1/4 BSP

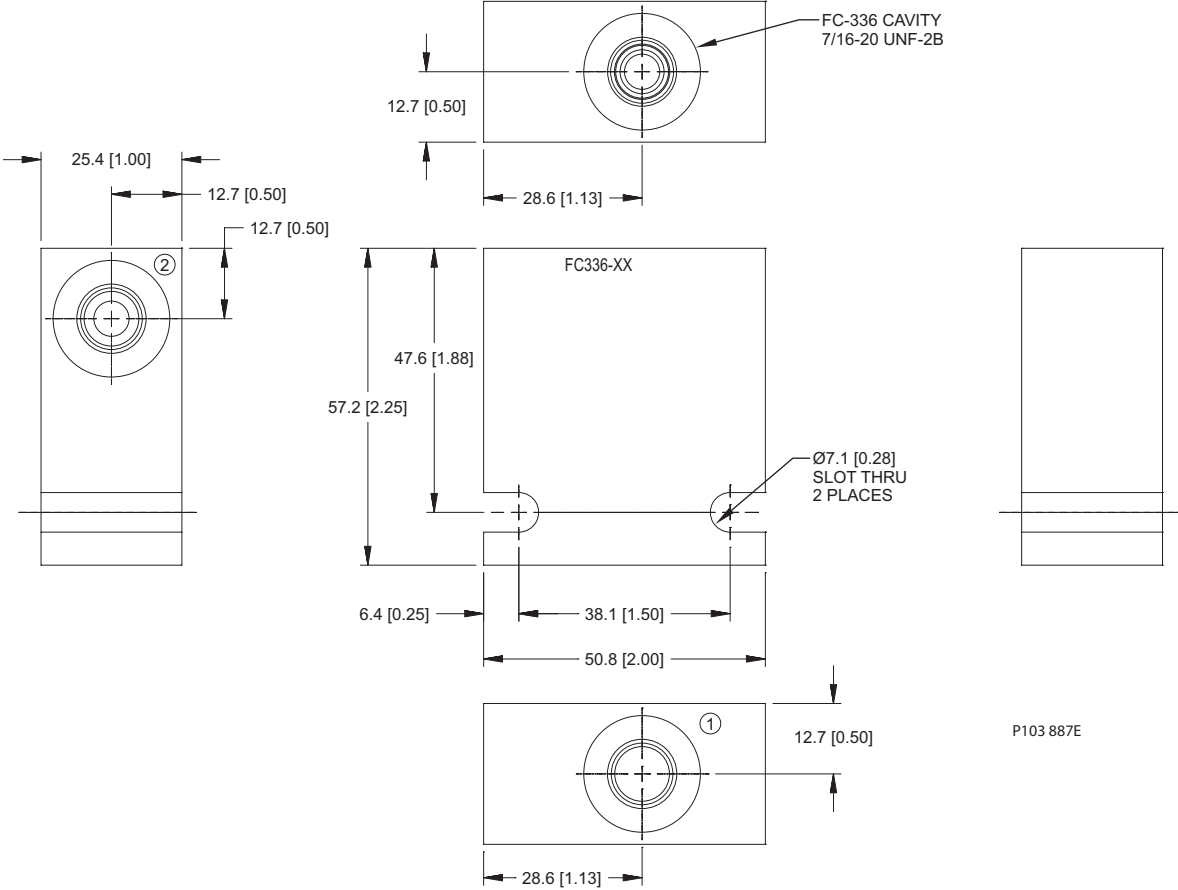


Cartridge Valves Technical Information

Housings

FC-336 (Standard)

Housing drawing



Options

Order Code	Description	Style	Ports
FC336-4S	Aluminum Housing	Standard	SAE #4

FC-336 (Standard) Housings

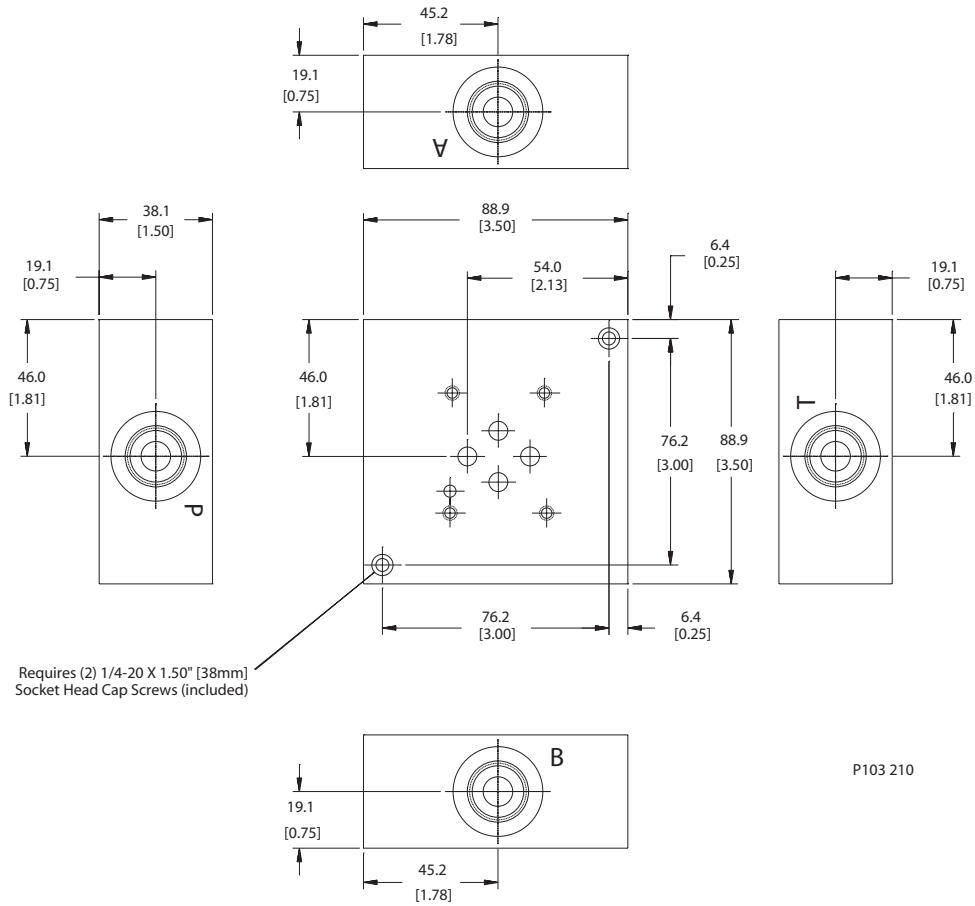


Cartridge Valves Technical Information

Housings

ISO D03 (AL)

Dimensions



Options

Order Code	Description	Style	Ports
UDPS-06-AL	ISO D03 Subplate, Aluminum	AL	#8 SAE

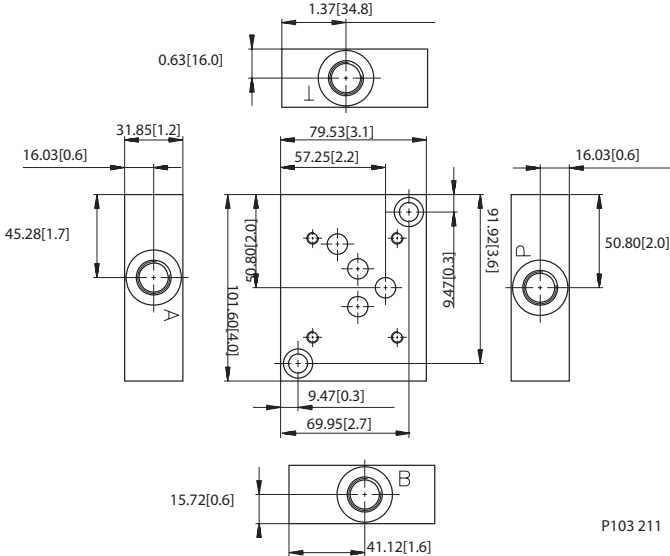


Cartridge Valves Technical Information

Housings

ISO D05 (AL)

Housing drawing



Options

Order Code	Description	Style	Ports
UDPS-10-AL	ISO D05 Subplate, Aluminum	AL	#8 SAE

Housings (AL) ISO D05

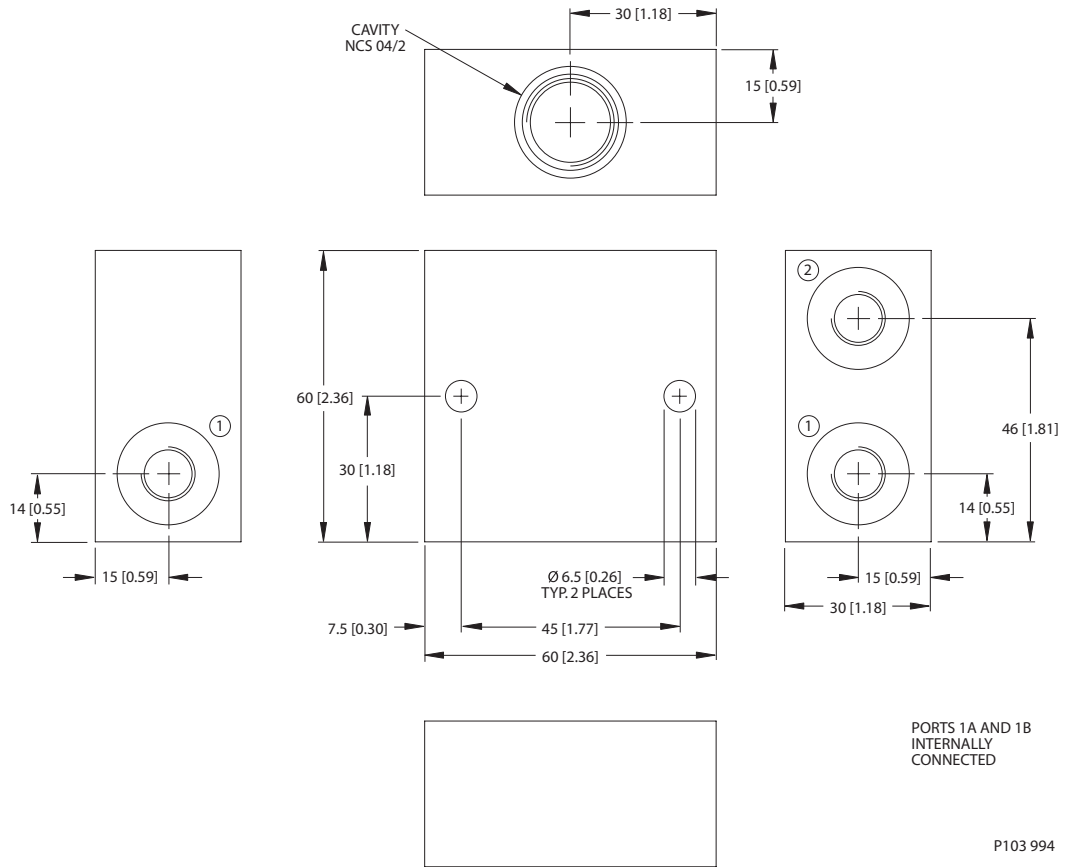


Cartridge Valves Technical Information

Housings

NCS04/2 (LG2)

Dimensions



Options

Order Code	Description	Style	Ports
NCS04/2-LG2-1/4	Aluminum Housing, Two #1 Ports	LG2	1/4 BSP
NCS04/2-LG2-4S	Aluminum Housing, Two #1 Ports	LG2	SAE #4
NCS04/2-LG2-6S	Aluminum Housing, Two #1 Ports	LG2	SAE #6

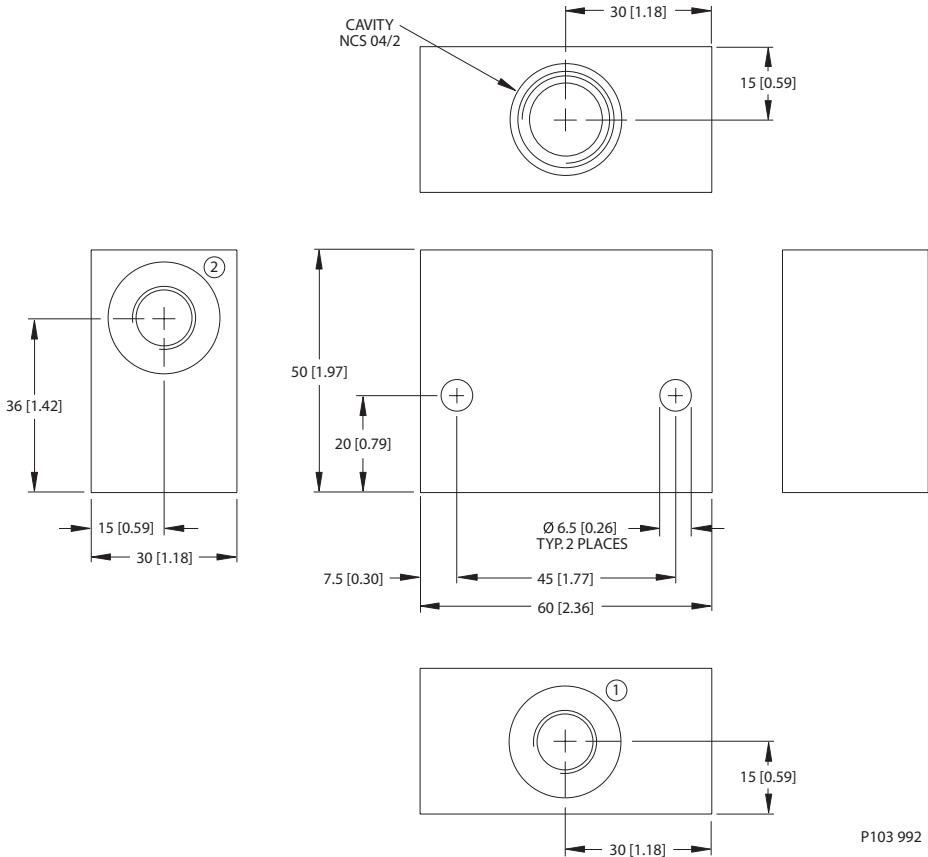


Cartridge Valves Technical Information

Housings

NCS04/2 (DG)

Housing drawing



P103 992

Options

Order Code	Description	Style	Ports
NCS04/2-DG-1/4	Aluminum Housing	DG	1/4 BSP
NCS04/2-DG-4S	Aluminum Housing	DG	SAE #4
NCS04/2-DG-6S	Aluminum Housing	DG	SAE #6

Housings
NCS04/2 (DG)

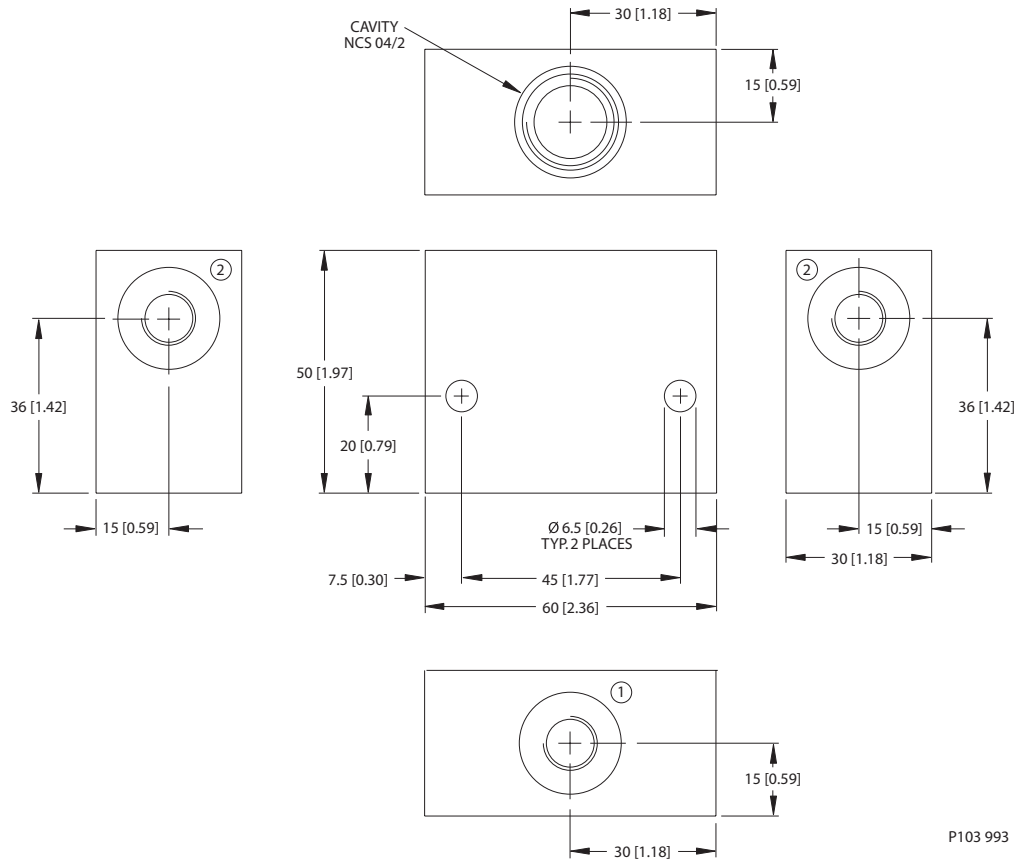


Cartridge Valves Technical Information

Housings

NCS04/2 (LG1)

Dimensions



Options

Order Code	Description	Style	Ports
NCS04/2-LG1-1/4	Aluminum Housing, Two #2 Ports	LG1	1/4 BSP
NCS04/2-LG1-4S	Aluminum Housing, Two #2 Ports	LG1	SAE #4
NCS04/2-LG1-6S	Aluminum Housing, Two #2 Ports	LG1	SAE #6

NCS04/2 (LG1)
Housing

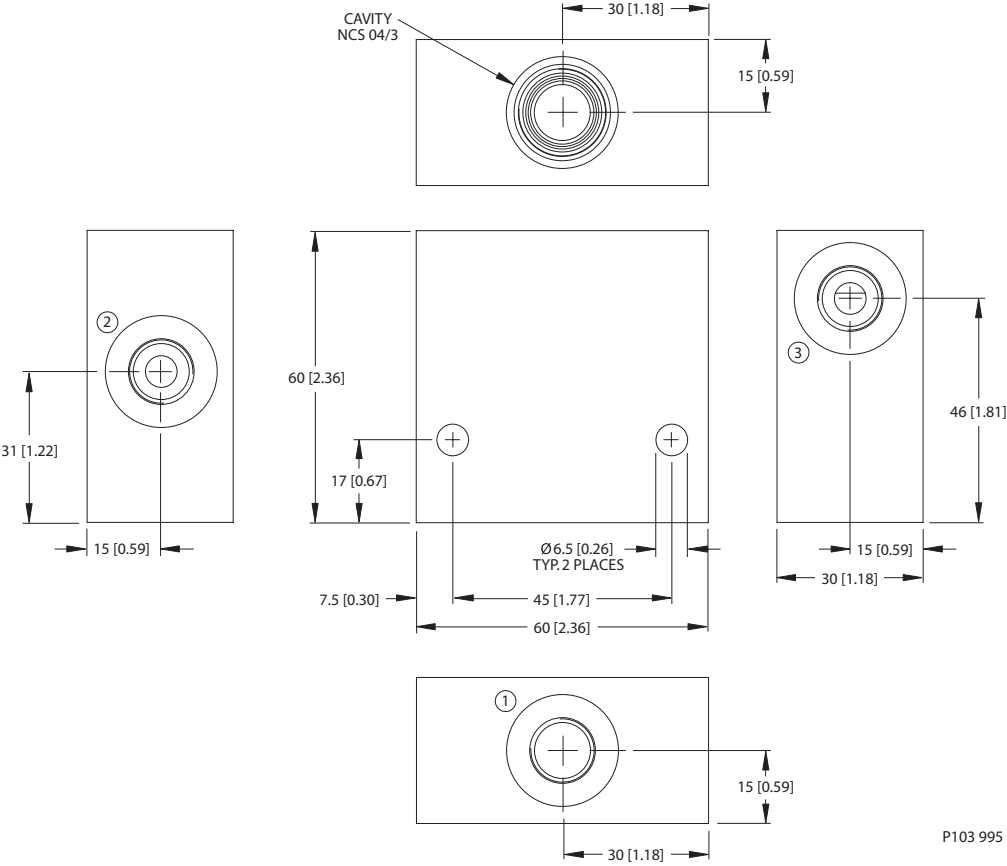


Cartridge Valves Technical Information

Housings

NCS04/3 (SE)

Housing drawing



P103 995

Options

Order Code	Description	Style	Ports
NCS04/3-SE-1/4	Aluminum Housing	SE	1/4 BSP

Housings
NCS04/3 (SE) 1/4 BSP

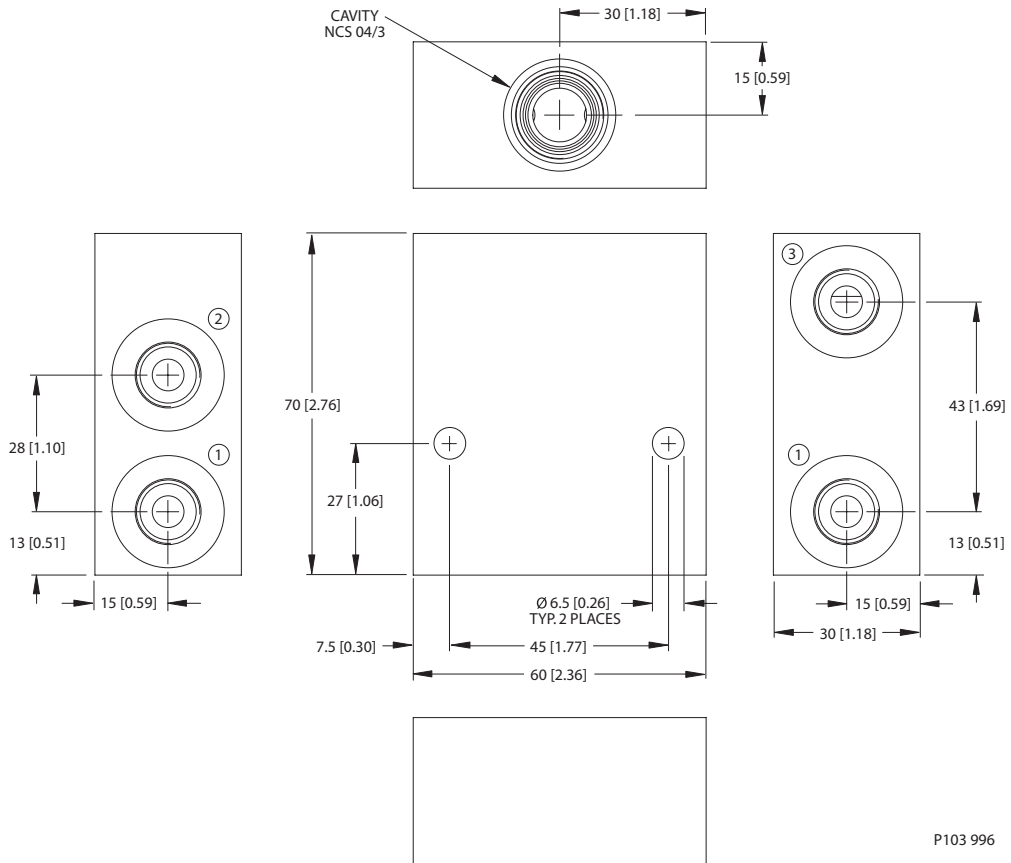


Cartridge Valves Technical Information

Housings

NCS04/3 (SI)

Dimensions



Options

Order Code	Description	Style	Ports
NCS04/3-SI-1/4	Aluminum Housing, Two #1 Ports	SI	1/4 BSP

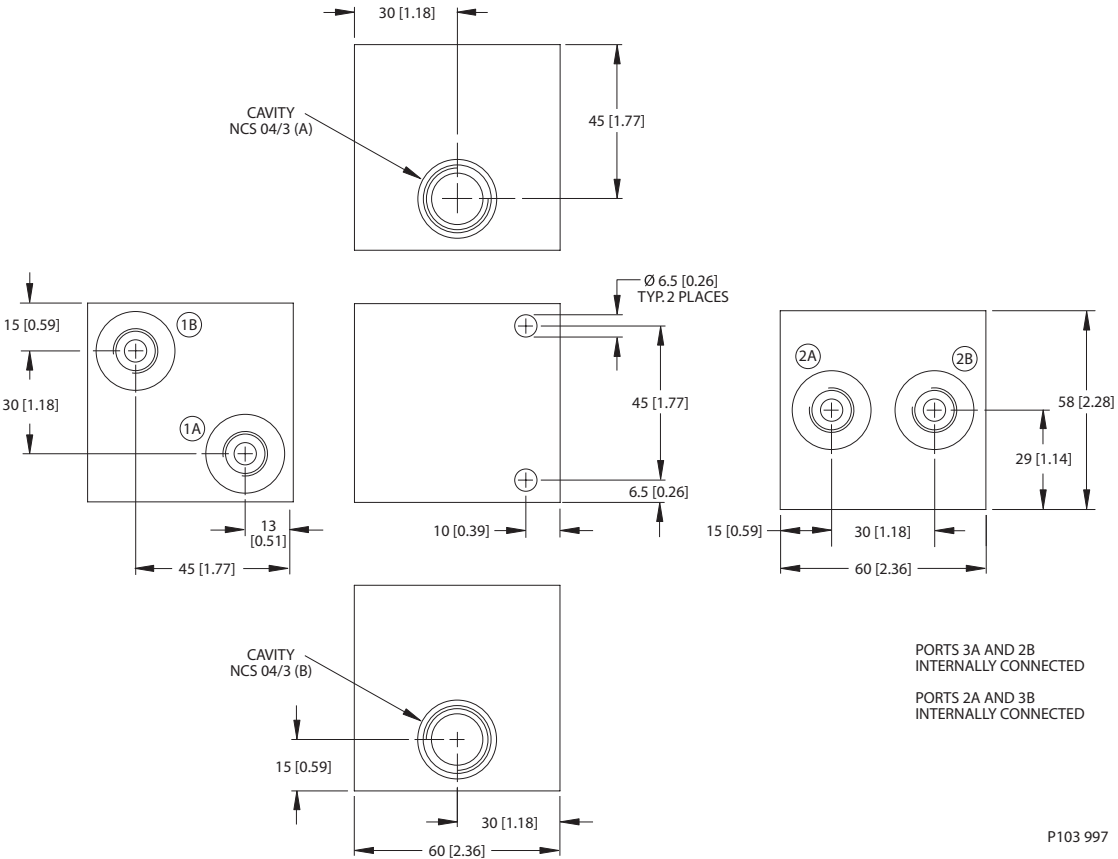


Cartridge Valves Technical Information

Housings

NCS04/3 (DI)

Housing drawing



Options

Order Code	Description	Style	Ports
NCS04/3-DI-1/4	Alum. Hsg., 2 Cavities w/#3 Ports Conn.	DI	1/4 BSP
NCS04/3-DI-3/8	Alum. Hsg., 2 Cavities w/#3 Ports Conn.	DI	3/8 BSP

Housings
NCS04/3 (DI) & 40SCN

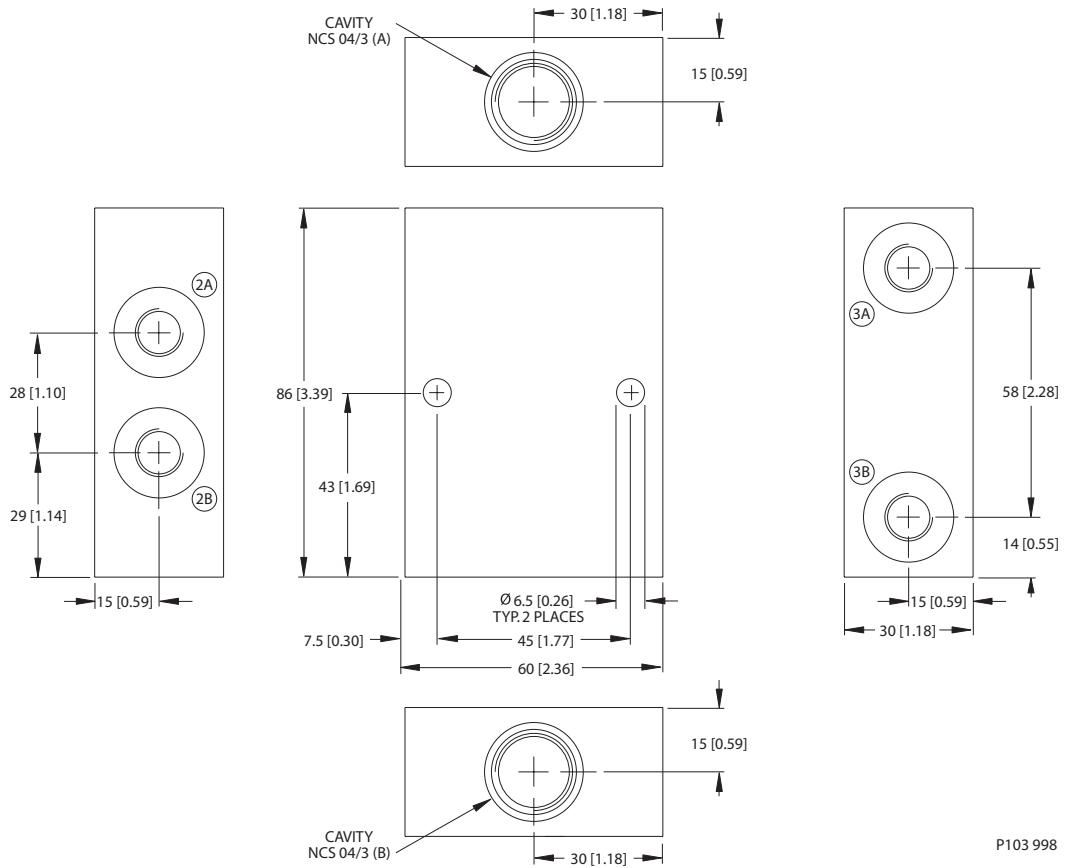


Cartridge Valves Technical Information

Housings

NCS04/3 (DL)

Dimensions



P103 998

Options

Order Code	Description	Style	Ports
NCS04/3-DL-1/4	Alum. Hsg., 2 Cavities w/#1 Ports Conn.	DL	1/4 BSP
NCS04/3-DL-4S	Alum. Hsg., 2 Cavities w/#1 Ports Conn.	DL	SAE #4
NCS04/3-DL-6S	Alum. Hsg., 2 Cavities w/#1 Ports Conn.	DL	SAE #6

NCS04/3 (DL)
Housings

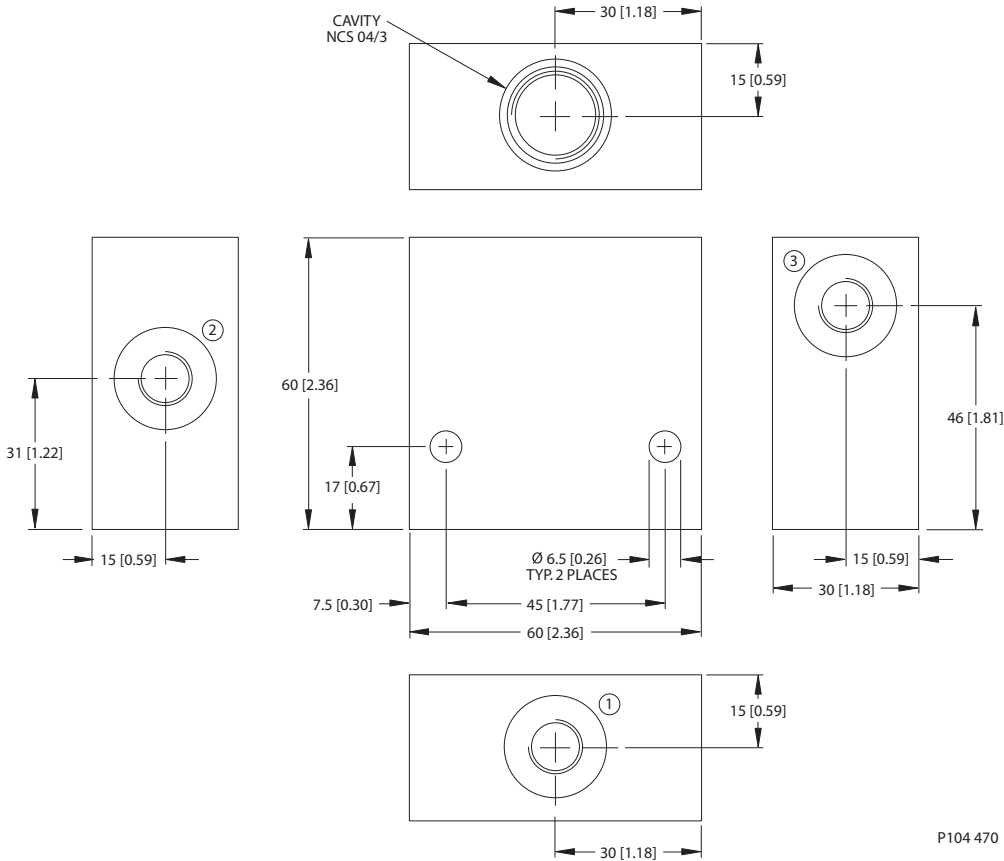


Cartridge Valves Technical Information

Housings

NCS04/3 (SE)

Housing drawing



P104 470

Options

Order Code	Description	Style	Ports
NCS04/3-SE-4S	Aluminum Housing	SE	SAE #4
NCS04/3-SE-6S	Aluminum Housing	SE	SAE #6

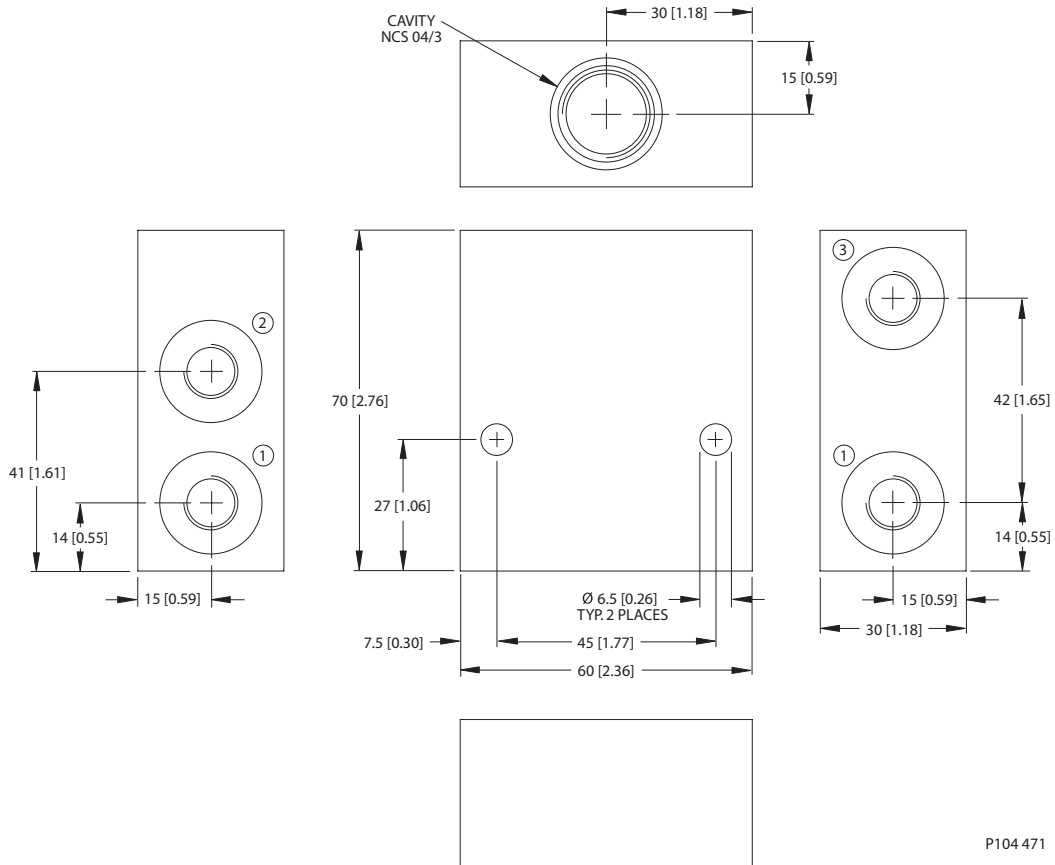


Cartridge Valves Technical Information

Housings

NCS04/3 (SI)

Dimensions



P104 471

Options

Order Code	Description	Style	Ports
NCS04/3-SI-4S	Aluminum Housing, Two #1 Ports	SI	SAE #4
NCS04/3-SI-6S	Aluminum Housing, Two #1 Ports	SI	SAE #6

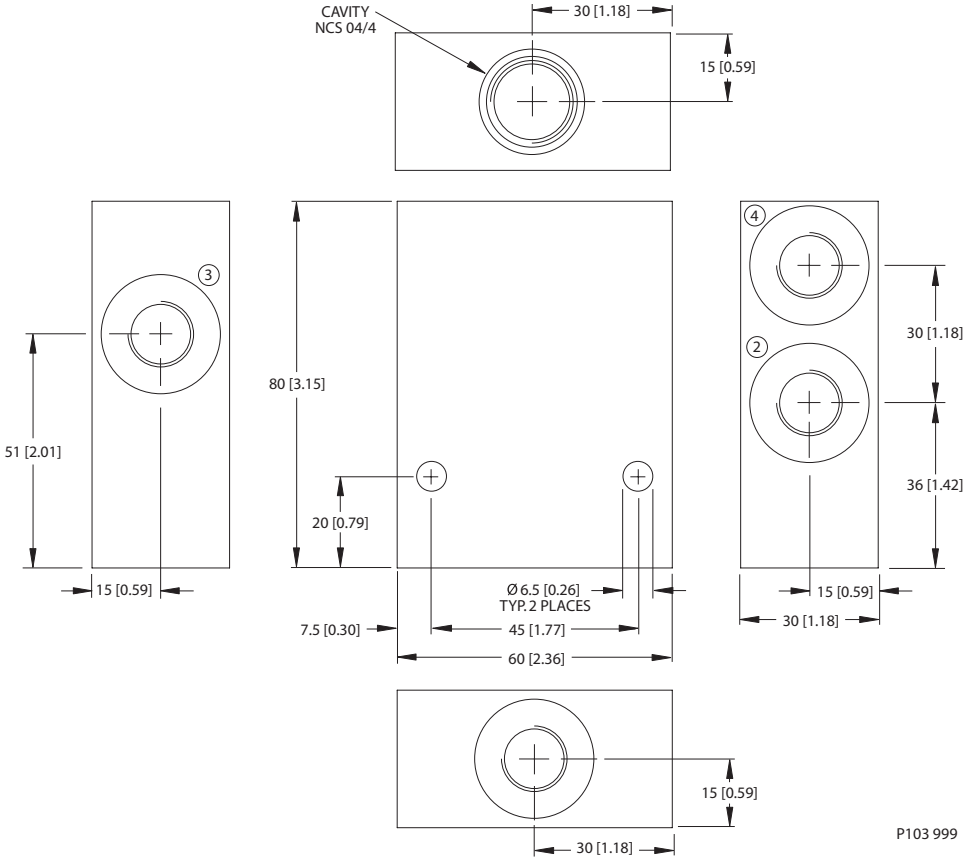


Cartridge Valves Technical Information

Housings

NCS04/4 (L)

Housing drawing



P103 999

Options

Order Code	Description	Style	Ports
NCS04/3-L-6S	Aluminum Housing, Two #1 Ports	L	SAE #6

Housings
NCS04/4 (L) / P0SCN

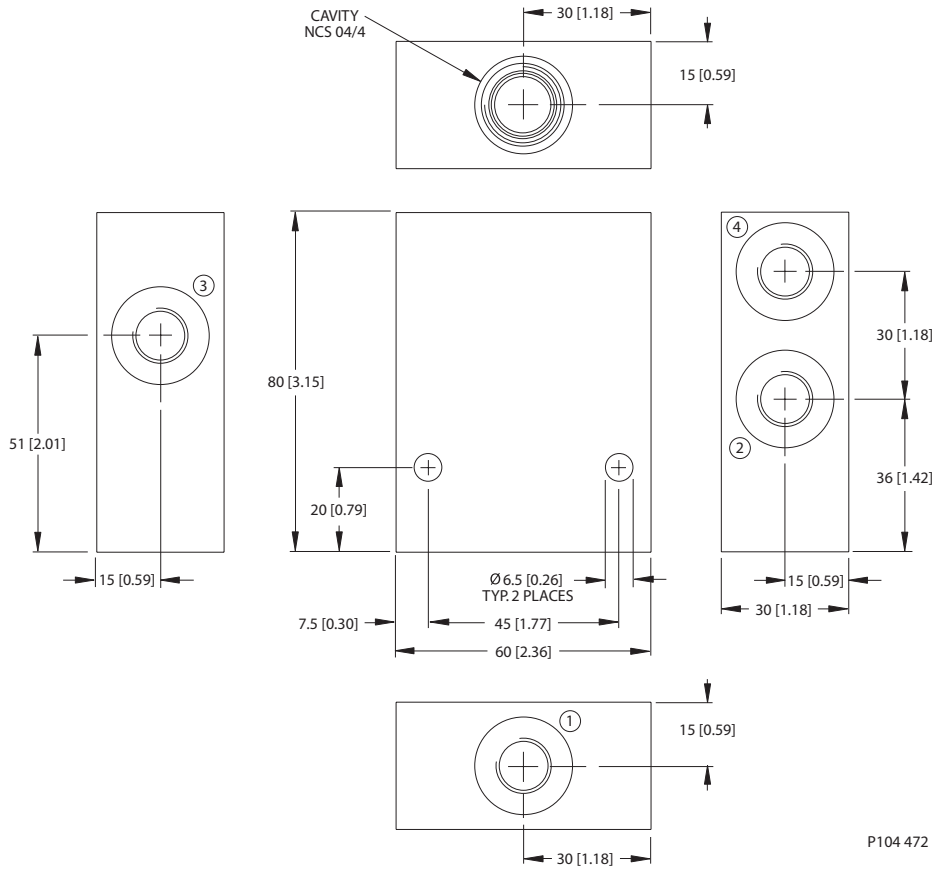


Cartridge Valves Technical Information

Housings

NCS04/4 (L)

Dimensions



Options

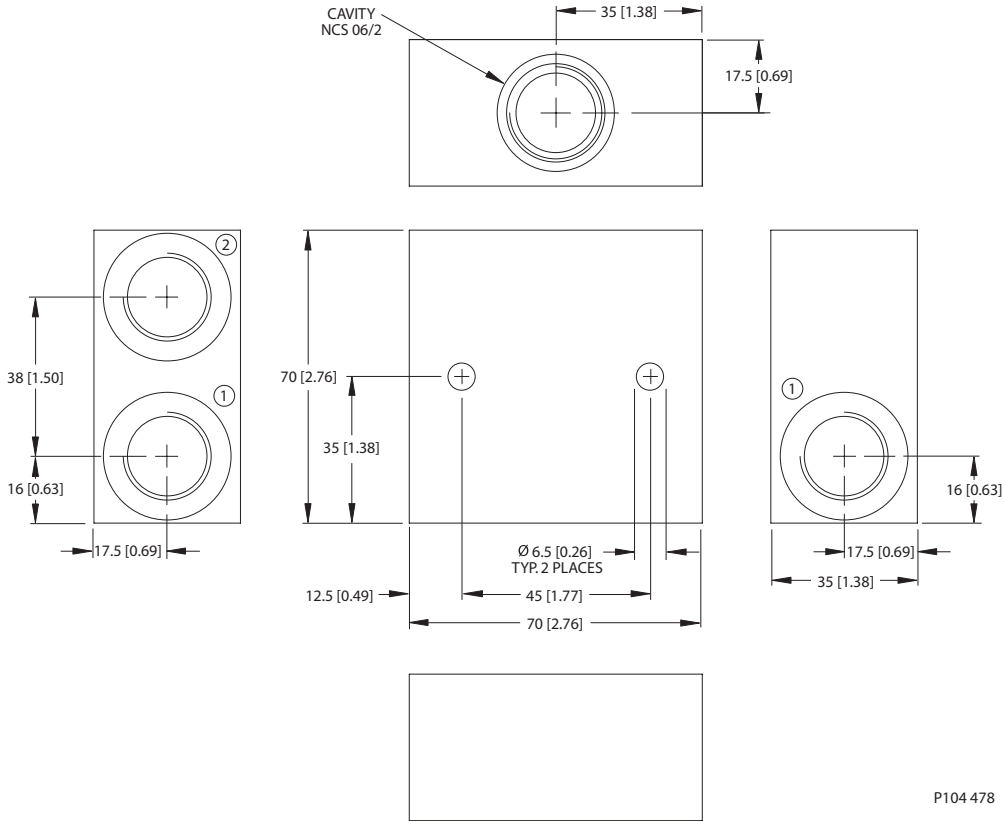
Order Code	Description	Style	Ports
NCS04/4-L-1/4	Aluminum Housing	L	1/4 BSP
NCS04/4-L-4S	Aluminum Housing	L	SAE #4

NCS04/4 (L)
Housing



Cartridge Valves Technical Information
Housings
NCS06/2 (LG2)

Housing drawing



Options

Order Code	Description	Style	Ports
NCS06/2-LG2-1/2	Aluminum Housing, Two #1 Ports	LG2	1/2 BSP
NCS06/2-LG2-8S	Aluminum Housing, Two #1 Ports	LG2	SAE #8

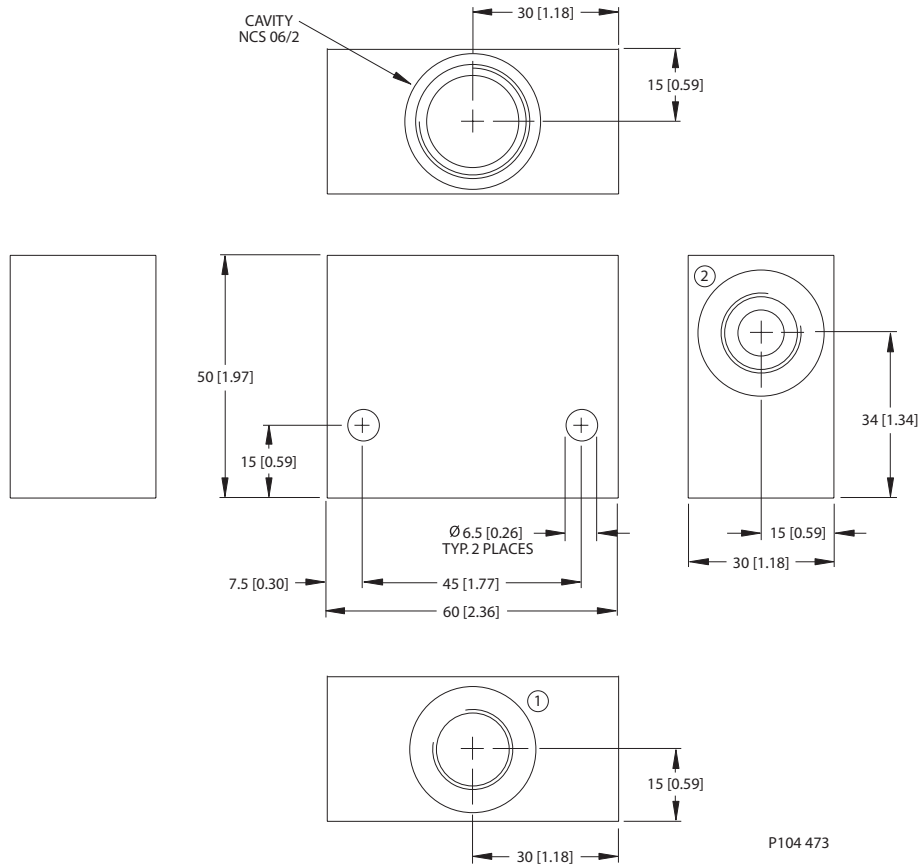


Cartridge Valves Technical Information

Housings

NCS06/2 (DG)

Dimensions



Options

Order Code	Description	Style	Ports
NCS06/2-DG-3/8	Aluminum Housing	DG	3/8 BSP
NCS06/2-DG-6S	Aluminum Housing	DG	SAE #6

NCS06/2 (DG)
Housing

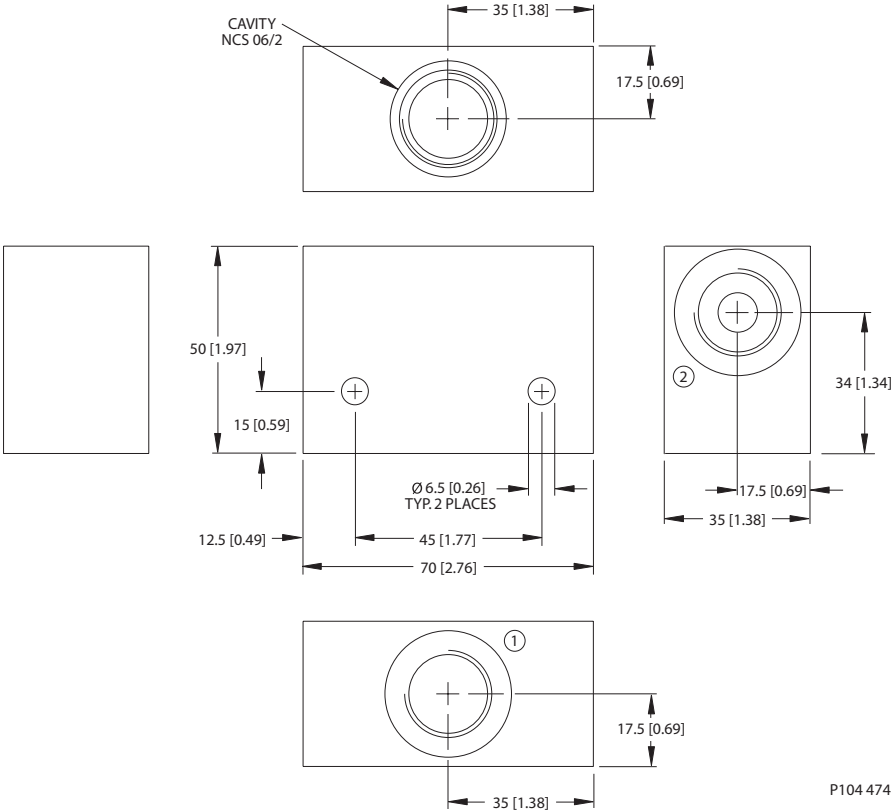


Cartridge Valves Technical Information

Housings

NCS06/2 (DG)

Housing drawing



P104 474

Options

Order Code	Description	Style	Ports
NCS06/2-DG-1/2	Aluminum Housing	DG	1/2 BSP
NCS06/2-DG-8S	Aluminum Housing	DG	SAE #8

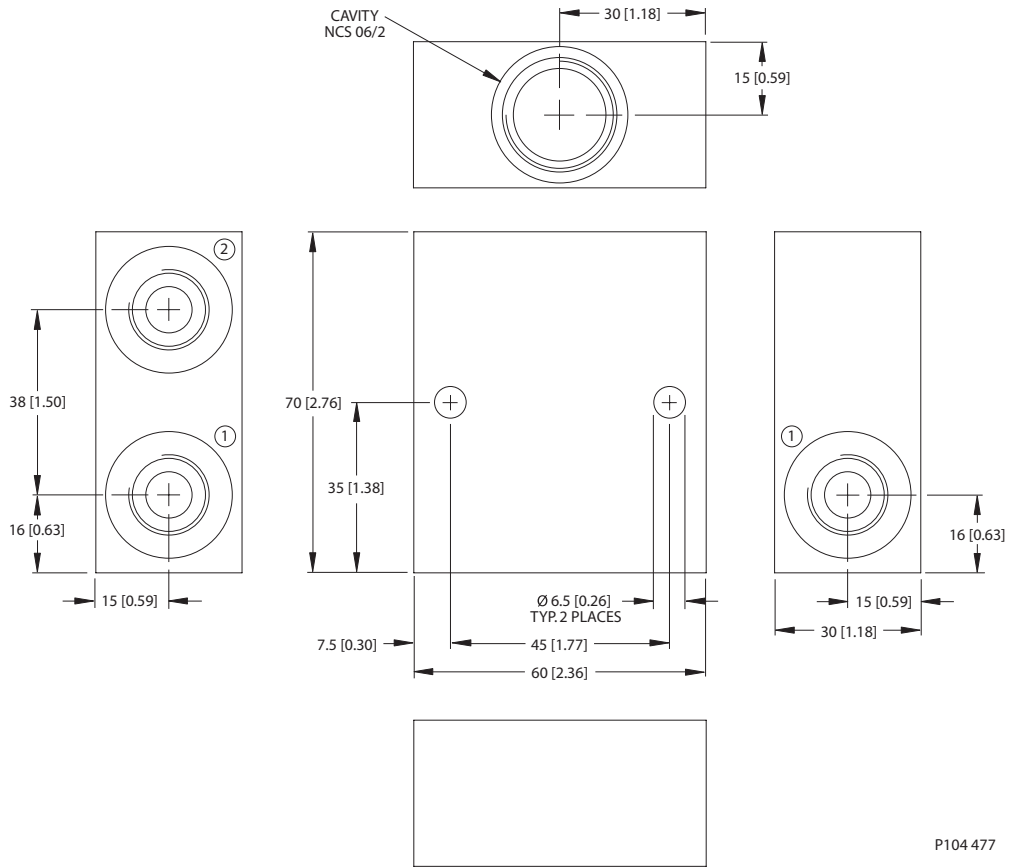


Cartridge Valves Technical Information

Housings

NCS06/2 (LG2)

Dimensions



P104 477

Options

Order Code	Description	Style	Ports
NCS06/2-LG2-3/8	Aluminum Housing, Two #1 Ports	LG2	3/8 BSP
NCS06/2-LG2-6S	Aluminum Housing, Two #1 Ports	LG2	SAE #6

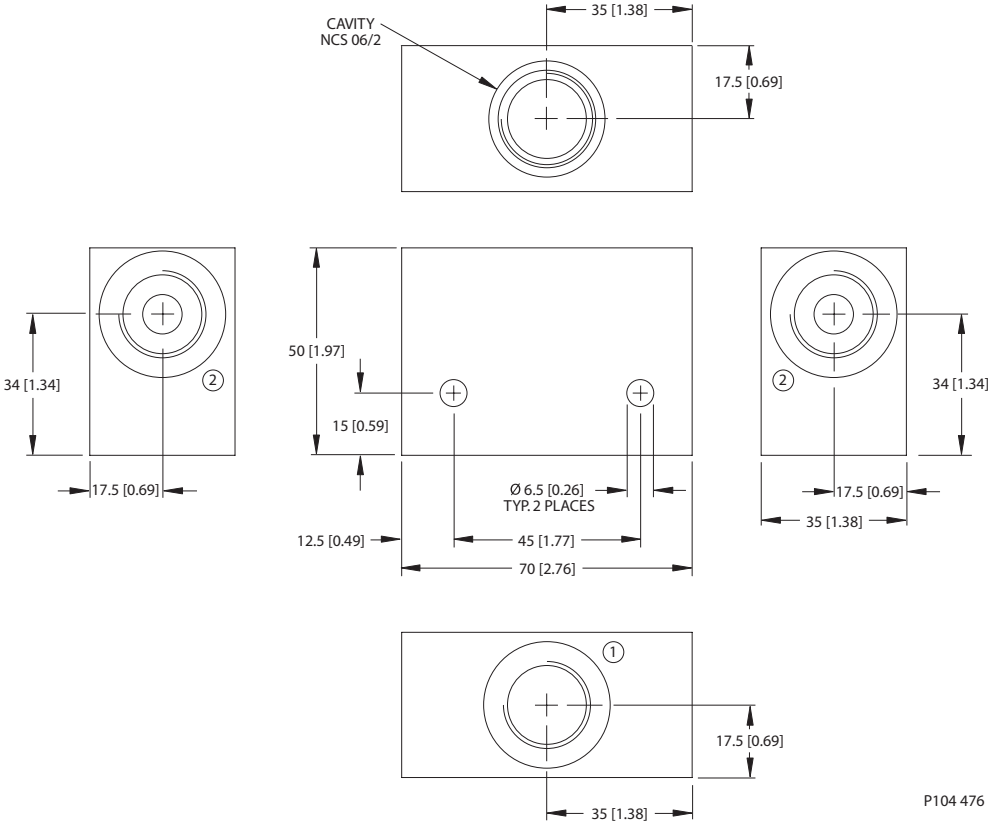


Cartridge Valves Technical Information

Housings

NCS06/2 (LG1)

Housing drawing



Options

Order Code	Description	Style	Ports
NCS06/2-LG1-1/2	Aluminum Housing, Two #2 Ports	LG1	1/2 BSP
NCS06/2-LG1-8S	Aluminum Housing, Two #2 Ports	LG1	SAE #8

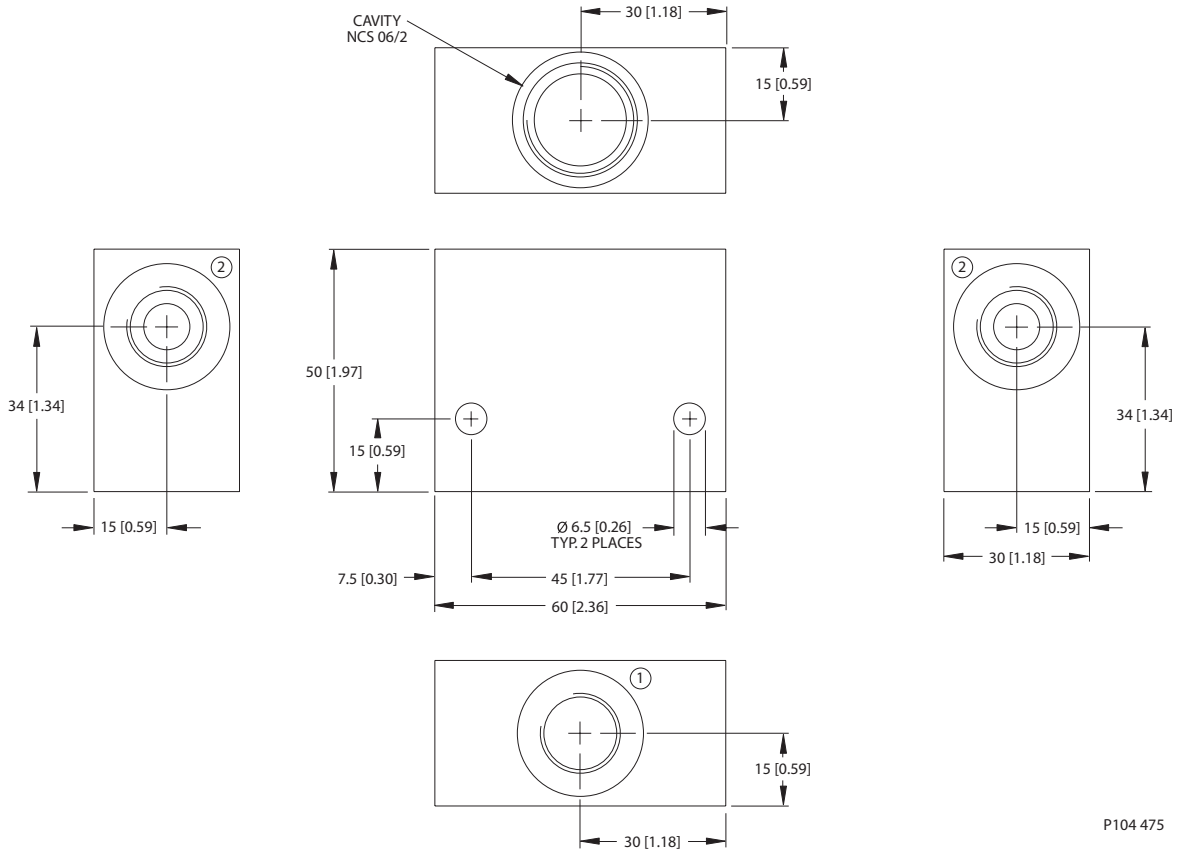


Cartridge Valves Technical Information

Housings

NCS06/2 (LG1)

Dimensions



P104475

Options

Order Code	Description	Style	Ports
NCS06/2-LG1-3/8	Aluminum Housing, Two #2 Ports	LG1	3/8 BSP

Housings
NCS06/2 (LG1)

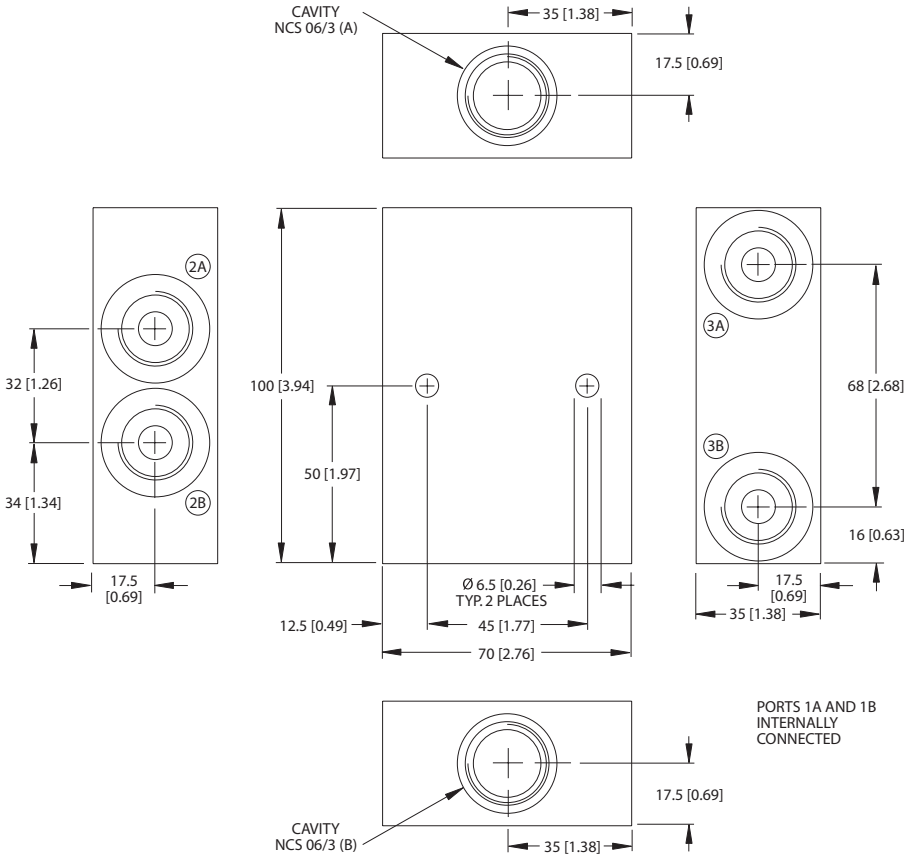


Cartridge Valves Technical Information

Housings

NCS06/3 (DL)

Housing drawing



P104 480

Options

Order Code	Description	Style	Ports
NCS06/3-DL-1/2	Alum. Hsg., 2 Cavities w/#1 Ports Conn.	DL	1/2 BSP
NCS06/3-DL-8S	Alum. Hsg., 2 Cavities w/#1 Ports Conn.	DL	SAE #8

Housings
NCS06/3 (DL) 3/9/SCSN

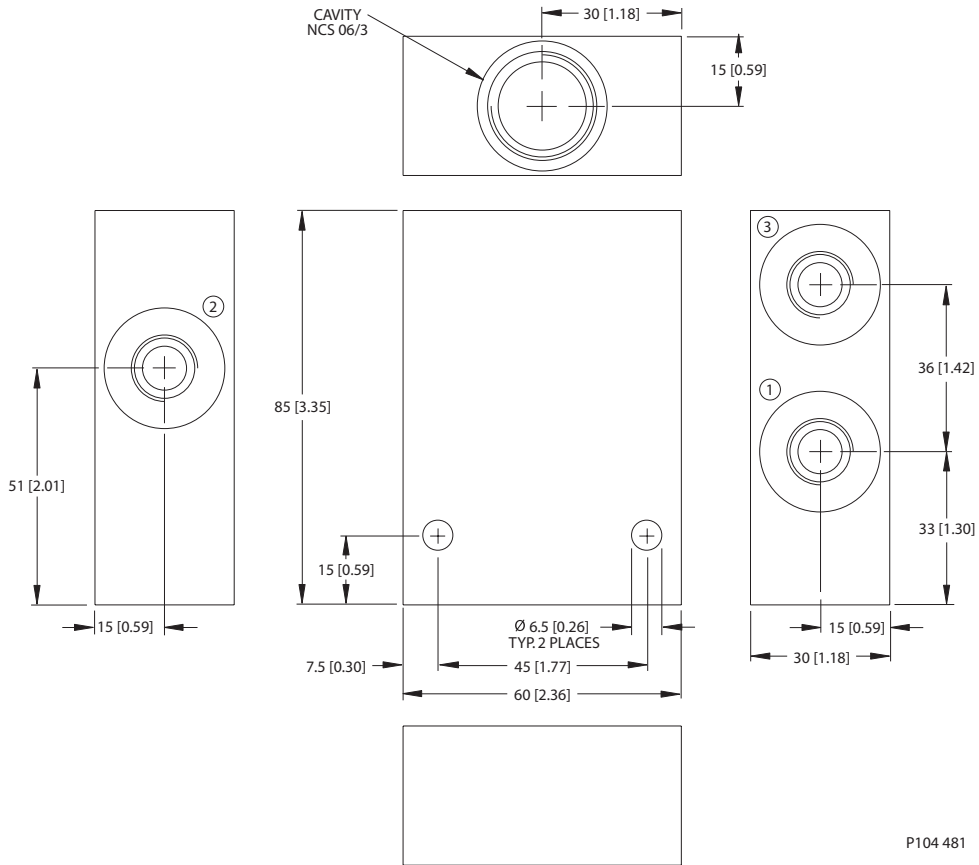


Cartridge Valves Technical Information

Housings

NCS06/3 (LD)

Dimensions



Options

Order Code	Description	Style	Ports
NCS06/3-LD-6S	Aluminum Housing, No Port #1	LD	SAE #6

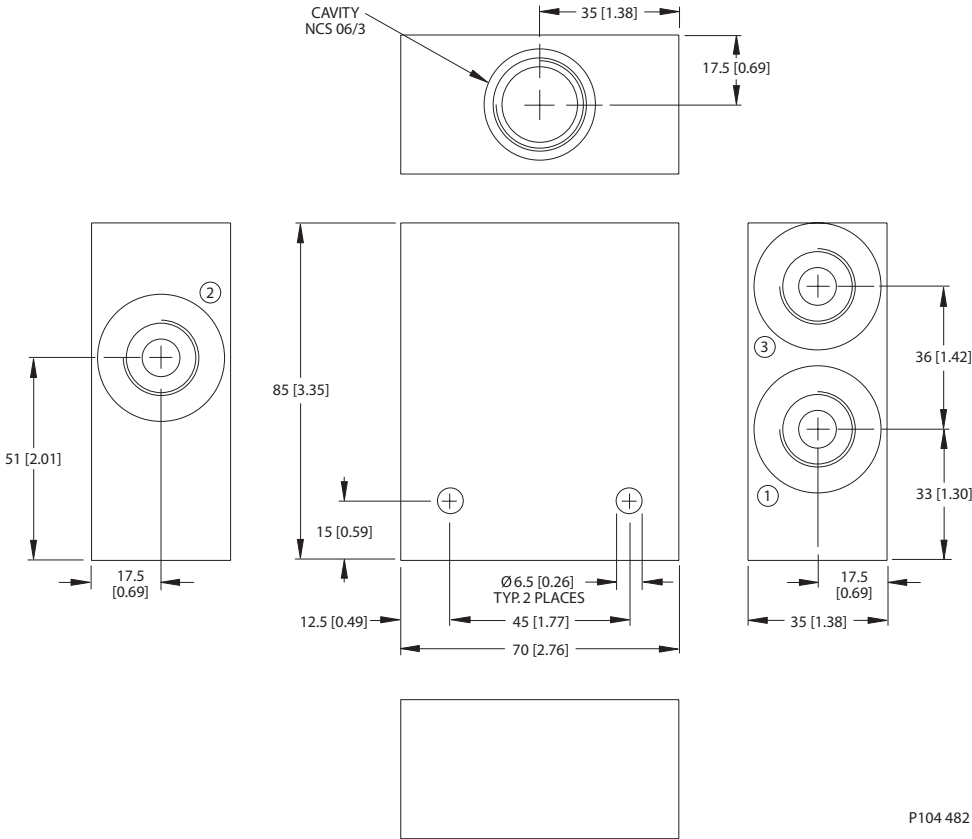


Cartridge Valves Technical Information

Housings

NCS06/3 (LD)

Housing drawing



P104 482

Options

Order Code	Description	Style	Ports
NCS06/3-LD-8S	Aluminum Housing, No Port #1	LD	SAE #8

Housings
(LD) 3/90SCN

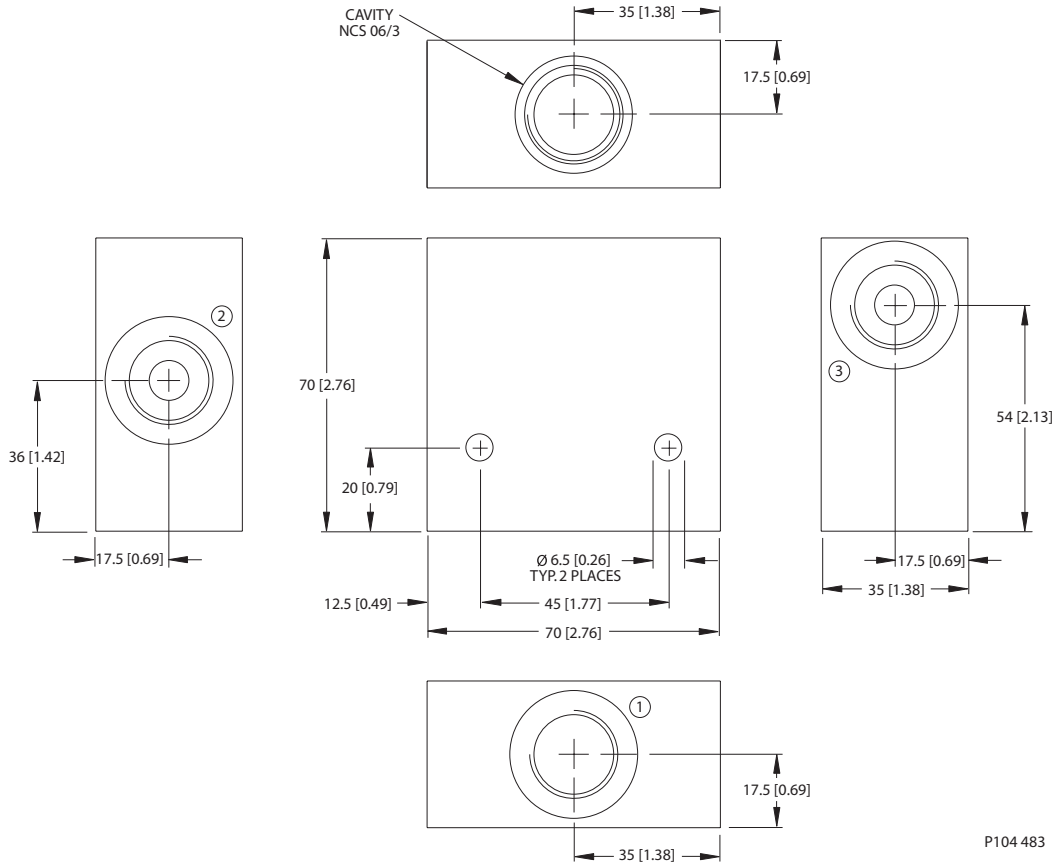


Cartridge Valves Technical Information

Housings

NCS06/3 (SE)

Dimensions



P104 483

Options

Order Code	Description	Style	Ports
NCS06/3-SE-1/2	Aluminum Housing	SE	1/2 BSP
NCS06/3-SE-8S	Aluminum Housing	SE	SAE #8

Housings NCS06/3 (SE)

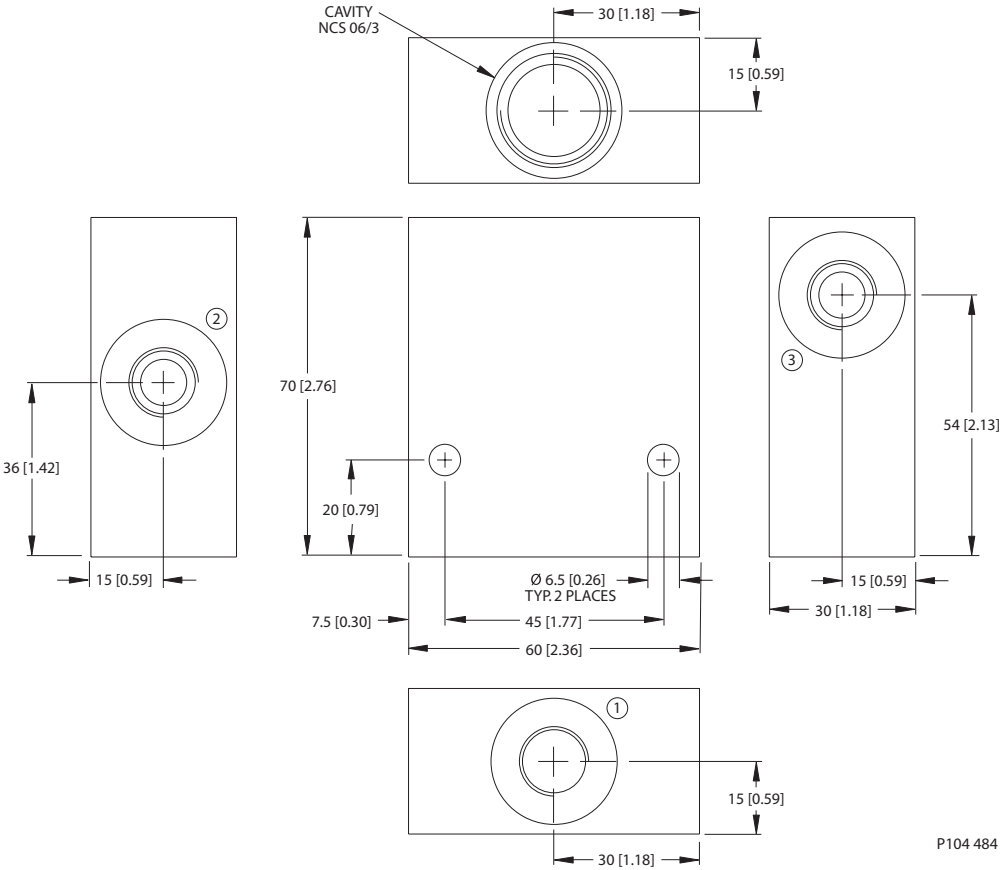


Cartridge Valves Technical Information

Housings

NCS06/3 (SE)

Housing drawing



P104 484

Options

Order Code	Description	Style	Ports
NCS06/3-SE-3/8	Aluminum Housing	SE	3/8 BSP
NCS06/3-SE-6S	Aluminum Housing	SE	SAE #6

Housings
(SE) 3/905CNC

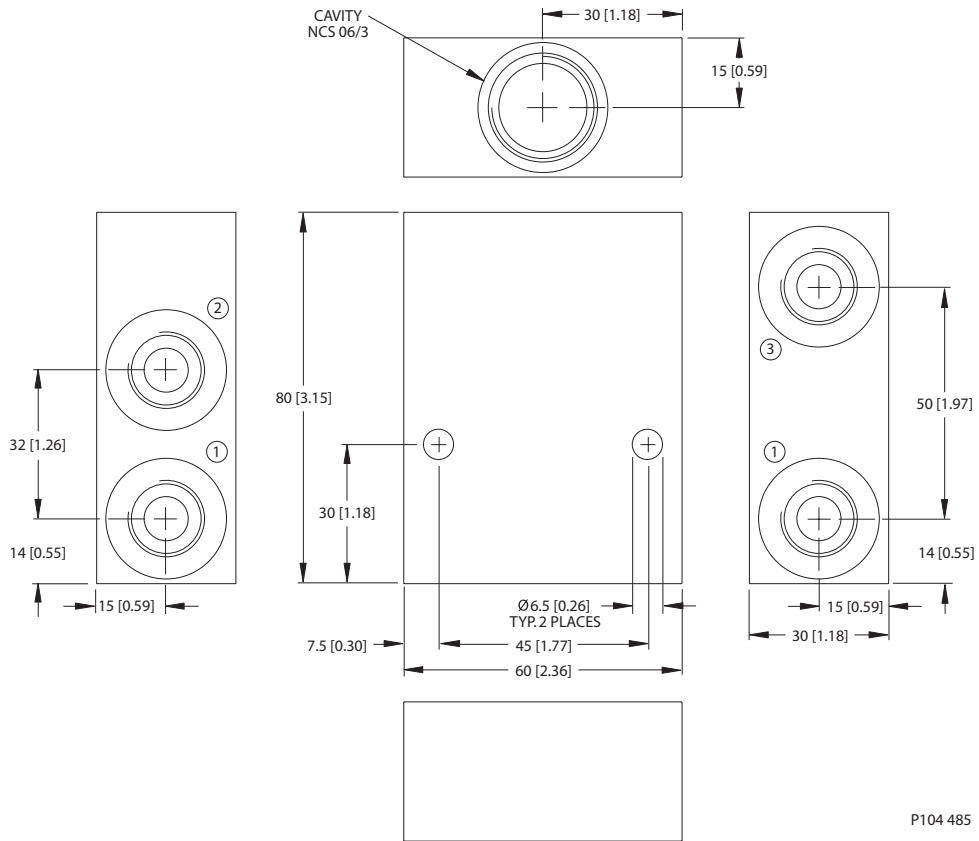


Cartridge Valves Technical Information

Housings

NCS06/3 (SI)

Dimensions



Options

Order Code	Description	Style	Ports
NCS06/3-SI-3/8	Aluminum Housing, Two #1 Ports	SI	3/8 BSP
NCS06/3-SI-6S	Aluminum Housing, Two #1 Ports	SI	SAE #6

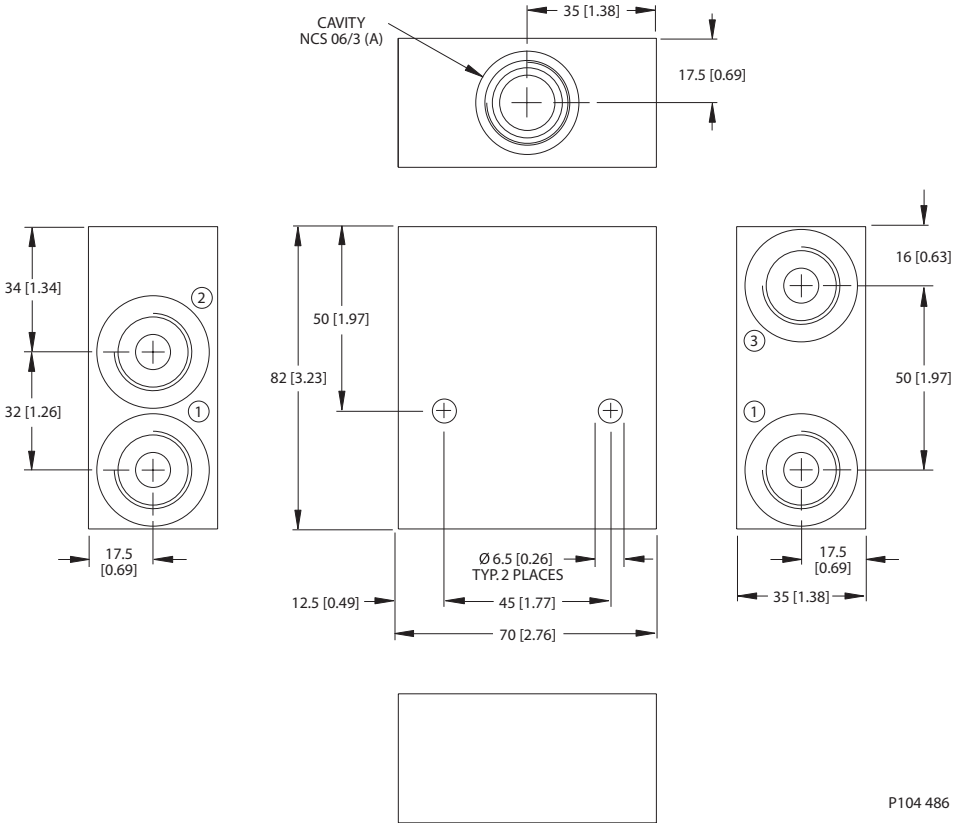


Cartridge Valves Technical Information

Housings

NCS06/3 (SI)

Housing drawing



P104 486

Options

Order Code	Description	Style	Ports
NCS06/3-SI-1/2	Aluminum Housing, Two #1 Ports	SI	1/2 BSP
NCS06/3-SI-8S	Aluminum Housing, Two #1 Ports	SI	SAE #8

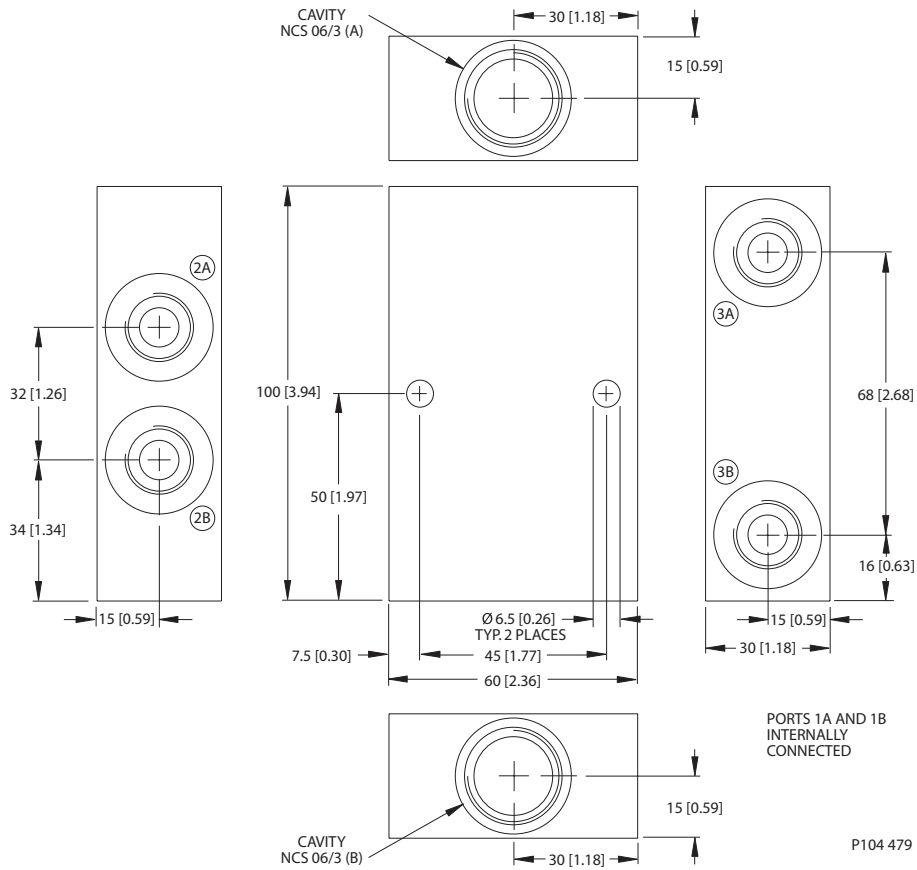


Cartridge Valves Technical Information

Housings

NCS06/3 (DL)

Dimensions



Options

Order Code	Description	Style	Ports
NCS06/3-DL-3/8	Alum. Hsg., 2 Cavities w/#1 Ports Conn.	DL	3/8 BSP
NCS06/3-DL-6S	Alum. Hsg., 2 Cavities w/#1 Ports Conn.	DL	SAE #6

Housings NCS06/3 (DL)

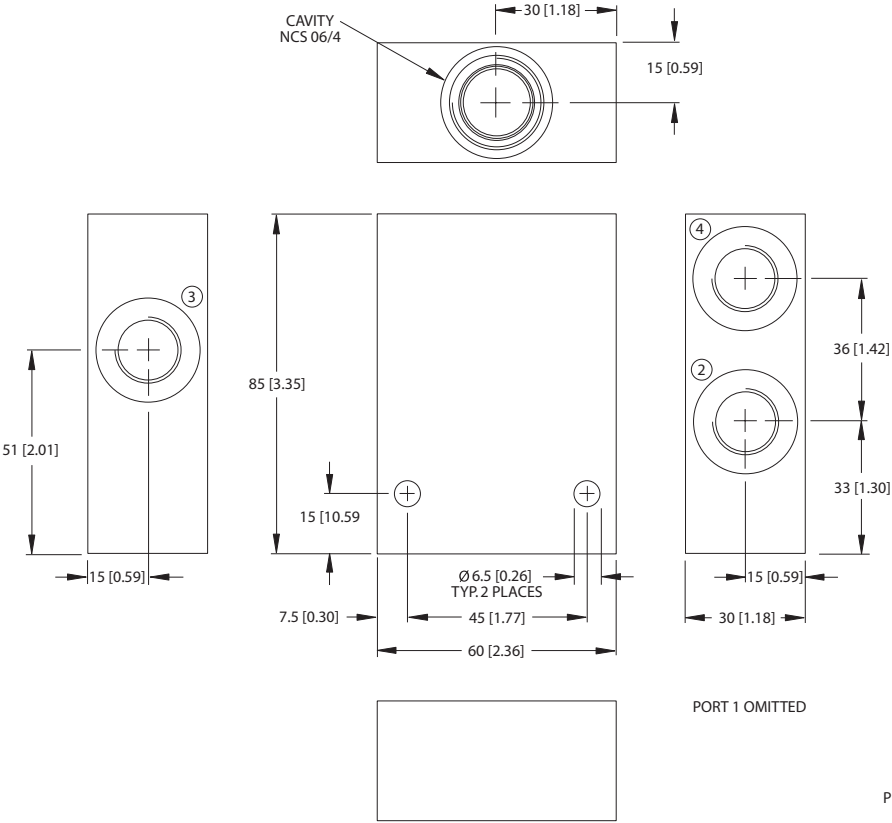


Cartridge Valves Technical Information

Housings

NCS06/4 (LD)

Housing drawing



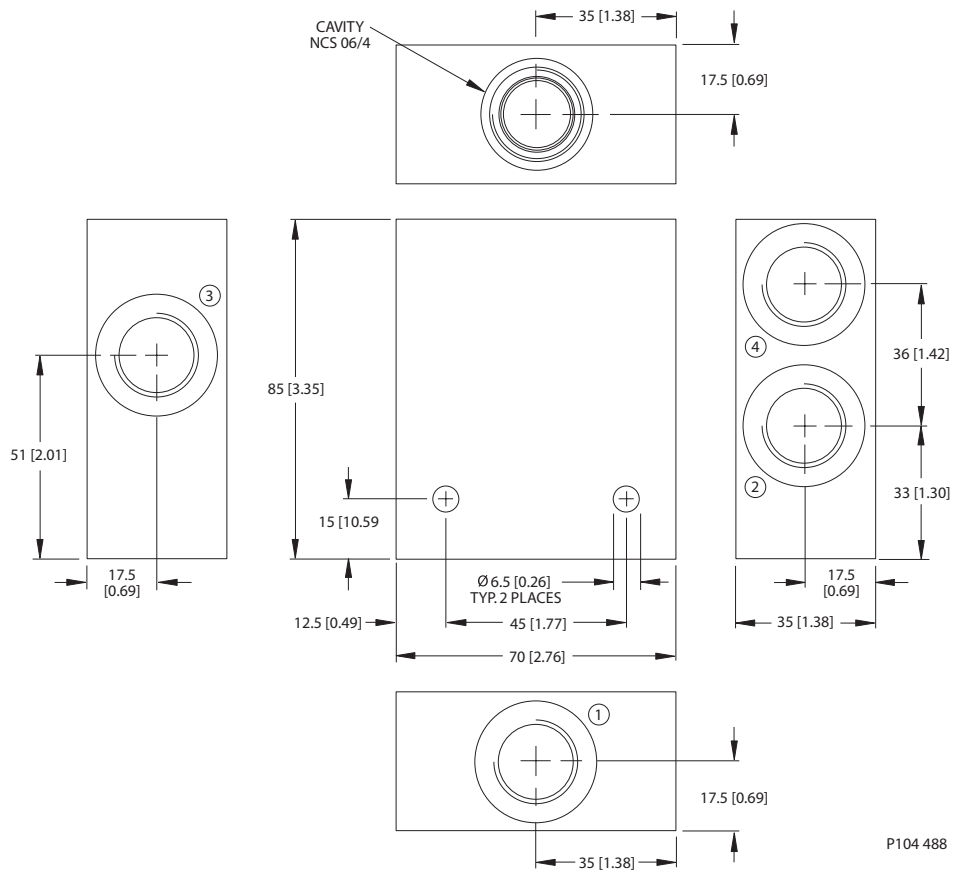
P104 489

Options

Order Code	Description	Style	Ports
NCS06/4-LD-3/8	Aluminum Housing, No Port #1	LD	3/8 BSP

Cartridge Valves Technical Information
 Housings
 NCS06/4 (L)

Dimensions



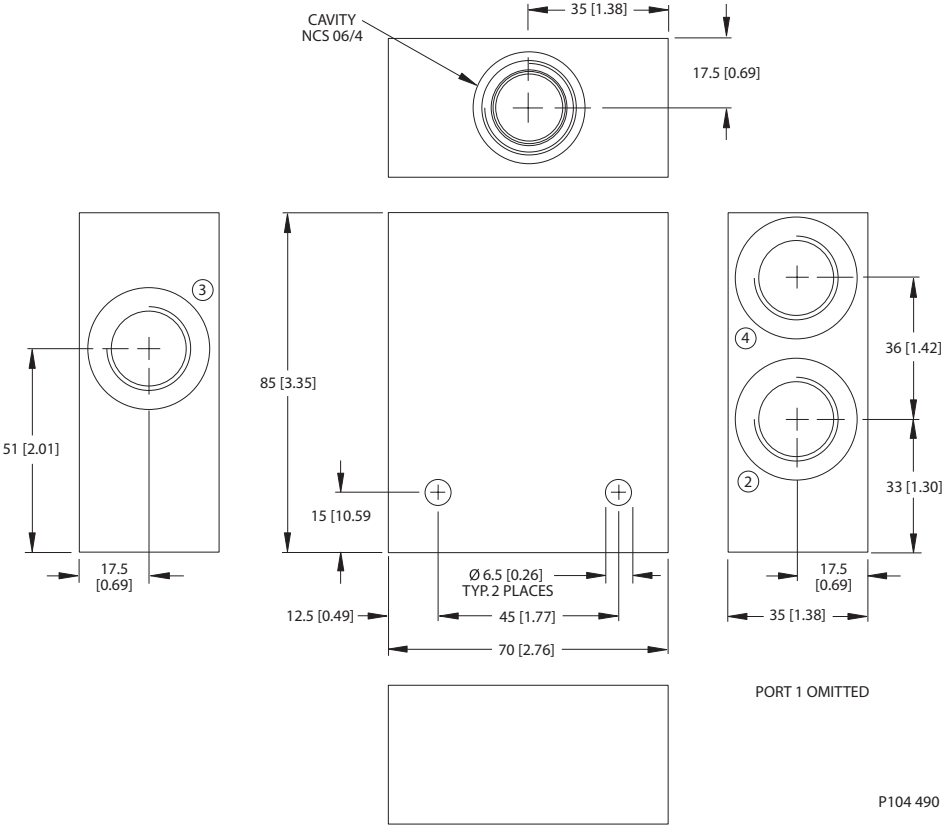
Options

Order Code	Description	Style	Ports
NCS06/4-L-1/2	Aluminum Housing	L	1/2 BSP
NCS06/4-L-8S	Aluminum Housing	L	SAE #8



Cartridge Valves Technical Information
Housings
NCS06/4 (LD)

Housing drawing



Options

Order Code	Description	Style	Ports
NCS06/4-LD-1/2	Aluminum Housing, No Port #1	LD	1/2 BSP

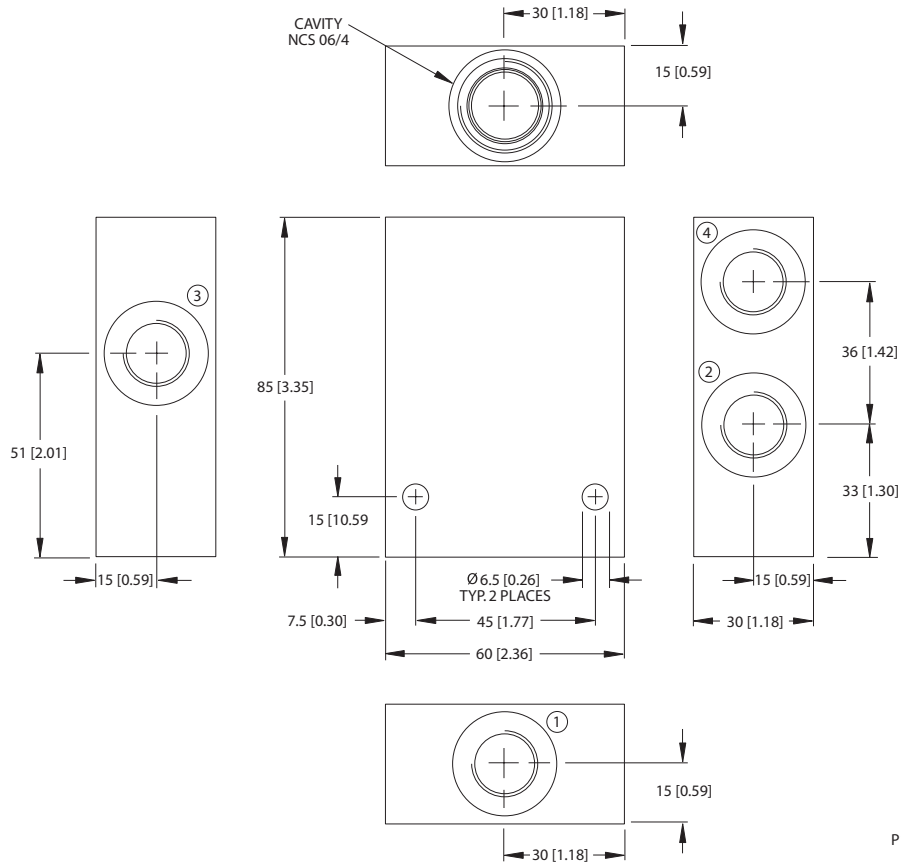


Cartridge Valves Technical Information

Housings

NCS06/4 (L)

Dimensions



Options

Order Code	Description	Style	Ports
NCS06/4-L-3/8	Aluminum Housing	L	3/8 BSP
NCS06/4-L-6S	Aluminum Housing	L	SAE #6

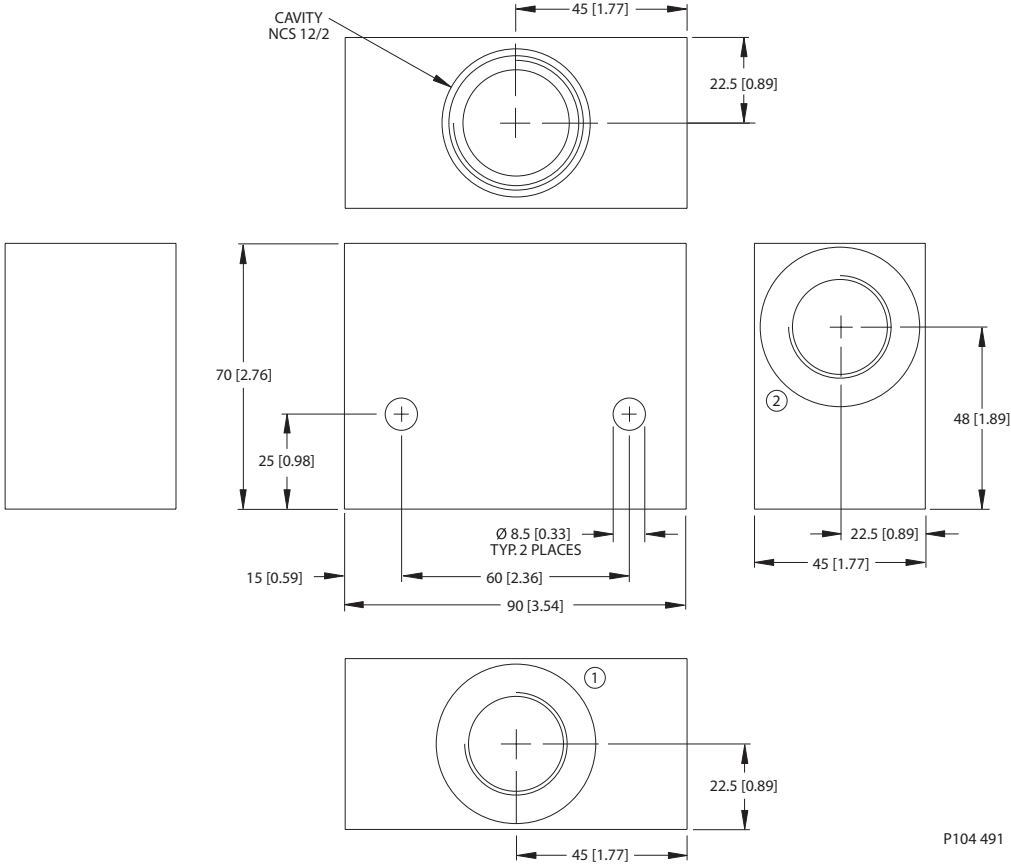


Cartridge Valves Technical Information

Housings

NCS12/2 (DG)

Housing drawing



P104 491

Options

Order Code	Description	Style	Ports
NCS12/2-DG-1/2	Aluminum Housing	DG	1/2 BSP
NCS12/2-DG-12S	Aluminum Housing	DG	SAE #12
NCS12/2-DG-3/4	Aluminum Housing	DG	3/4 BSP
NCS12/2-DG-8S	Aluminum Housing	DG	SAE #8

Housings
NCS12/2 (DG)

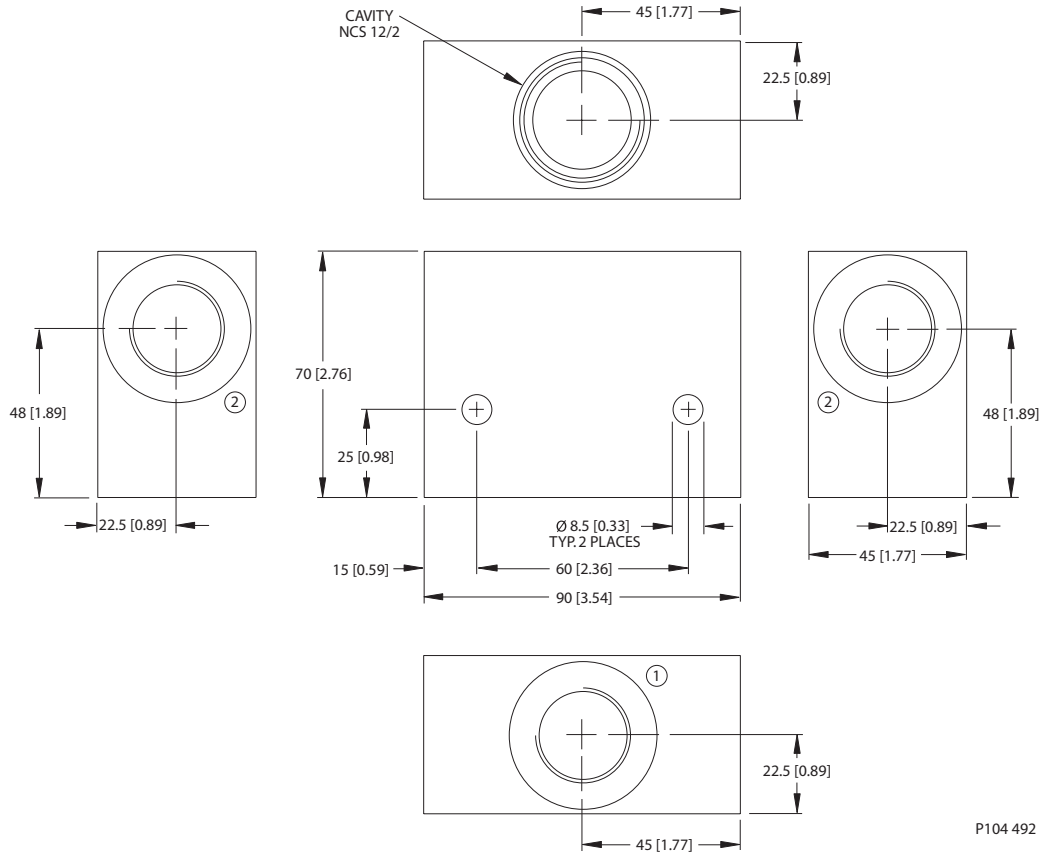


Cartridge Valves Technical Information

Housings

NCS12/2 (LG1)

Dimensions



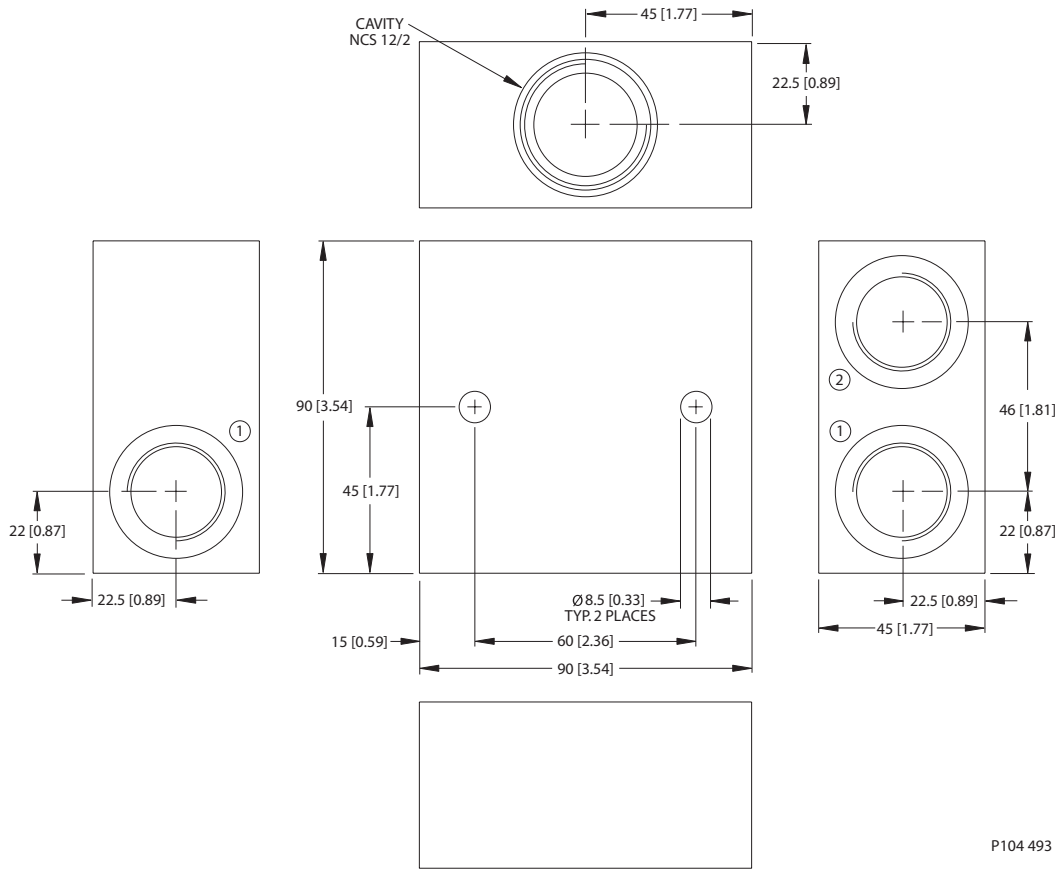
P104 492

Options

Order Code	Description	Style	Ports
NCS12/2-LG1-12S	Aluminum Housing, Two #2 Ports	LG1	SAE #12
NCS12/2-LG1-8S	Aluminum Housing, Two #2 Ports	LG1	SAE #8

Cartridge Valves Technical Information
 Housings
 NCS12/2 (LG2)

Housing drawing



P104 493

Options

Order Code	Description	Style	Ports
NCS12/2-LG2-1/2	Aluminum Housing, Two #1 Ports	LG2	1/2 BSP
NCS12/2-LG2-12S	Aluminum Housing, Two #1 Ports	LG2	SAE #12
NCS12/2-LG2-3/4	Aluminum Housing, Two #1 Ports	LG2	3/4 BSP
NCS12/2-LG2-8S	Aluminum Housing, Two #1 Ports	LG2	SAE #8

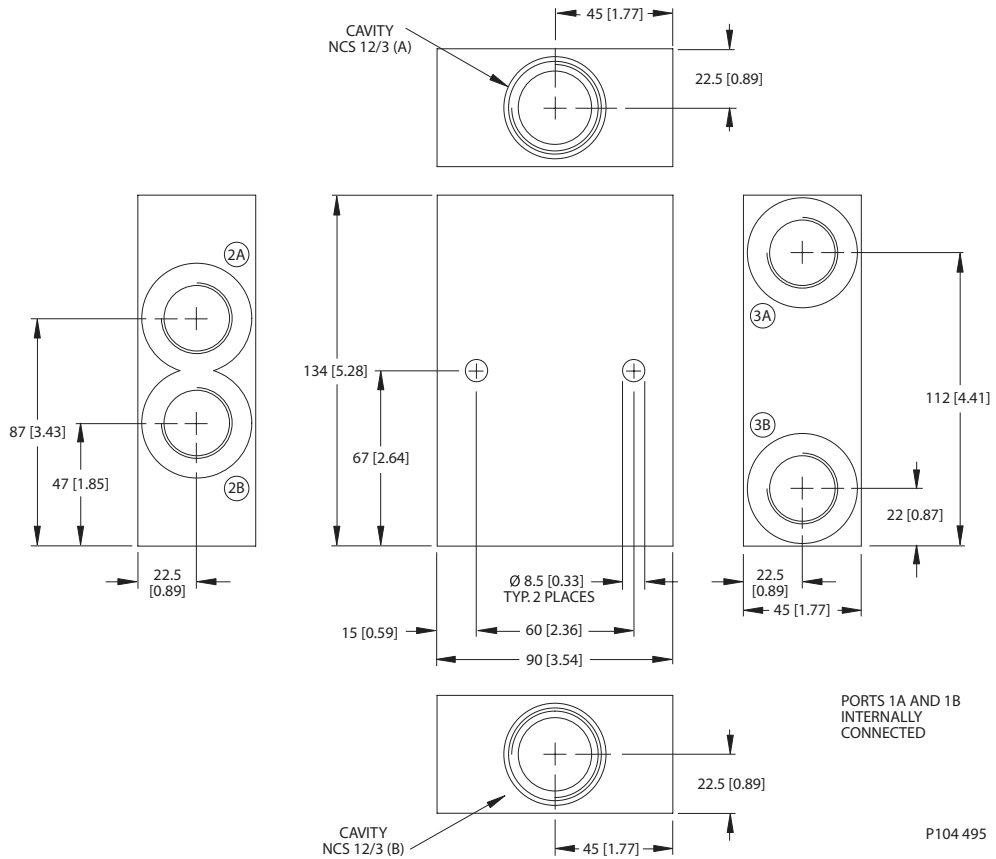


Cartridge Valves Technical Information

Housings

NCS12/3 (DL)

Dimensions



Options

Order Code	Description	Style	Ports
NCS12/3-DL-12S	Alum. Hsg., 2 Cavities w/#1 Ports Conn.	DL	SAE #12
NCS12/3-DL-8S	Alum. Hsg., 2 Cavities w/#1 Ports Conn.	DL	SAE #8

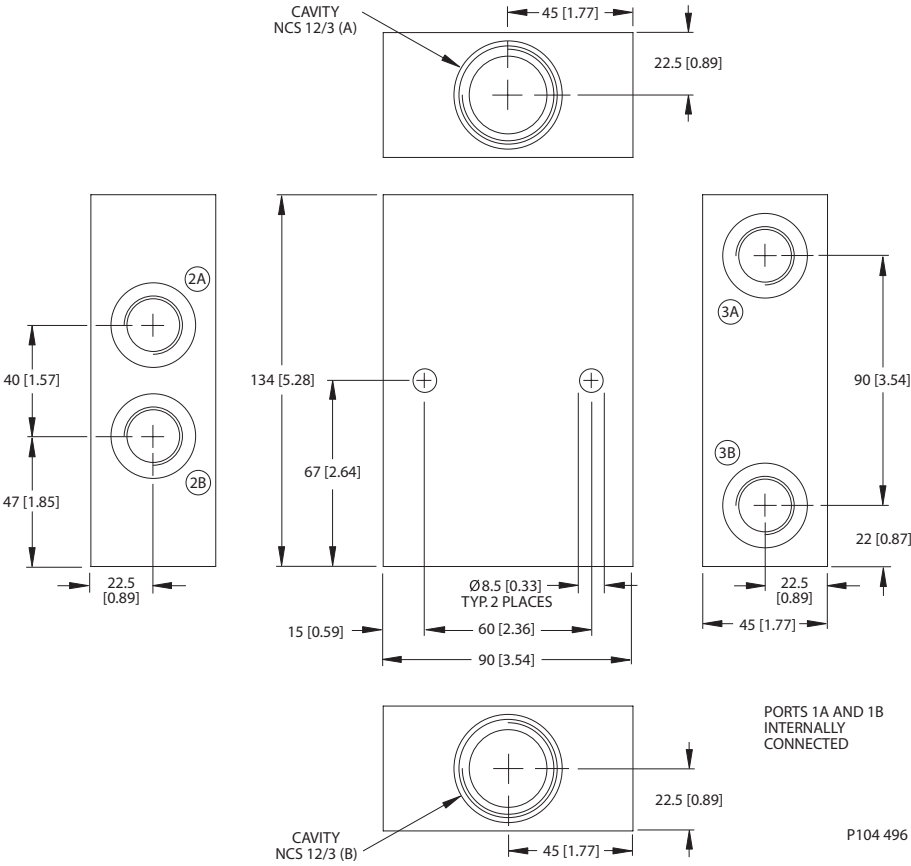


Cartridge Valves Technical Information

Housings

NCS12/3 (DL)

Housing drawing



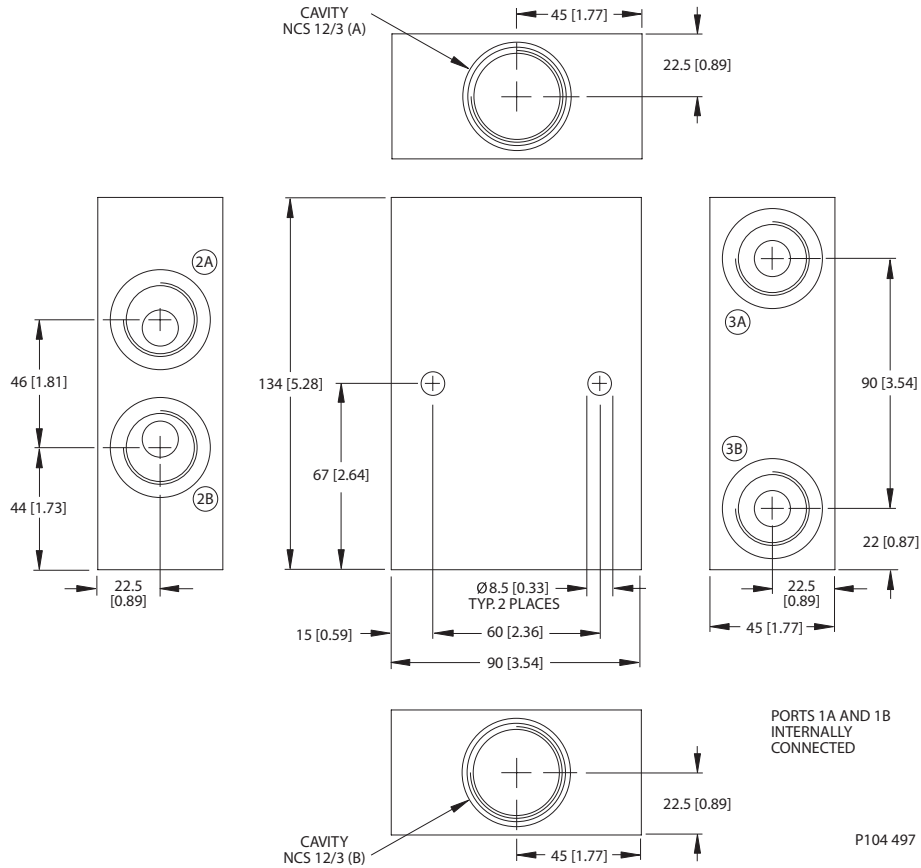
Options

Order Code	Description	Style	Ports
NCS12/3-DL-1/2	Alum. Hsg., 2 Cavities w/#1 Ports Conn.	DL	1/2 BSP

Housings
NCS12/3 (DL) 3/215CSN

Cartridge Valves Technical Information
 Housings
 NCS12/3 (DL)

Dimensions



Options

Order Code	Description	Style	Ports
NCS12/3-DL-3/4	Alum. Hsg., 2 Cavities w/#1 Ports Conn.	DL	3/4 BSP

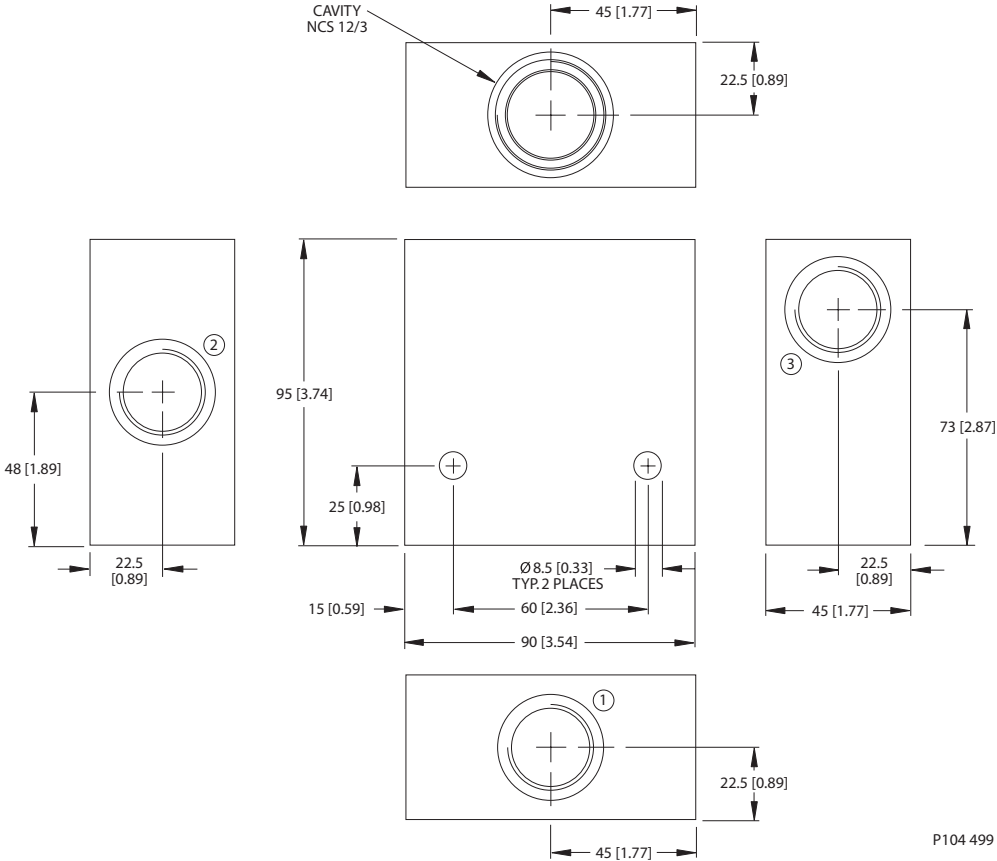


Cartridge Valves Technical Information

Housings

NCS12/3 (SE)

Housing drawing



P104 499

Options

Order Code	Description	Style	Ports
NCS12/3-SE-1	Aluminum Housing	SE	1/2 BSP
NCS12/3-SE-12S	Aluminum Housing	SE	SAE #12
NCS12/3-SE-3/4	Aluminum Housing	SE	3/4 BSP
NCS12/3-SE-8S	Aluminum Housing	SE	SAE #8

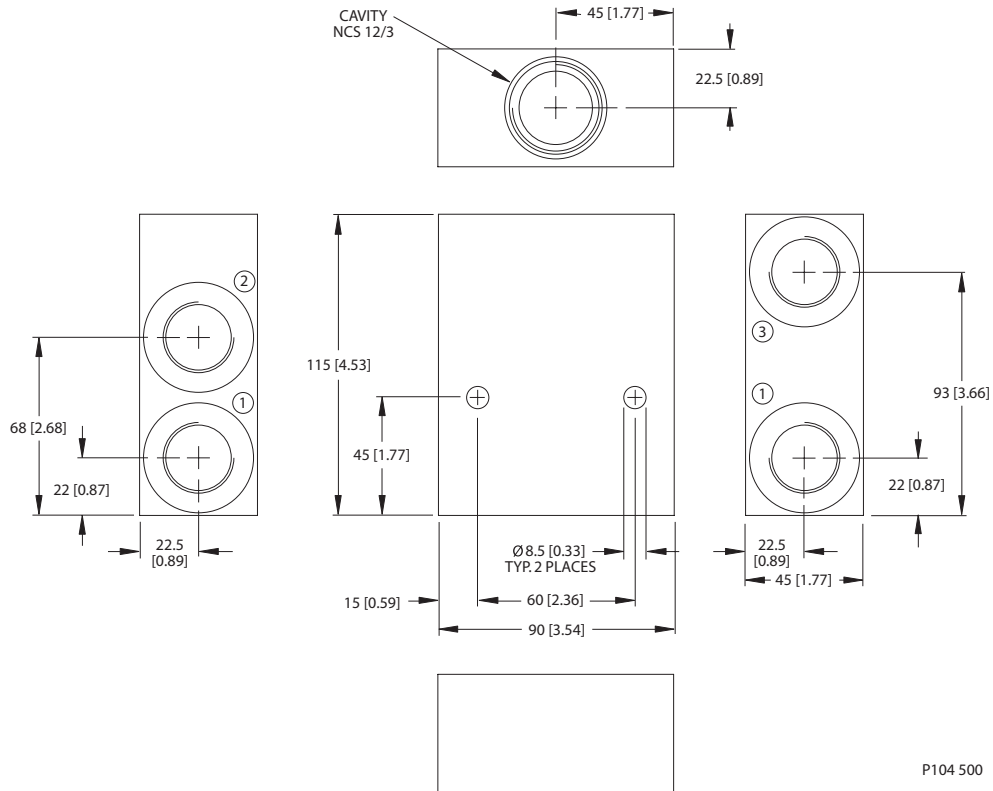


Cartridge Valves Technical Information

Housings

NCS12/3 (SI)

Dimensions



P104 500

Options

Order Code	Description	Style	Ports
NCS12/3-SI-1	Aluminum Housing, Two #1 Ports	SI	1/2 BSP
NCS12/3-SI-12S	Aluminum Housing, Two #1 Ports	SI	SAE #12
NCS12/3-SI-3/4	Aluminum Housing, Two #1 Ports	SI	3/4 BSP
NCS12/3-SI-8S	Aluminum Housing, Two #1 Ports	SI	SAE #8

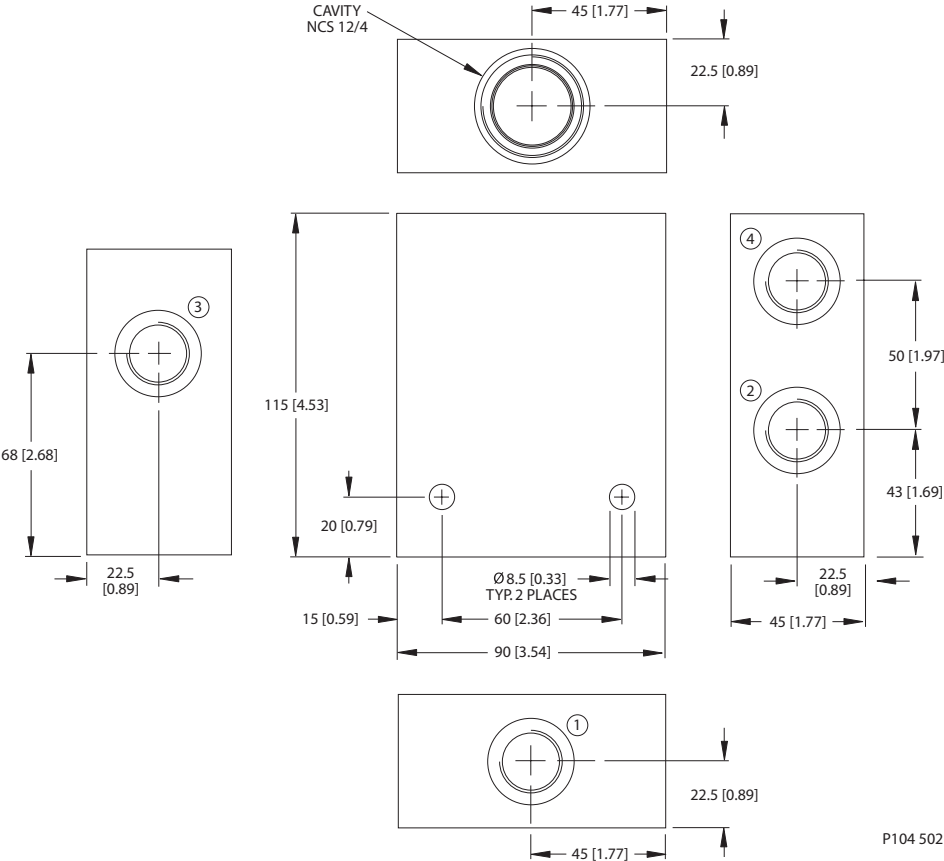


Cartridge Valves Technical Information

Housings

NCS12/4 (L)

Housing drawing



Options

Order Code	Description	Style	Ports
NCS12/4-L-1	Aluminum Housing	L	1/2 BSP
NCS12/4-L-3/4	Aluminum Housing	L	3/4 BSP

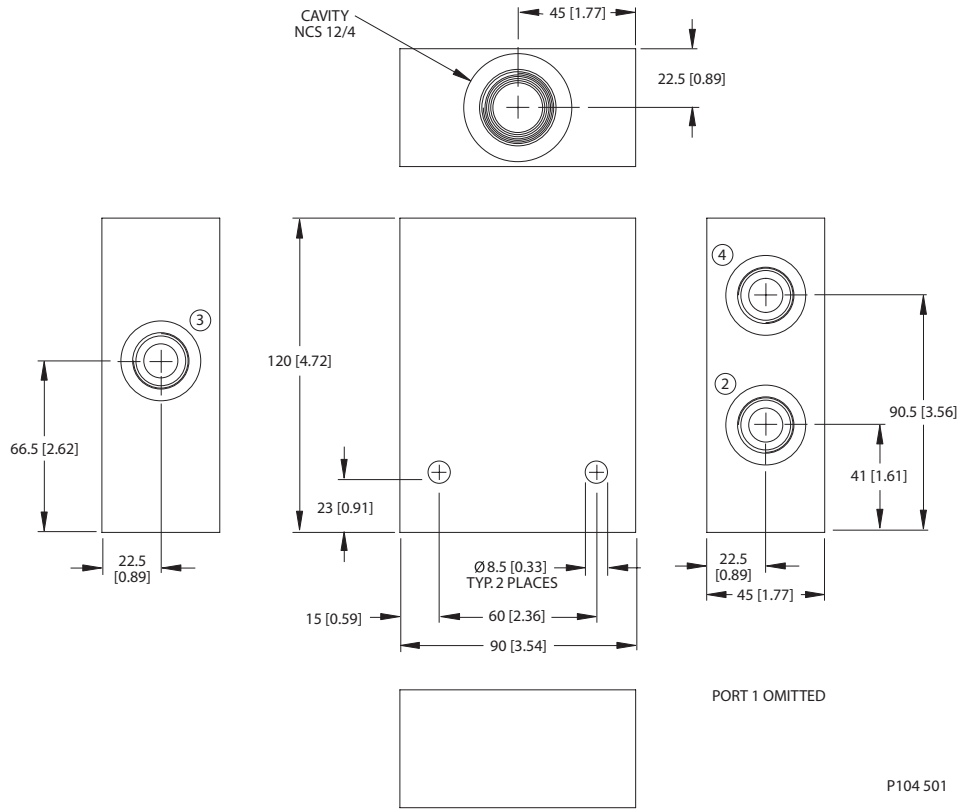


Cartridge Valves Technical Information

Housings

NCS12/4 (HD)

Dimensions



Options

Order Code	Description	Style	Ports
NCS12/4-HD-1	Aluminum Housing, No Port #1	HD	1/2 BSP

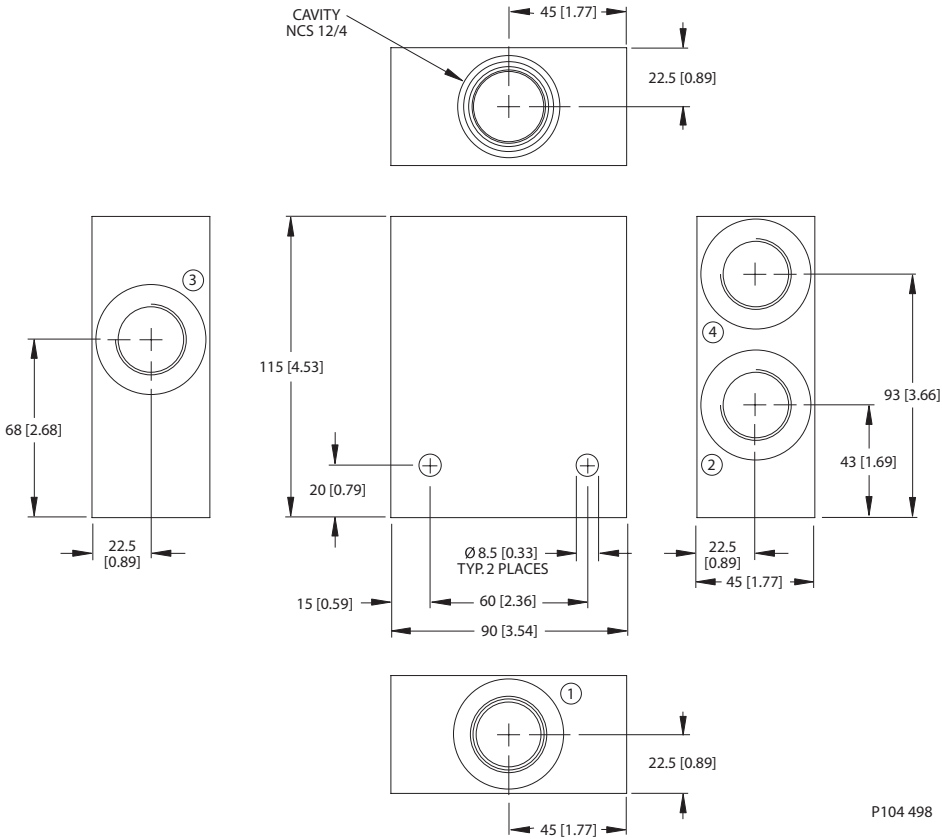


Cartridge Valves Technical Information

Housings

NCS12/4 (L)

Housing drawing



Options

Order Code	Description	Style	Ports
NCS12/4-L-12S	Aluminum Housing	L	SAE #12

Housings
NCS12/4 (L) #41SCN

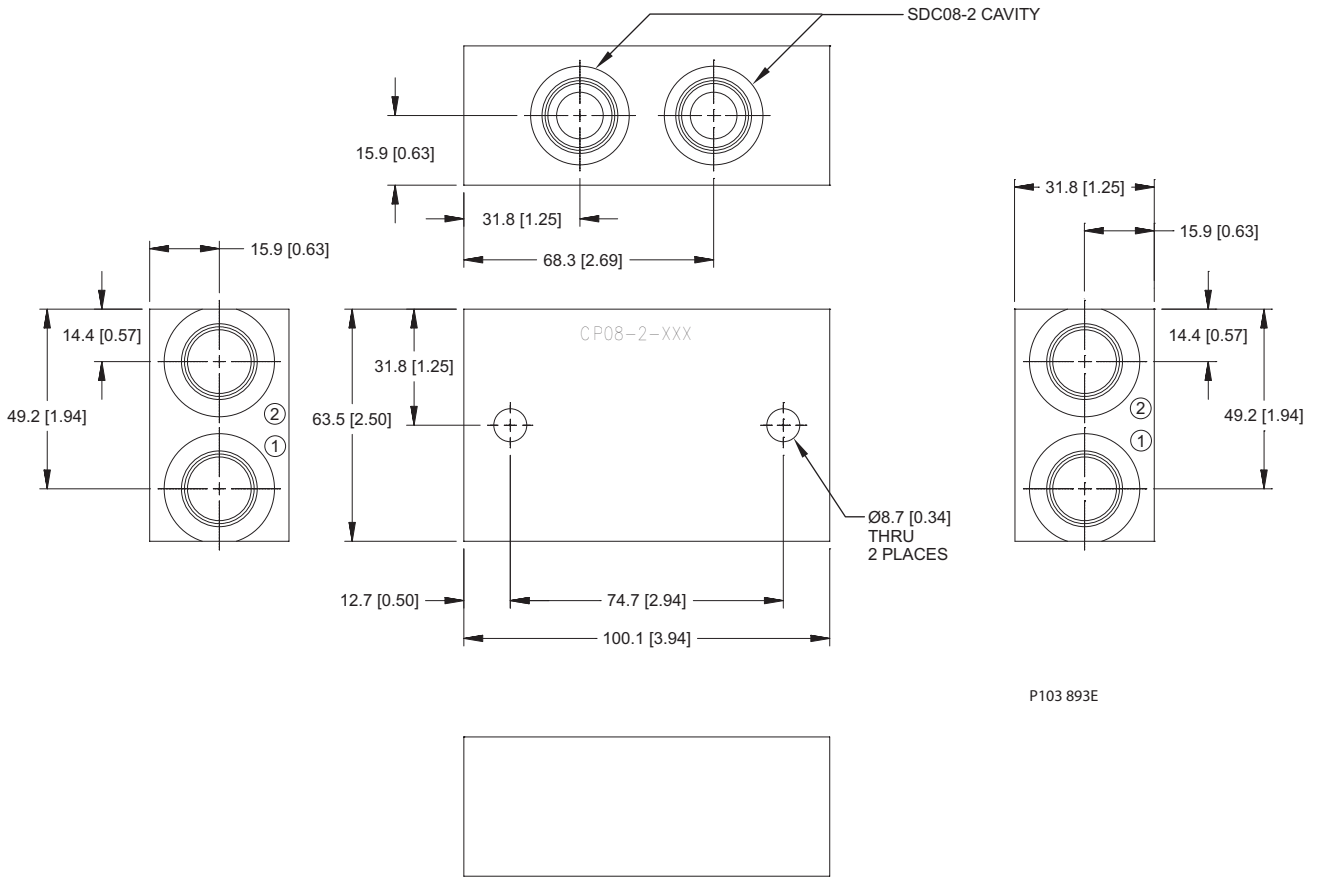


Cartridge Valves Technical Information

Housings

SDC08-2 (Parallel)

Dimensions



Options

Order Code	Description	Style	Ports
CP08-2-8S-2PL	Aluminum Housing - Parallel	Parallel	SAE #8

Housings SDC08-2 (Parallel)

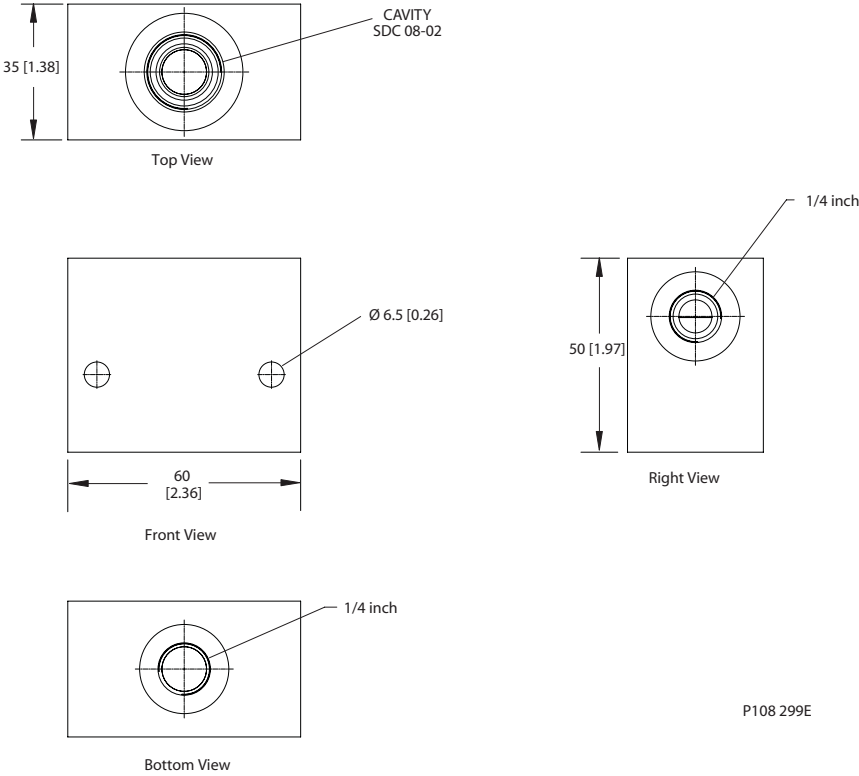


Cartridge Valves Technical Information

Housings

SDC08-2 (DG2)

Housing drawing



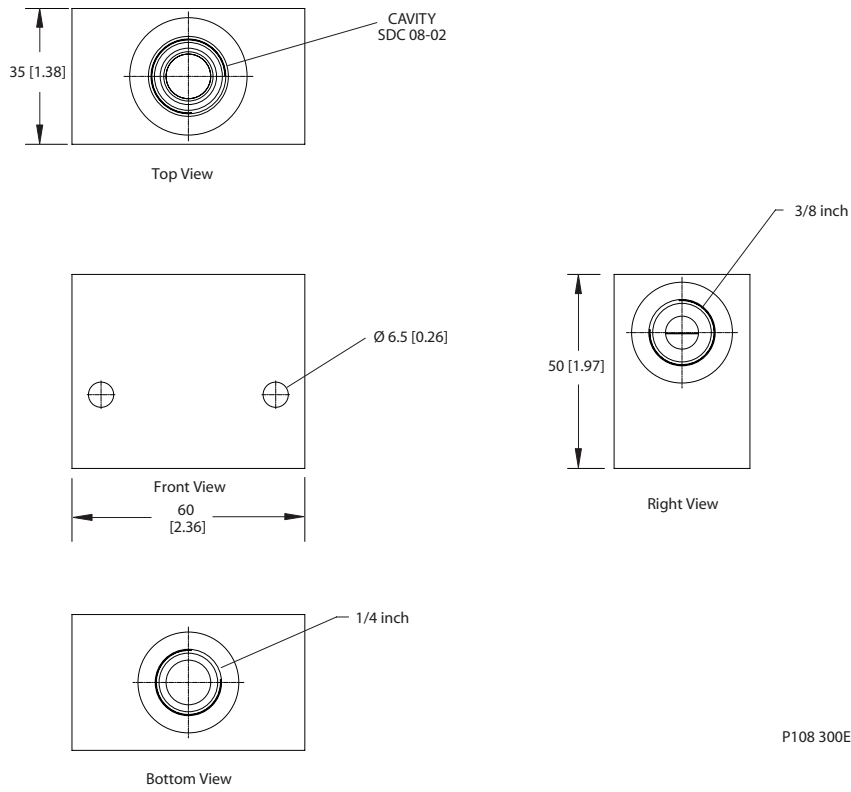
P108 299E

Options

Order Code	Description	Style	Ports
SDC08-2-DG-2B	Aluminum Housing, Two #2 Ports	DG2	1/4 BSP

Cartridge Valves Technical Information
 Housings
 SDC08-2 (DG3)

Housing drawing



Options

Order Code	Description	Style	Ports
SDC08-2-DG-3B	Aluminum Housing, Two #2 Ports	DG3	3/8 BSP

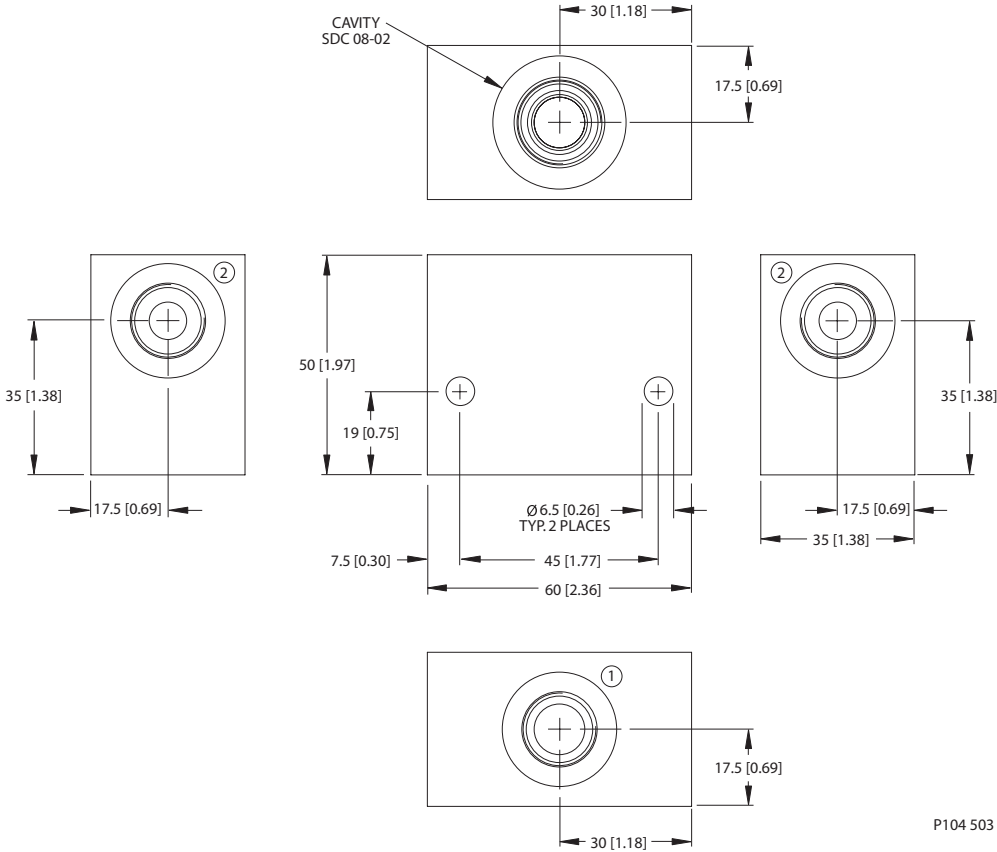


Cartridge Valves Technical Information

Housings

SDC08-2 (HG1)

Housing drawing



P104 503

Options

Order Code	Description	Style	Ports
SDC08-2-HG1-3B	Aluminum Housing, Two #2 Ports	HG1	3/8 BSP

SDC08-2 (HG1) Housings

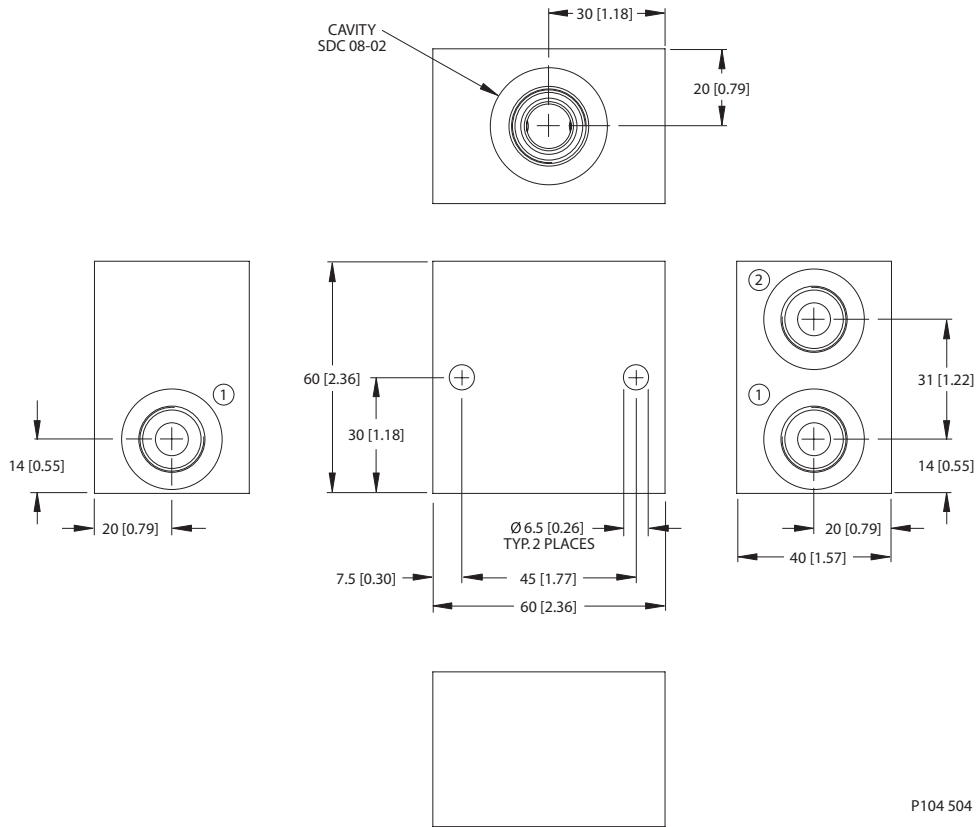


Cartridge Valves Technical Information

Housings

SDC08-2 (HG2)

Dimensions



Options

Order Code	Description	Style	Ports
SDC08-2-HG2-3B	Aluminum Housing, Two #1 Ports	HG2	3/8 BSP

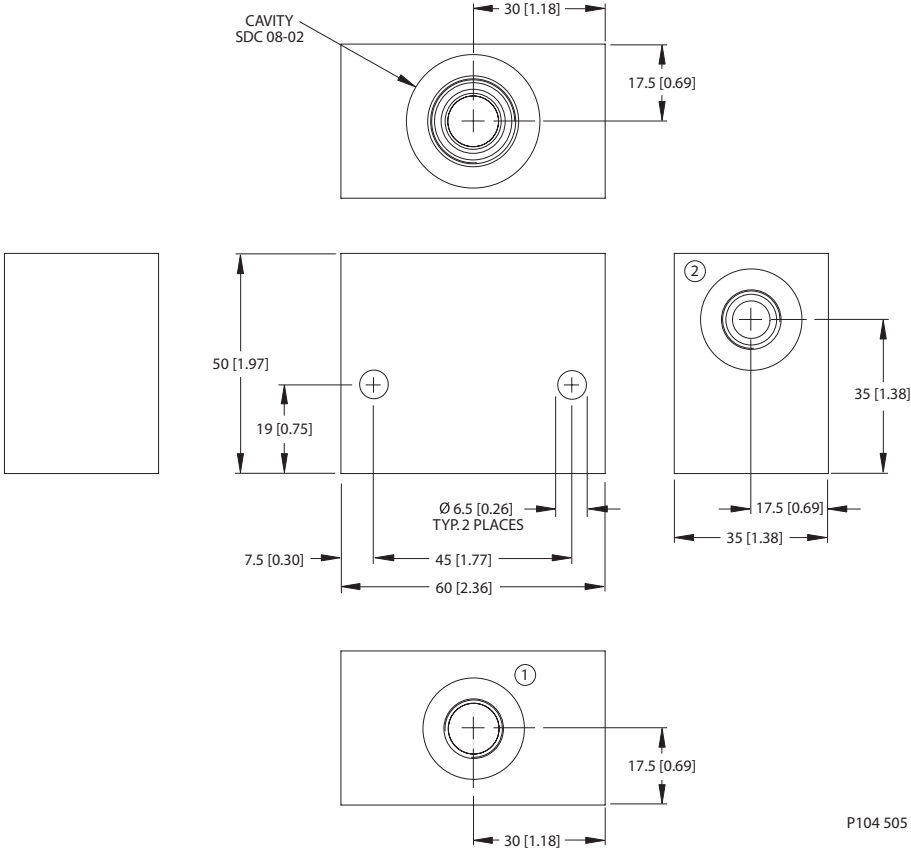


Cartridge Valves Technical Information

Housings

SDC08-2 (HG)

Housing drawing



P104 505

Options

Order Code	Description	Style	Ports
SDC08-2-HG-2B	Aluminum Housing	HG	1/4 BSP
SDC08-2-HG-3B	Aluminum Housing	HG	3/8 BSP

Housings (HG) 2-800DS

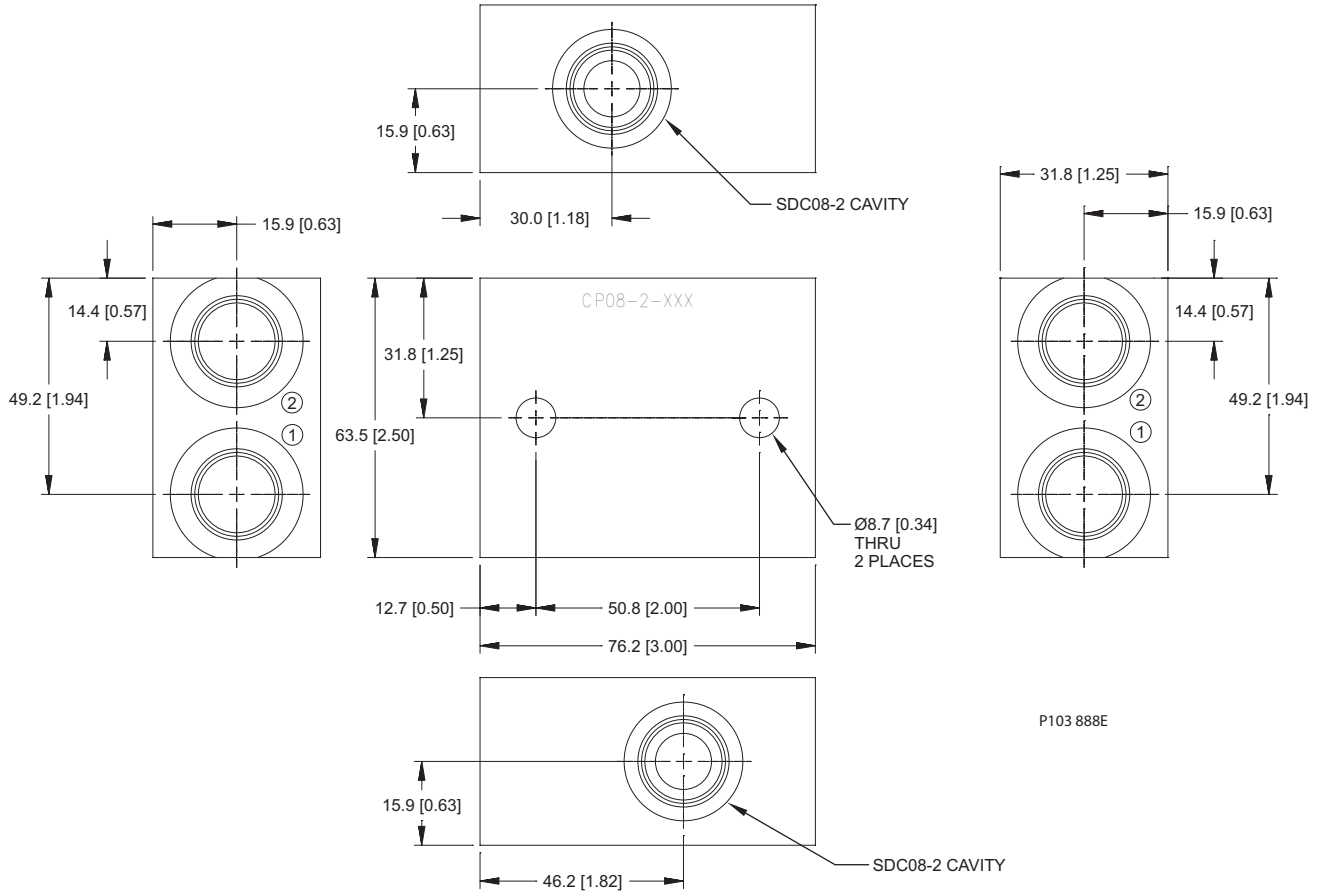


Cartridge Valves Technical Information

Housings

SDC08-2 (Crossover)

Dimensions



Options

Order Code	Description	Style	Ports
CP08-2-6S-2CR	Aluminum Housing - Crossover	Crossover	SAE #6
CP08-2-8S-2CR	Aluminum Housing - Crossover	Crossover	SAE #8

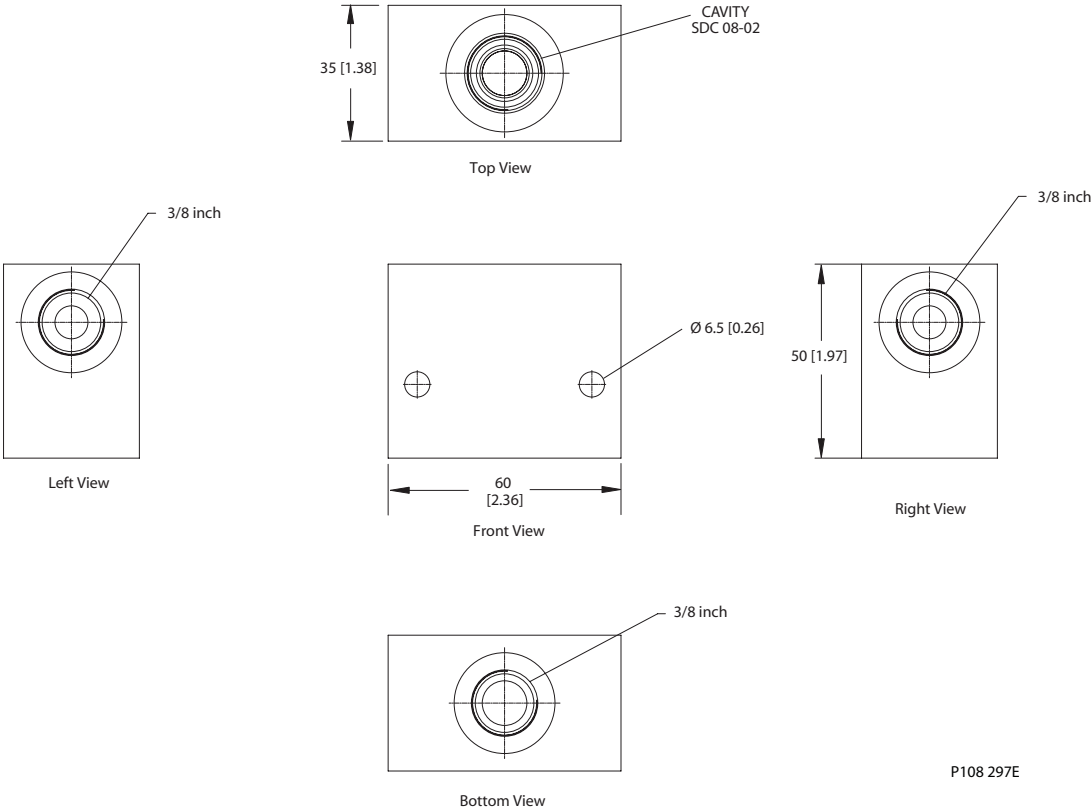


Cartridge Valves Technical Information

Housings

SDC08-2 (LG1)

Dimensions



Options

Order Code	Description	Style	Ports
SDC08-2-LG1-3B	Aluminum Housing	L	3/8 BSP

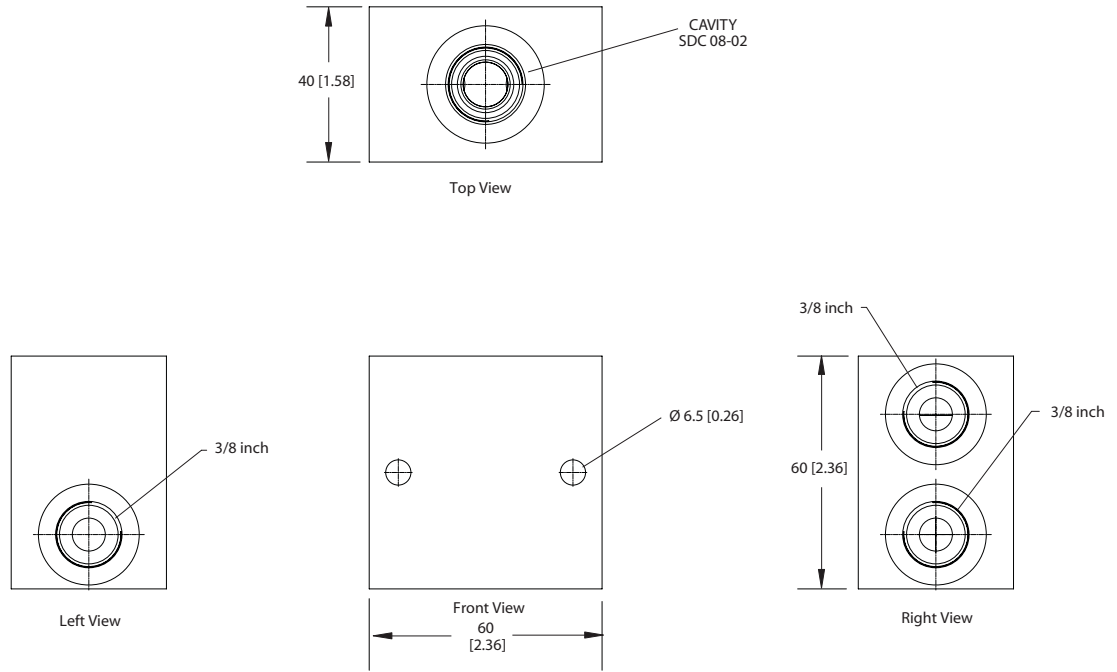


Cartridge Valves Technical Information

Housings

SDC08-2 (LG2)

Dimensions



P108 298E

Options

Order Code	Description	Style	Ports
SDC08-4-LG2-3B	Aluminum Housing	L	3/8 BSP

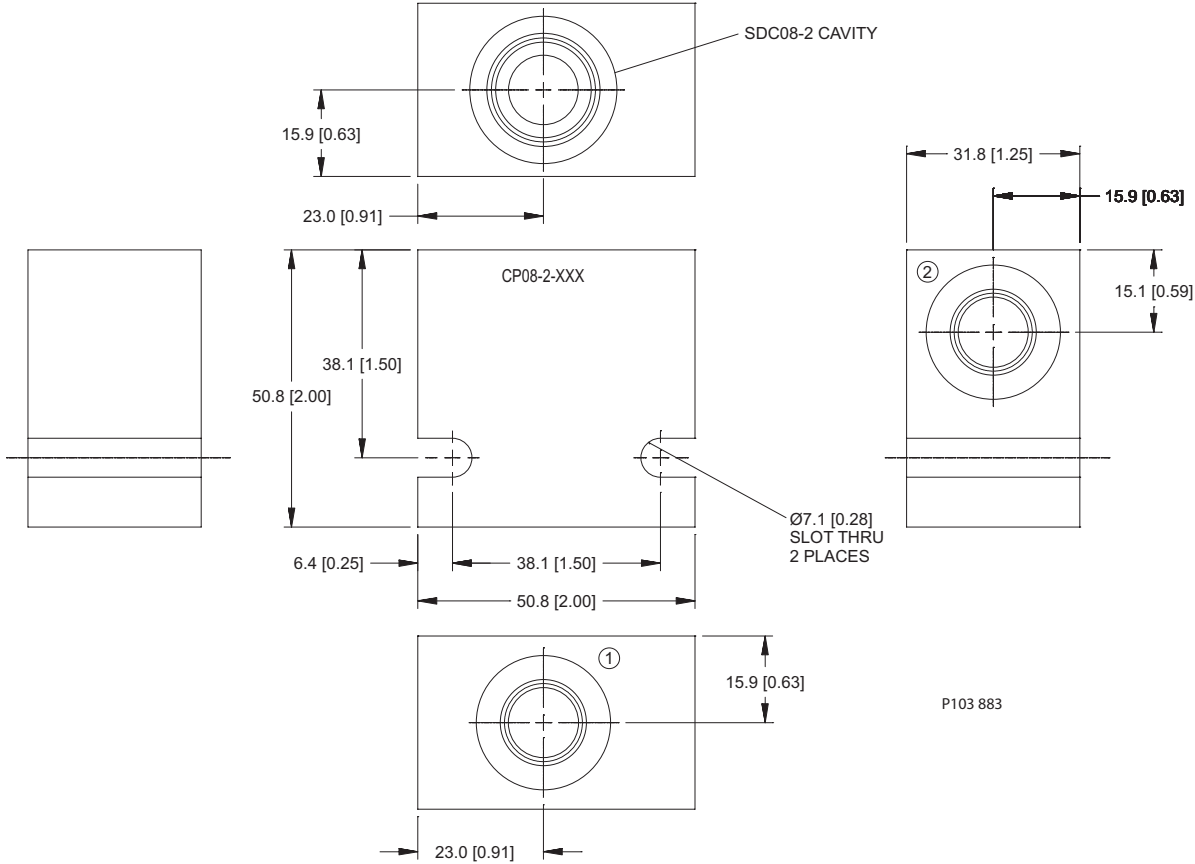


Cartridge Valves Technical Information

Housings

SDC08-2 (Standard)

Housing drawing



Options

Order Code	Description	Style	Ports
CP08-2-4S	Aluminum Housing	Standard	SAE #4
CP08-2-6S	Aluminum Housing	Standard	SAE #6
CP08-2-S4S	Steel Housing	Standard	SAE #4

SDC08-2 (Standard) Housings

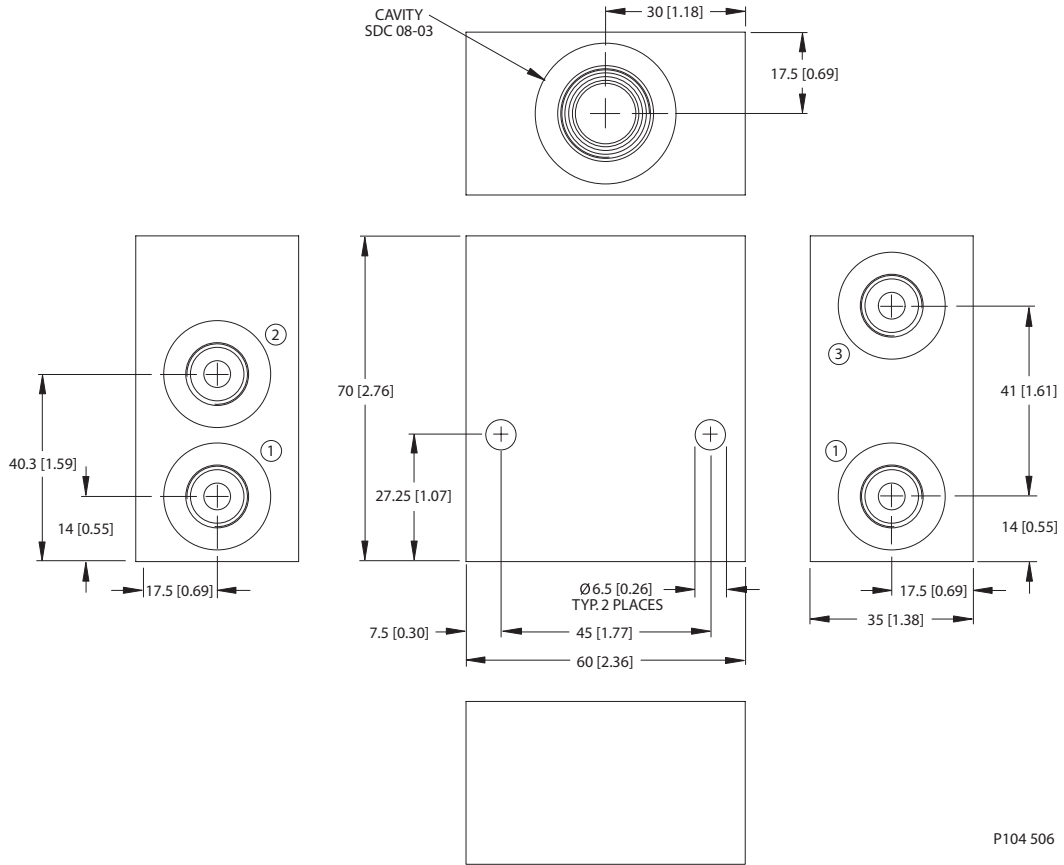


Cartridge Valves Technical Information

Housings

SDC08-3 (HI)

Dimensions



P104 506

Options

Order Code	Description	Style	Ports
SDC08-3-HI-2B	Aluminum Housing, Two #1 Ports	HI	1/4 BSP

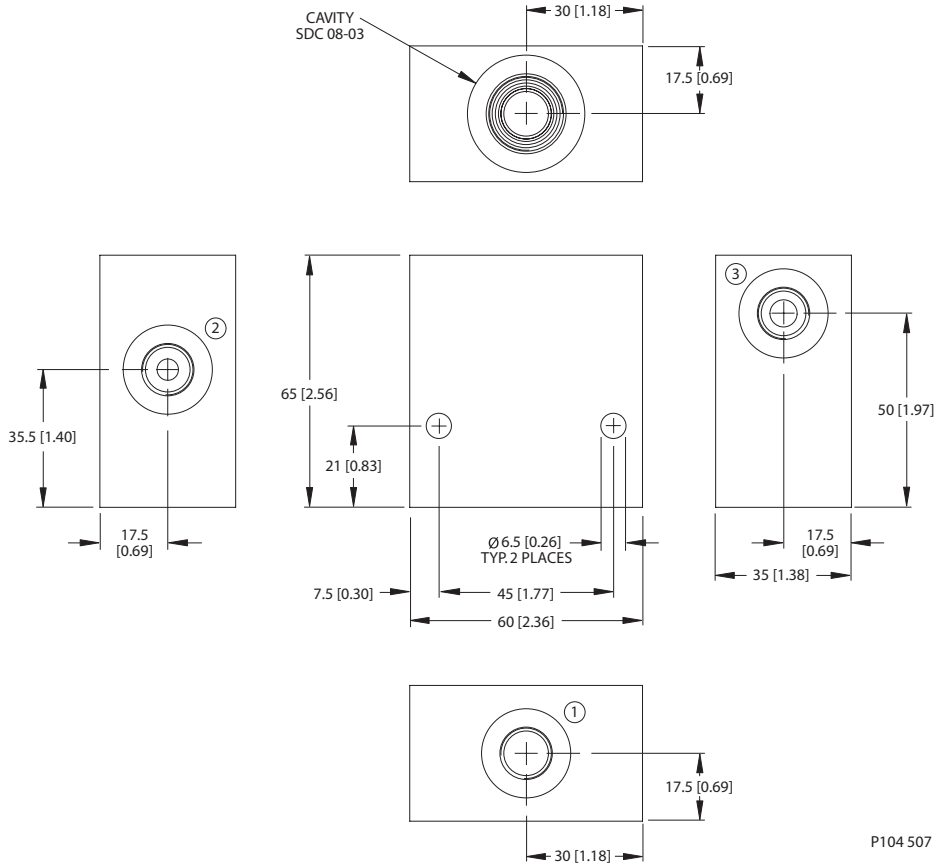


Cartridge Valves Technical Information

Housings

SDC08-3 (SE)

Housing drawing



P104 507

Options

Order Code	Description	Style	Ports
SDC08-3-SE-2B	Aluminum Housing	SE	1/4 BSP
SDC08-3-SE-3B	Aluminum Housing	SE	3/8 BSP

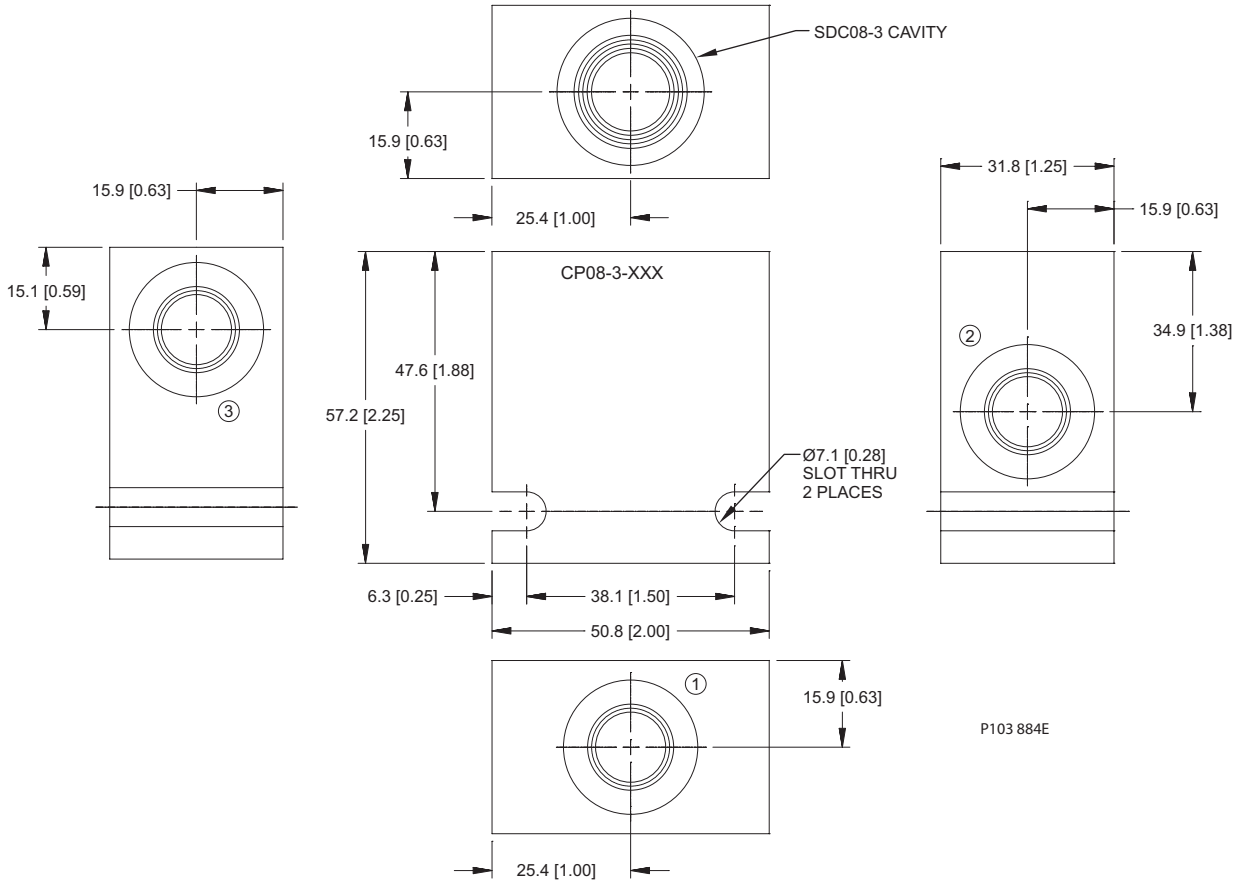


Cartridge Valves Technical Information

Housings

SDC08-3 (Standard)

Dimensions



Options

Order Code	Description	Style	Ports
CP08-3-4S	Aluminum Housing	Standard	SAE #4
CP08-3-6S	Aluminum Housing	Standard	SAE #6
CP08-3-S4S	Steel Housing	Standard	SAE #4
CP08-3-S6S	Steel Housing	Standard	SAE #6

Housings SDC08-3 (Standard)

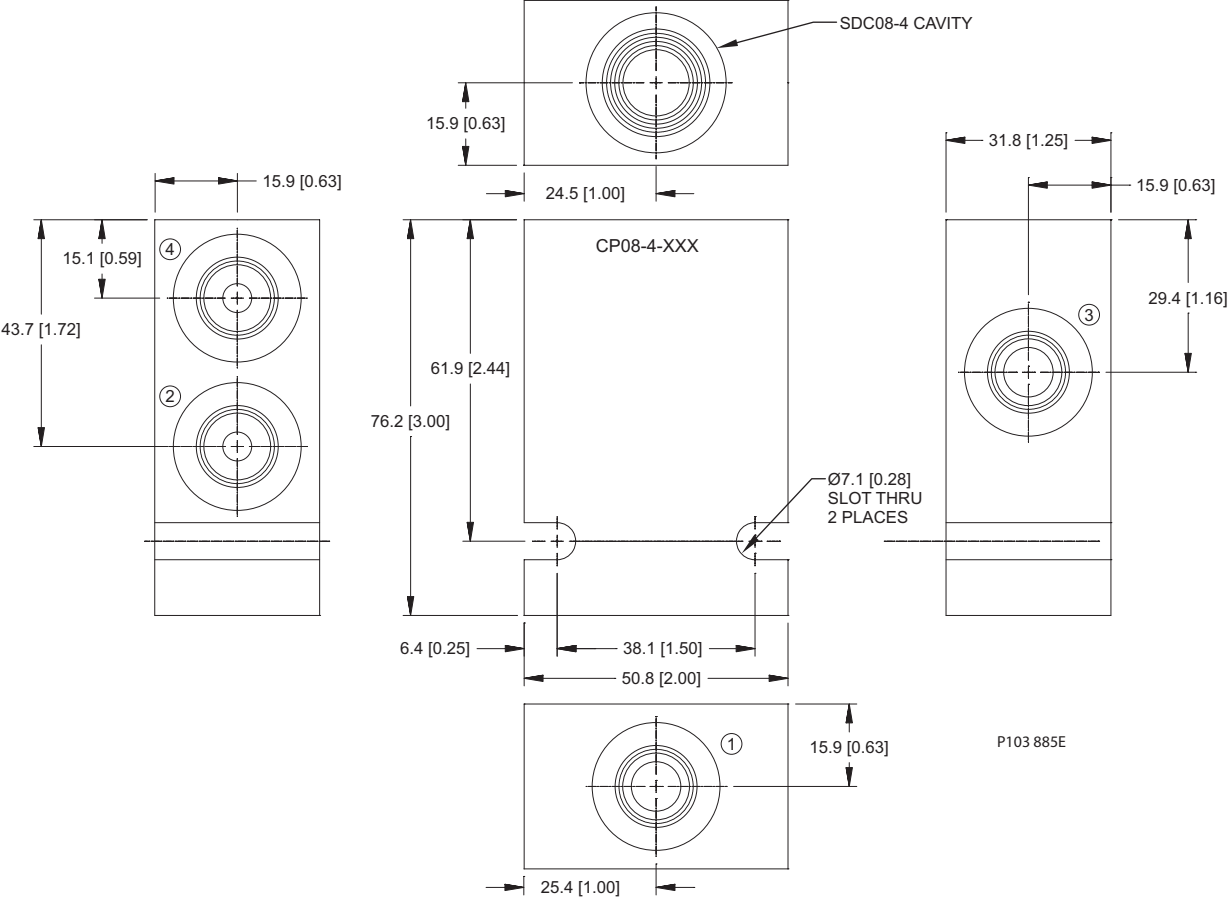


Cartridge Valves Technical Information

Housings

SDC08-4 (Standard)

Housing drawing



Options

Order Code	Description	Style	Ports
CP08-4-4S	Aluminum Housing	Standard	SAE #4
CP08-4-6S	Aluminum Housing	Standard	SAE #6

SDC08-4 (Standard) Housings

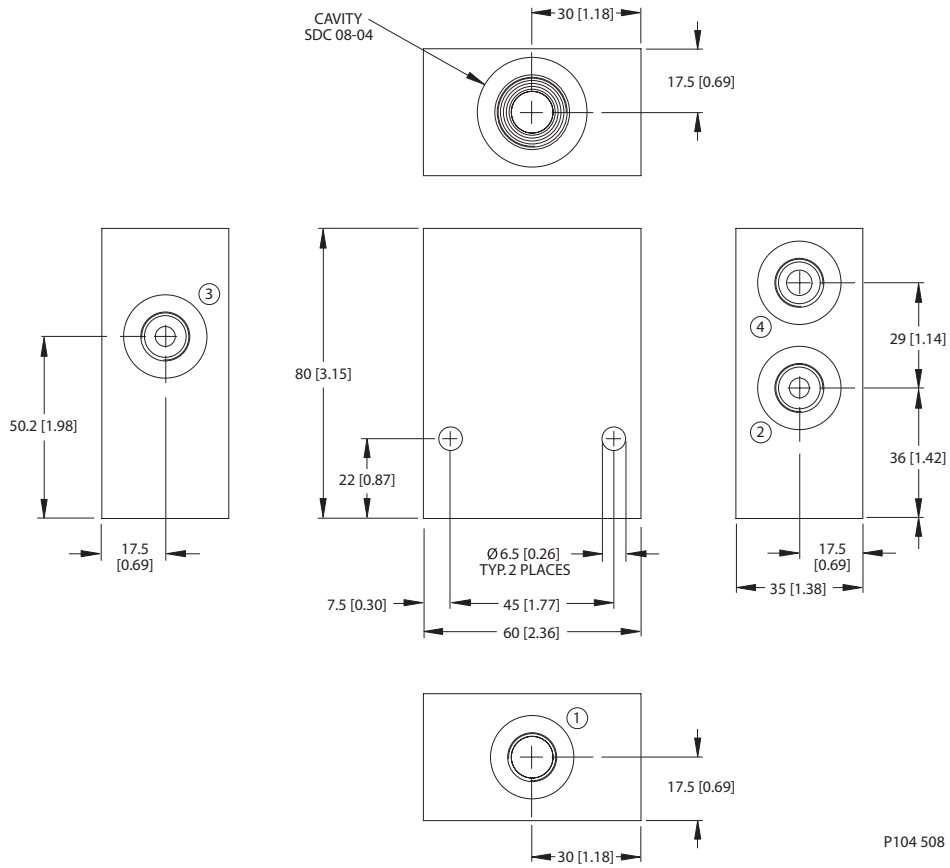


Cartridge Valves Technical Information

Housings

SDC08-4 (L)

Dimensions



Options

Order Code	Description	Style	Ports
SDC08-4-L-2B	Aluminum Housing	L	1/4 BSP

Housings SDC08-4 (L)

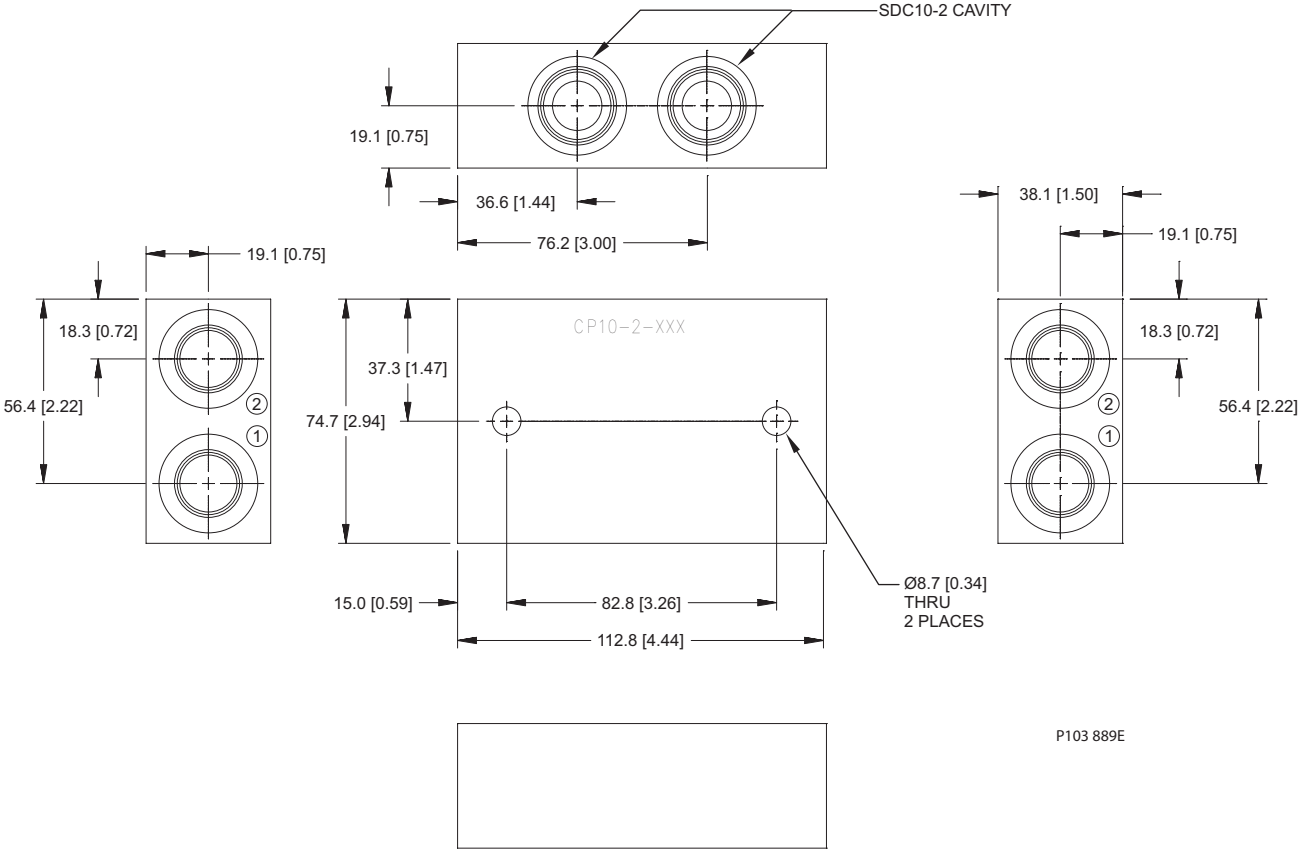


Cartridge Valves Technical Information

Housings

SDC10-2 (Parallel)

Housing drawing



Options

Order Code	Description	Style	Ports
CP10-2-8S-2PL	Parallel housing	Parallel	SAE #8

SDC10-2 (Parallel) Housings

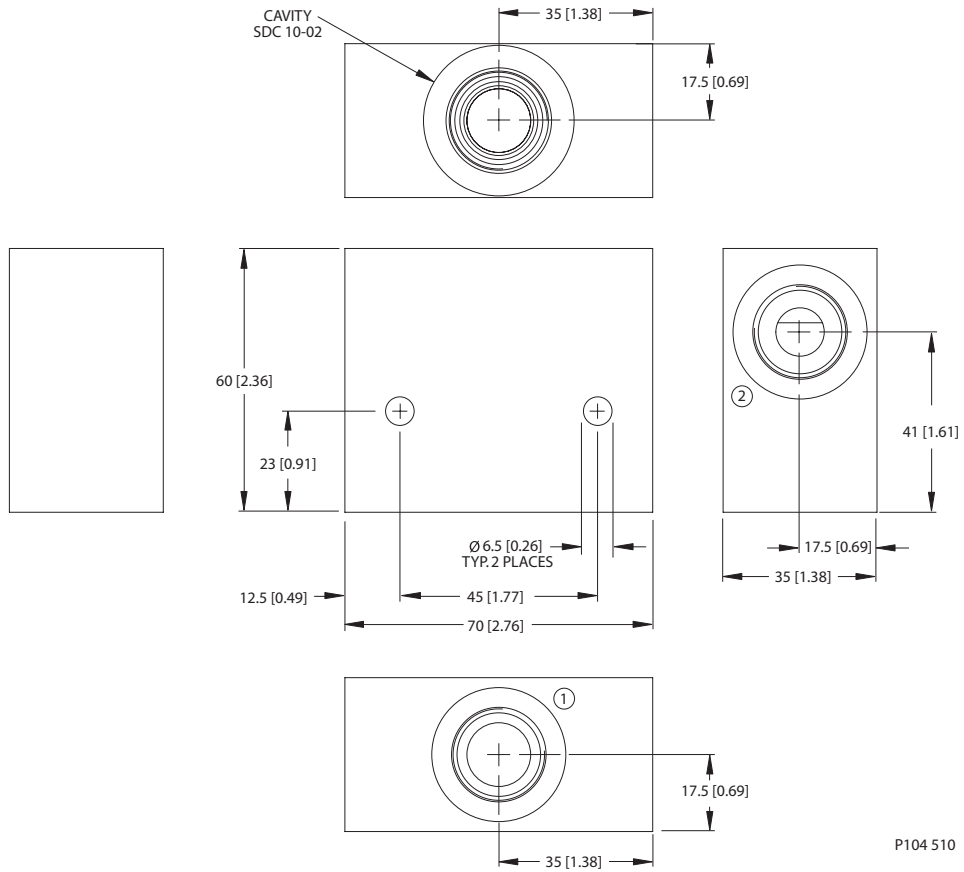


Cartridge Valves Technical Information

Housings

SDC10-2 (DG)

Dimensions



Options

Order Code	Description	Style	Ports
SDC10-2-DG-4B	Aluminum Housing	DG	1/2 BSP

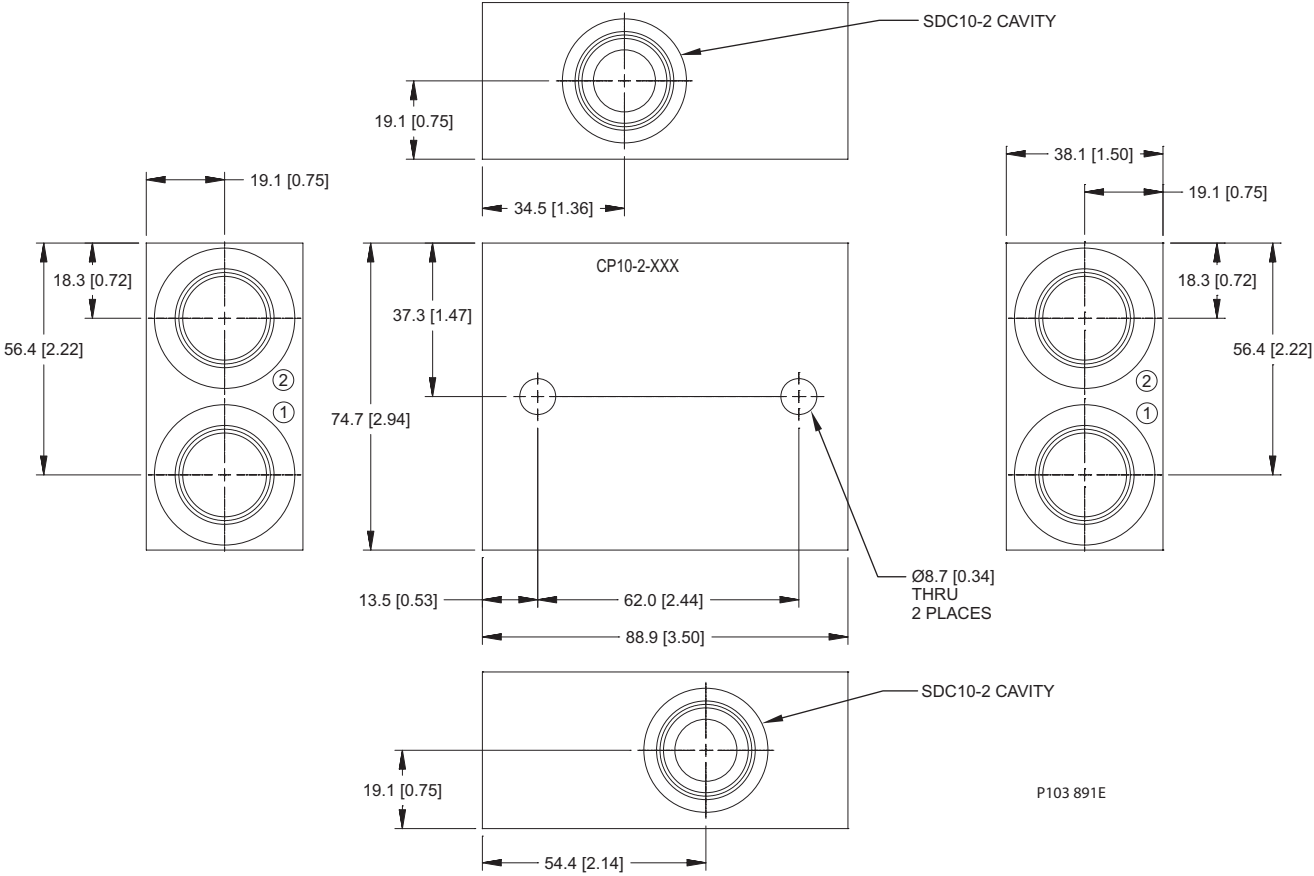


Cartridge Valves Technical Information

Housings

SDC10-2 (Crossover)

Housing drawing



Options

Order Code	Description	Style	Ports
CP10-2-10S-2CR	Aluminum Housing	Crossover	SAE #10

SDC10-2 (Crossover) Housings

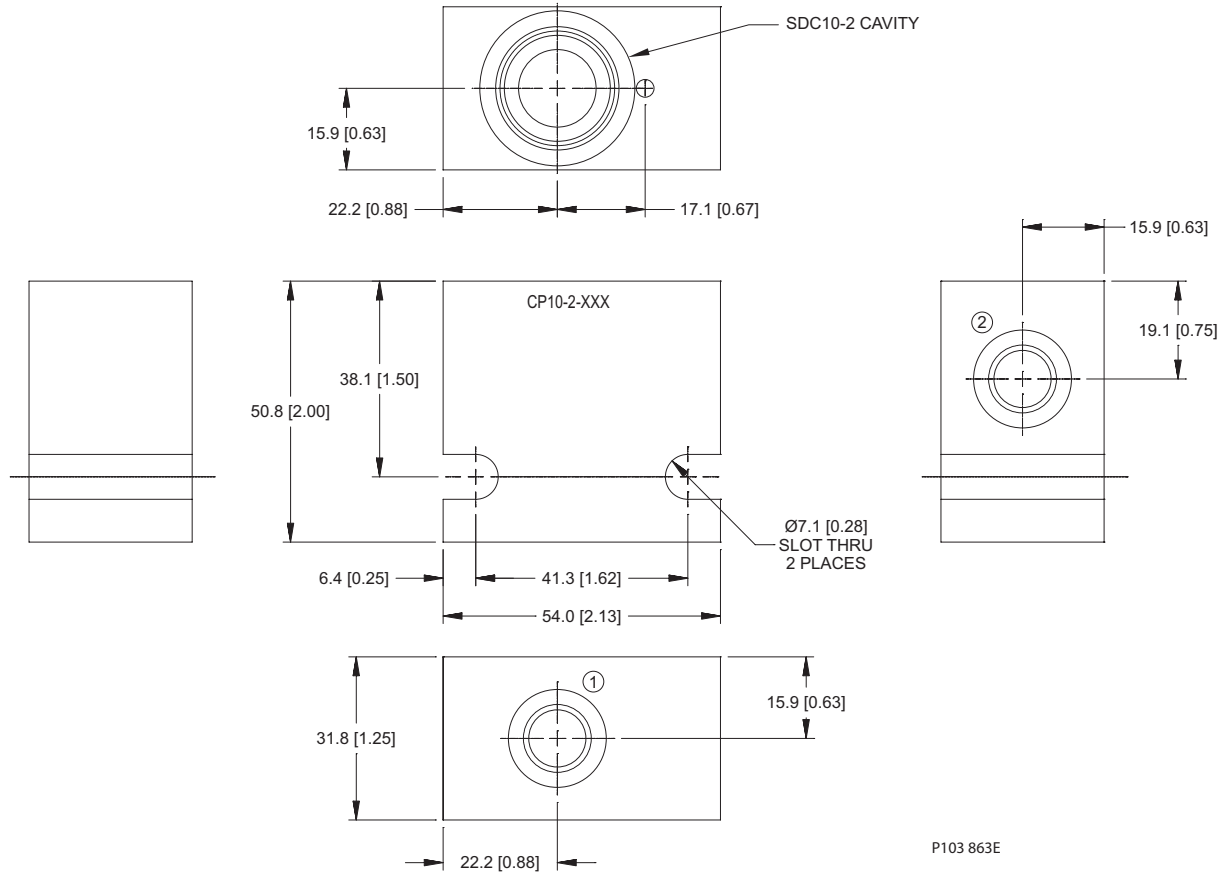


Cartridge Valves Technical Information

Housings

SDC10-2 (Standard)

Dimensions



Options

Order Code	Description	Style	Ports
CP10-2-6S	Aluminum Housing	Standard	SAE #6
CP10-2-8S	Aluminum Housing	Standard	SAE #8
CP10-2-S6S	Steel Housing	Standard	SAE #6
CP10-2-S8S	Steel Housing	Standard	SAE #8

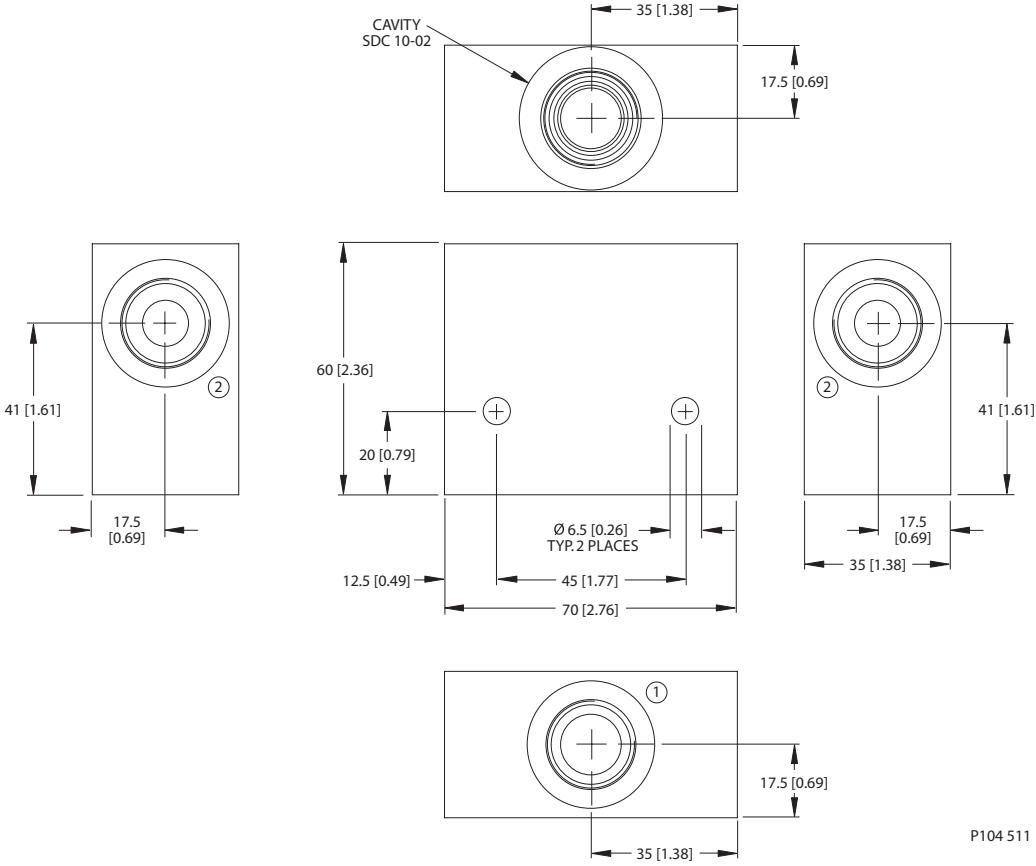


Cartridge Valves Technical Information

Housings

SDC10-2 (LG1)

Housing drawing



P104 511

Options

Order Code	Description	Style	Ports
SDC10-2-LG1-4B	Aluminum Housing, Two #2 Ports	LG1	1/2 BSP

Housings
SDC10-2 (LG1)

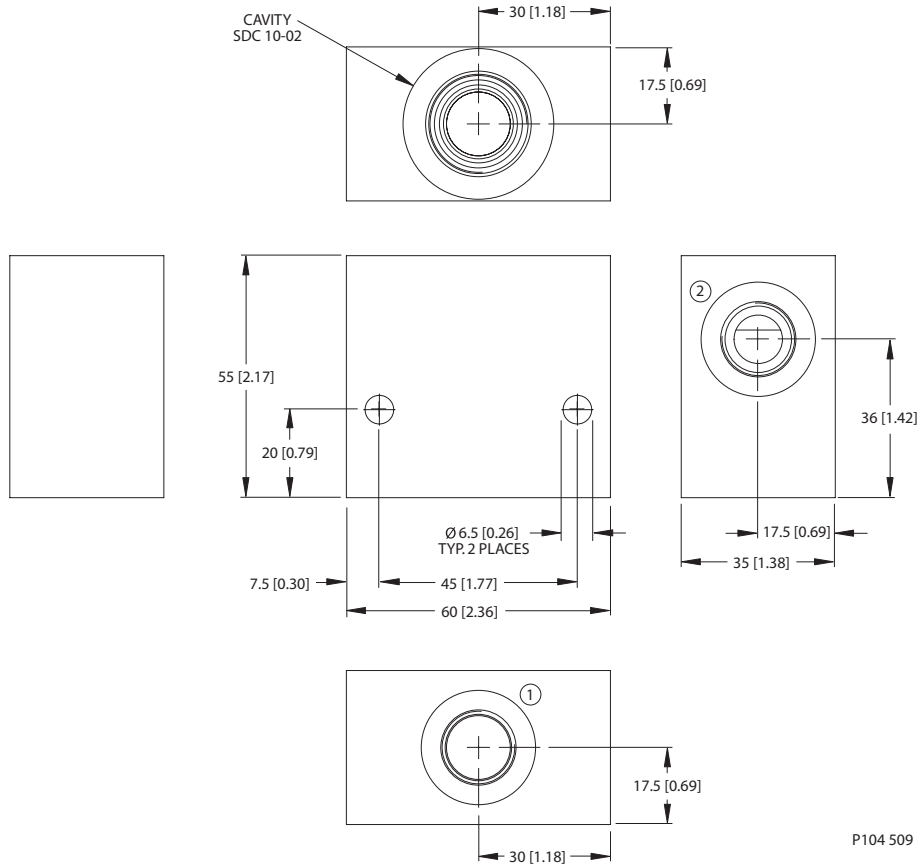


Cartridge Valves Technical Information

Housings

SDC10-2 (DG)

Dimensions



Options

Order Code	Description	Style	Ports
SDC10-2-DG-3B	Aluminum Housing	DG	3/8 BSP

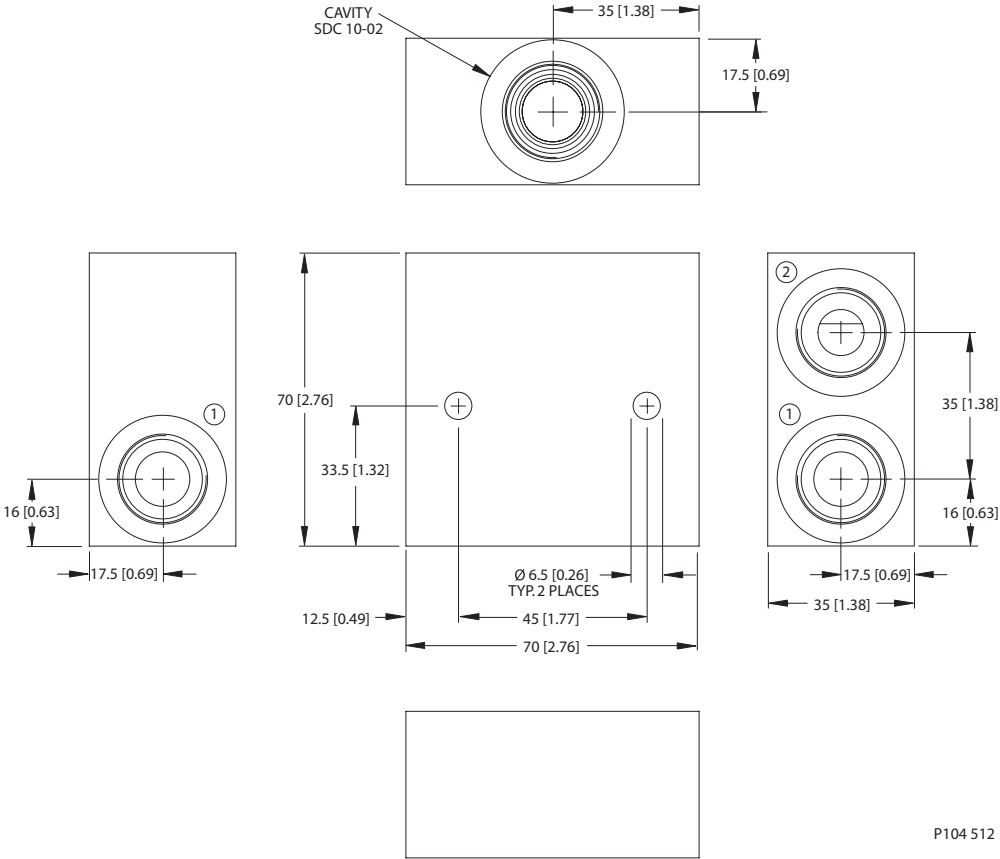


Cartridge Valves Technical Information

Housings

SDC10-2 (LG2)

Housing drawing



P104 512

Options

Order Code	Description	Style	Ports
SDC10-2-LG2-4B	Aluminum Housing, Two #1 Ports	LG2	1/2 BSP

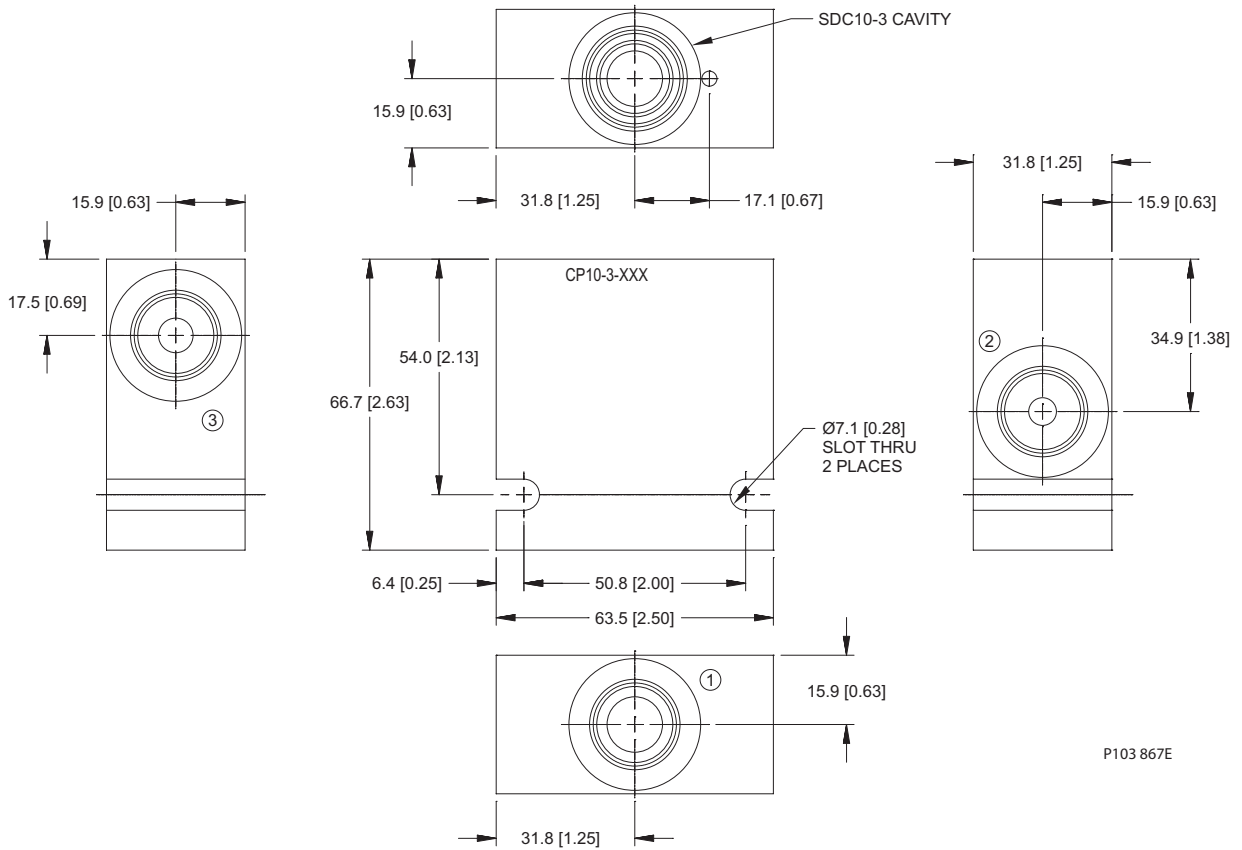


Cartridge Valves Technical Information

Housings

SDC10-3 (Standard)

Dimensions



Options

Order Code	Description	Style	Ports
CP10-3-6S	Aluminum Housing	Standard	SAE #6
CP10-3-8S	Aluminum Housing	Standard	SAE #8
CP10-3-S6S	Steel Housing	Standard	SAE #6
CP10-3-S8S	Steel Housing	Standard	SAE #8

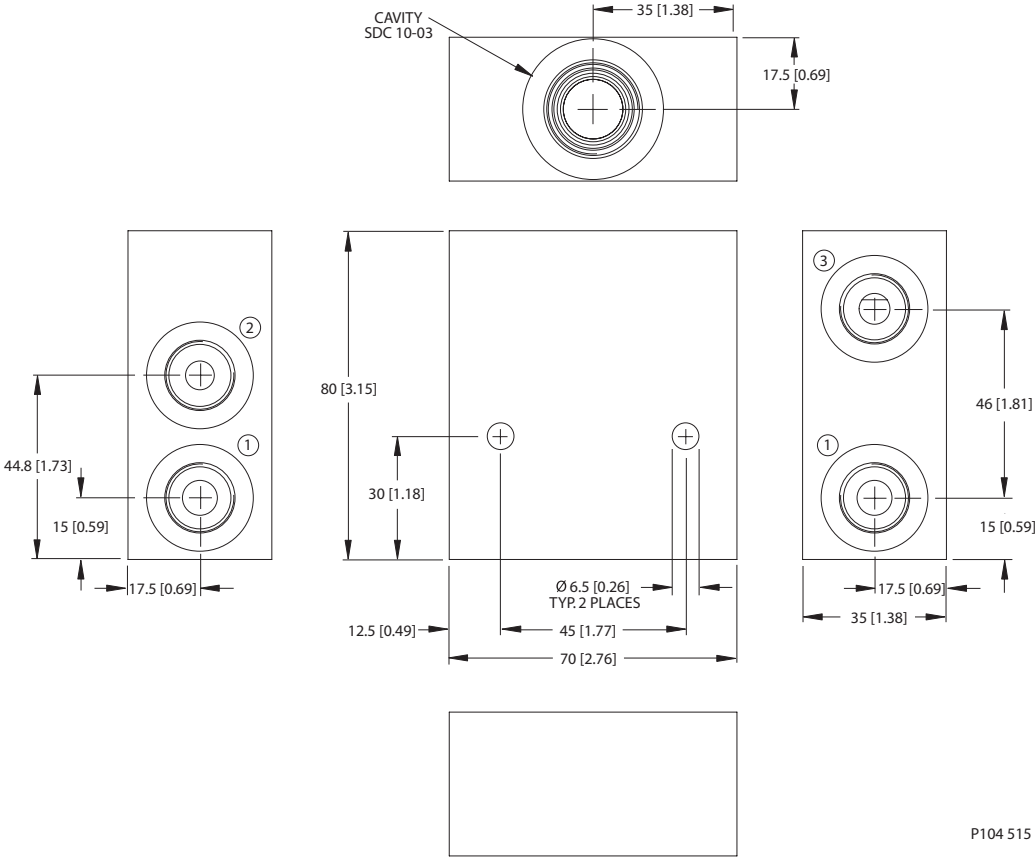


Cartridge Valves Technical Information

Housings

SDC10-3 (SI)

Housing drawing



P104 515

Options

Order Code	Description	Style	Ports
SDC10-3-SI-3B	Aluminum Housing, Two #1 Ports	SI	3/8 BSP

Housings (SI) E-01205

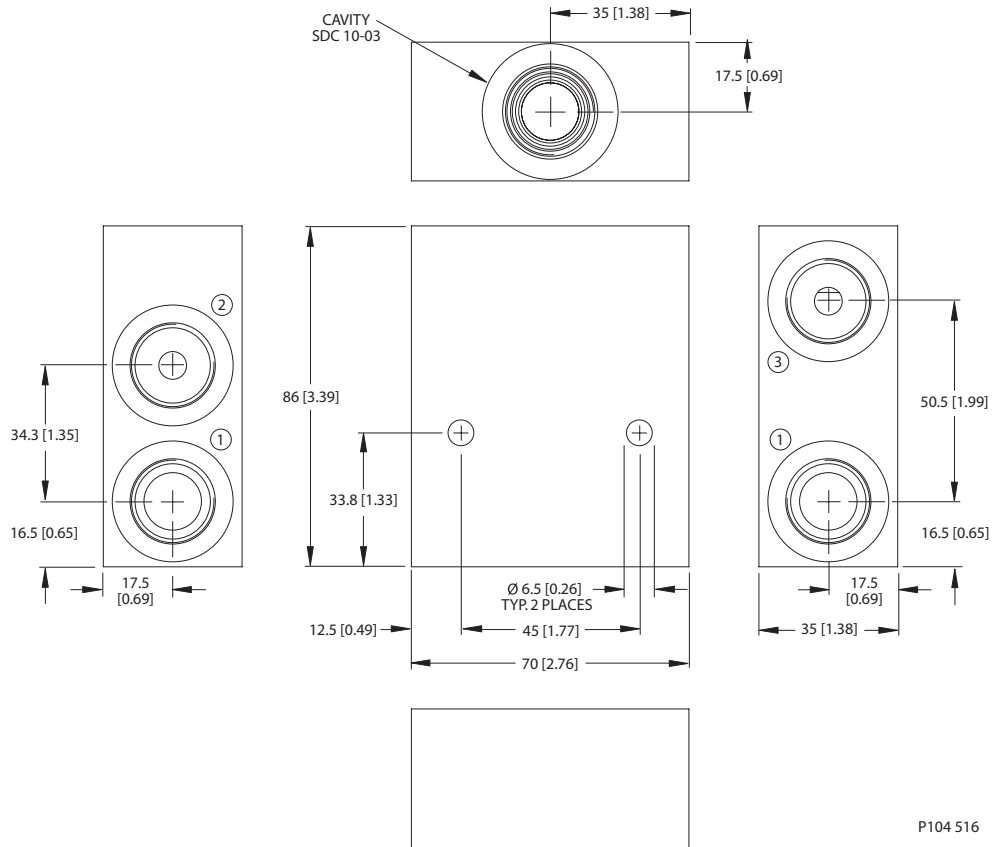


Cartridge Valves Technical Information

Housings

SDC10-3 (SI)

Dimensions



Options

Order Code	Description	Style	Ports
SDC10-3-SI-4B	Aluminum Housing, Two #1 Ports	SI	1/2 BSP

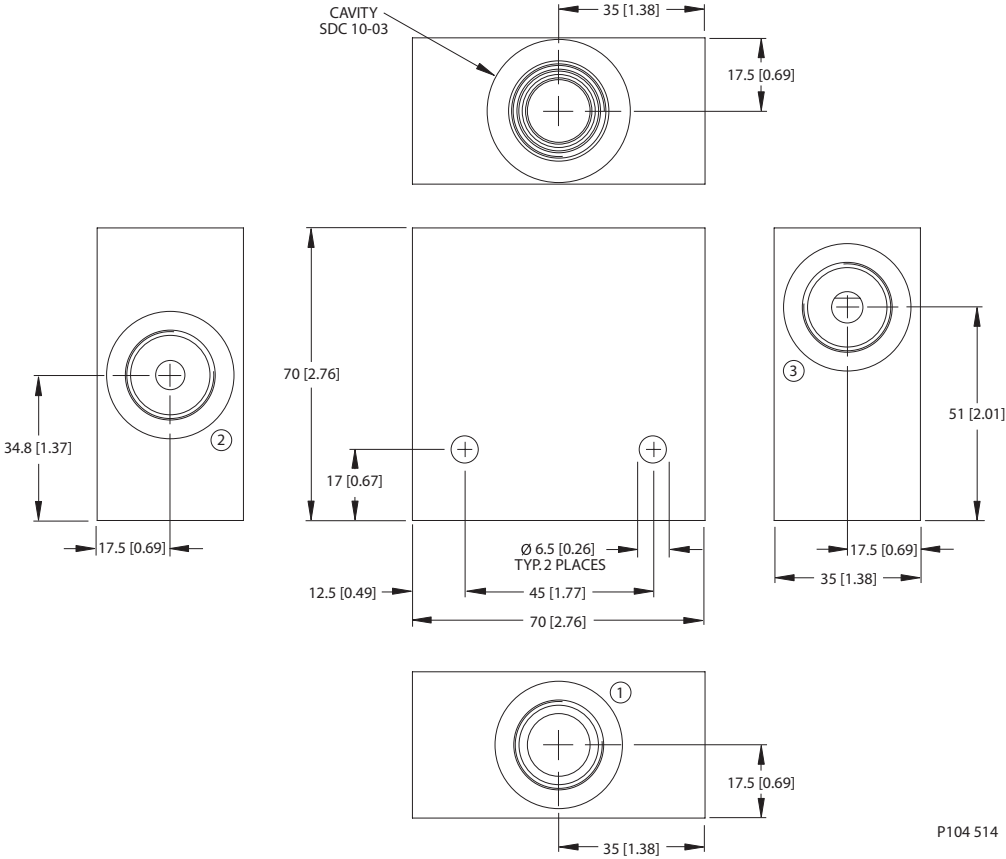


Cartridge Valves Technical Information

Housings

SDC10-3 (SE)

Housing drawing



P104 514

Options

Order Code	Description	Style	Ports
SDC10-3-SE-4B	Aluminum Housing	SE	1/2 BSP

Housings (SE) 3-01-135

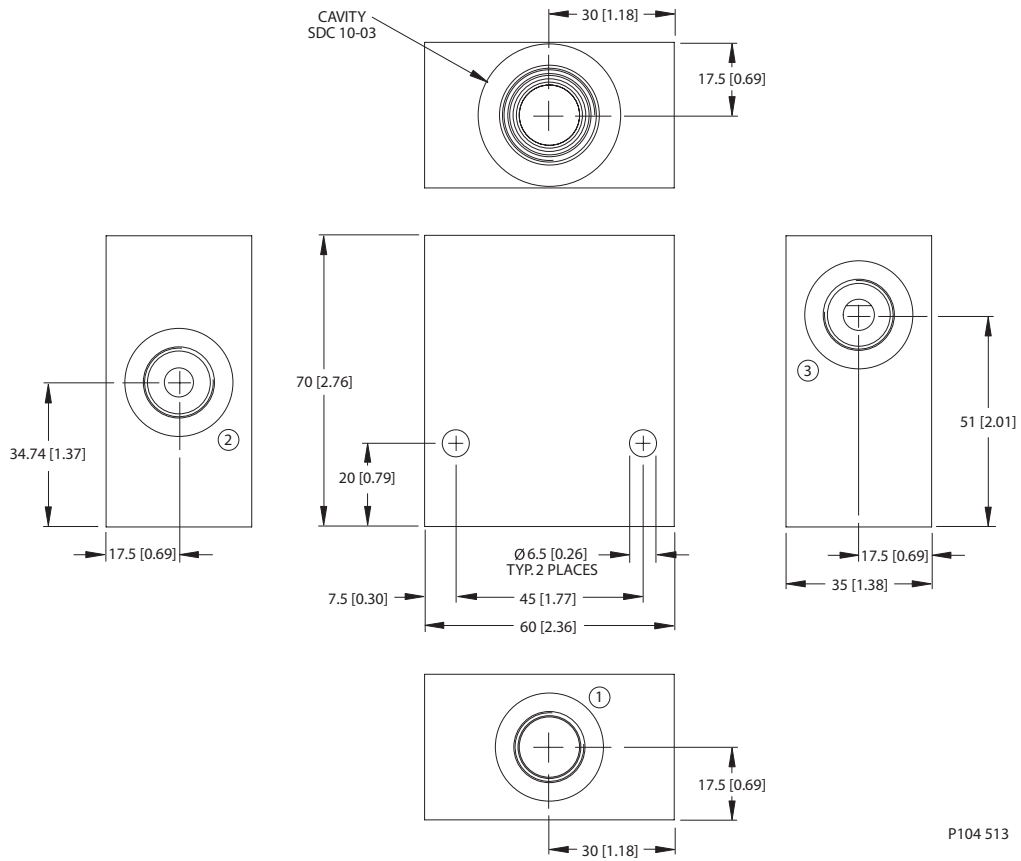


Cartridge Valves Technical Information

Housings

SDC10-3 (SE)

Dimensions



Options

Order Code	Description	Style	Ports
SDC10-3-SE-3B	Aluminum Housing	SE	3/8 BSP

Housings SDC10-3 (SE)

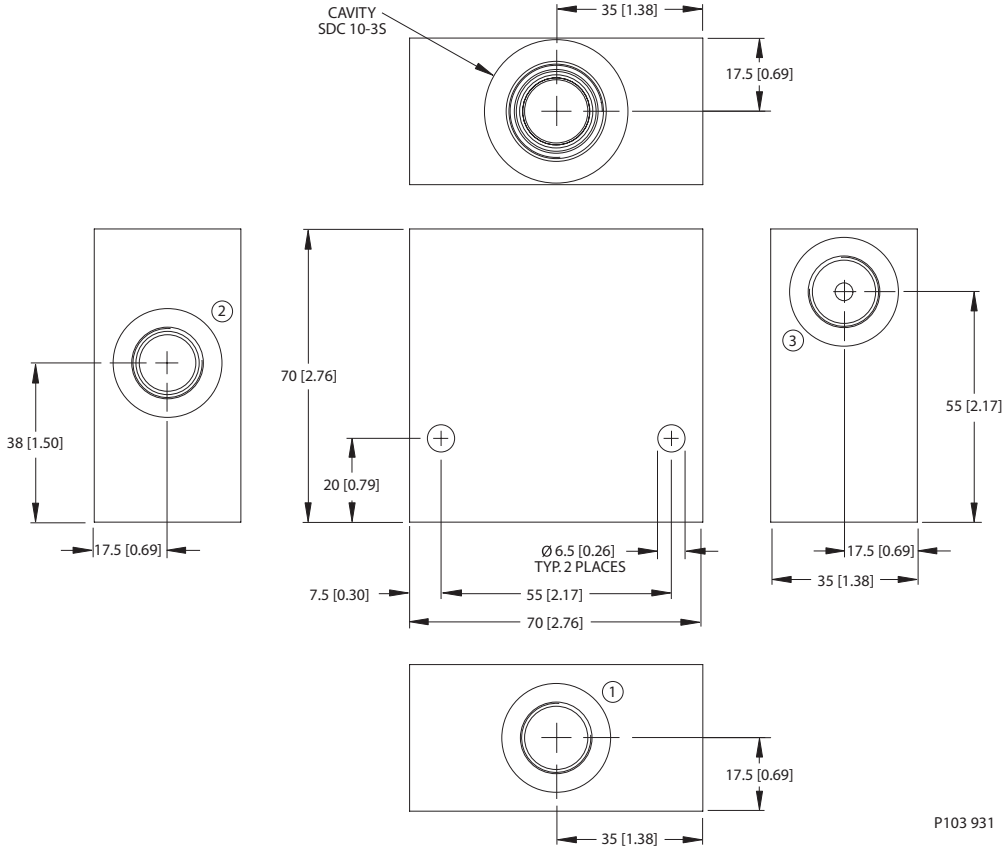


Cartridge Valves Technical Information

Housings

SDC10-3S (SE)

Housing drawing



P103 931

Options

Order Code	Description	Style	Ports
SDC10-3S-SE-3B	Aluminum Housing	SE	3/8 BSP
SDC10-3S-SE-4B	Aluminum Housing	SE	1/2 BSP

Housings
(SE) SDC10-3S

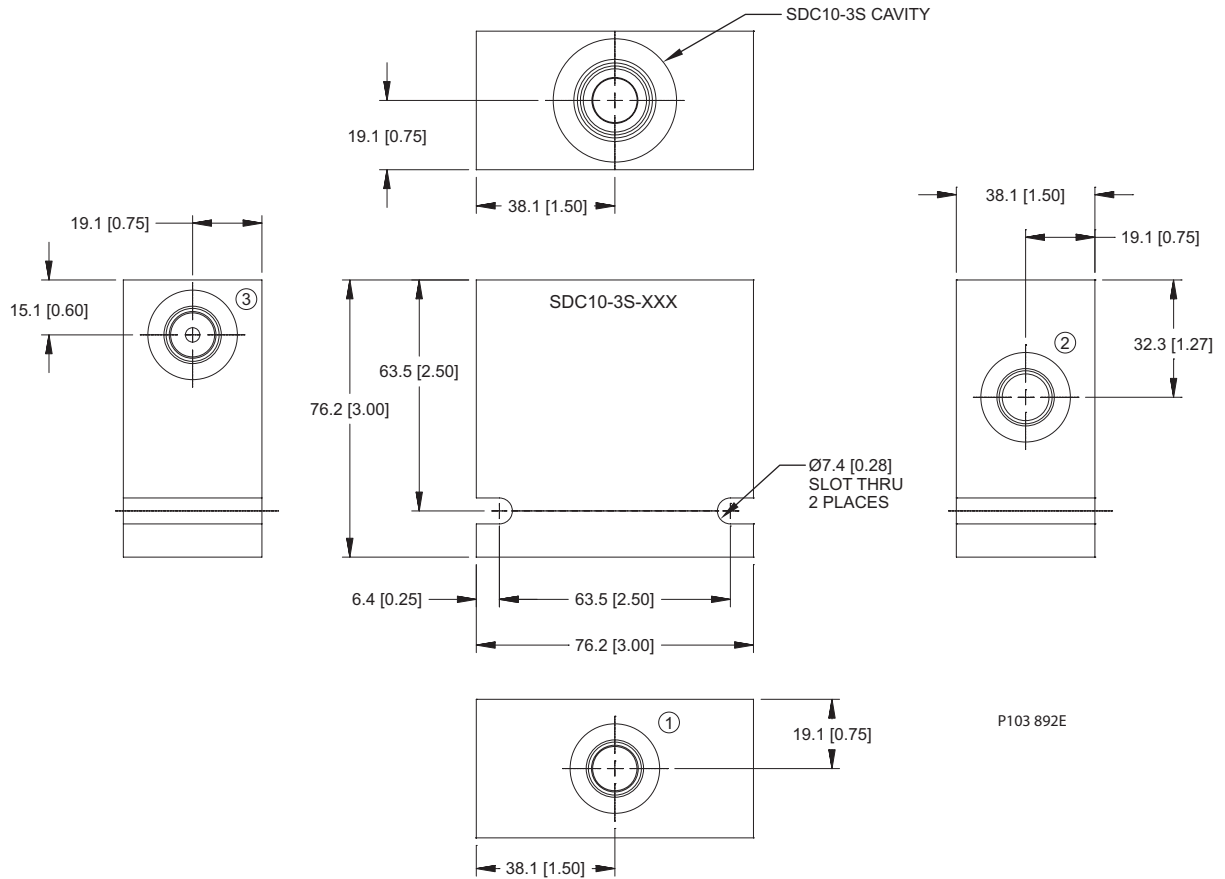


Cartridge Valves Technical Information

Housings

SDC10-3S (Standard)

Dimensions



Options

Order Code	Description	Style	Ports
SDC10-3S-10S/6S	Aluminum Housing, Pilot at Port #3	Standard	SAE #10
SDC10-3S-6S/6S	Aluminum housing, pilot at port #3	Standard	SAE #6
SDC10-3S-8S/6S	Aluminum Housing, Pilot at Port #3	Standard	SAE #8

Housings SDC10-3S (Standard)

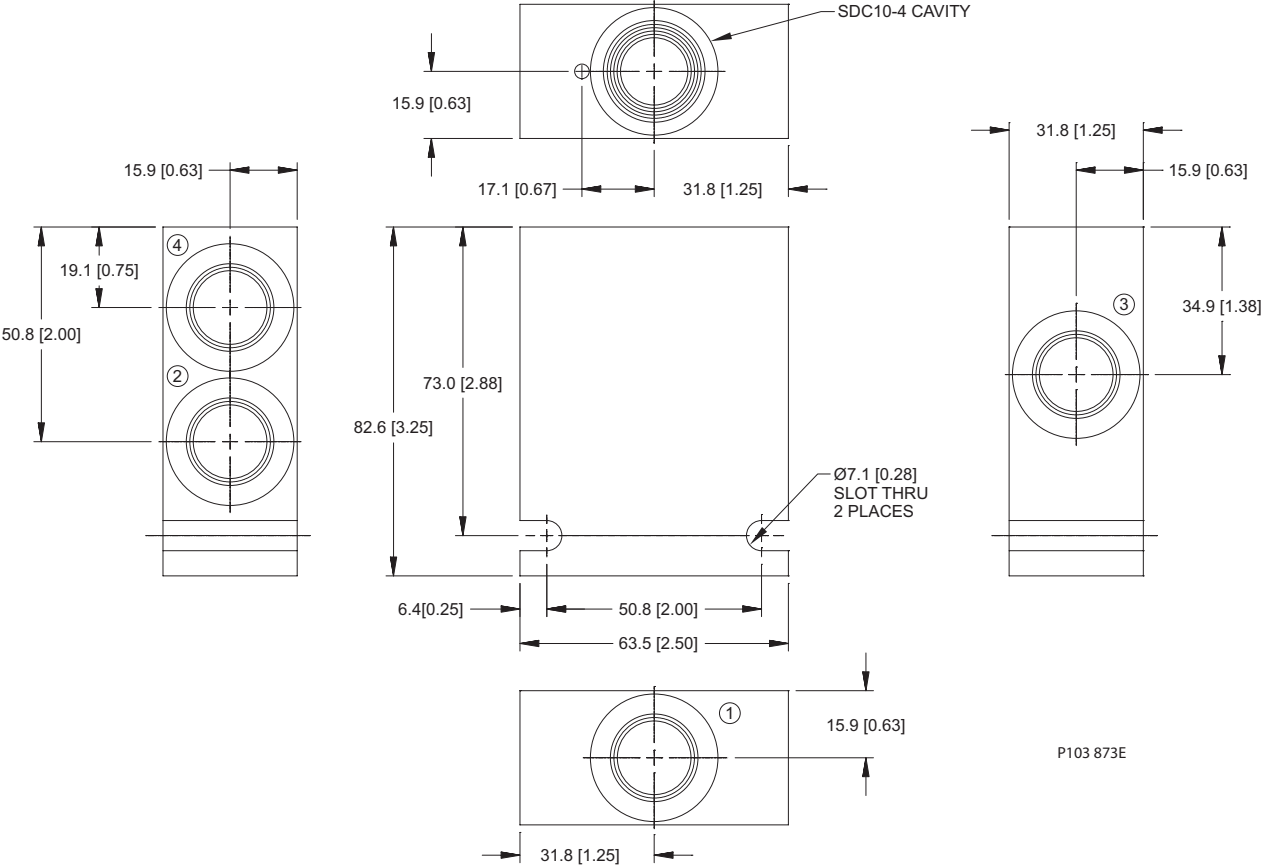


Cartridge Valves Technical Information

Housings

SDC10-4 (Standard)

Housing drawing



Options

Order Code	Description	Style	Ports
CP10-4-6S	Aluminum Housing	Standard	SAE #6
CP10-4-6S-X1	Aluminum Housing, No Port #1	Omit port 1	SAE #6
CP10-4-8S	Aluminum Housing	Standard	SAE #8
CP10-4-8S-X1	Aluminum Housing, No Port #1	Omit port 1	SAE #8
CP10-4-S6S	Steel Housing	Standard	SAE #6
CP10-4-S8S	Steel Housing	Standard	SAE #8

SDC10-4 (Standard) Housings

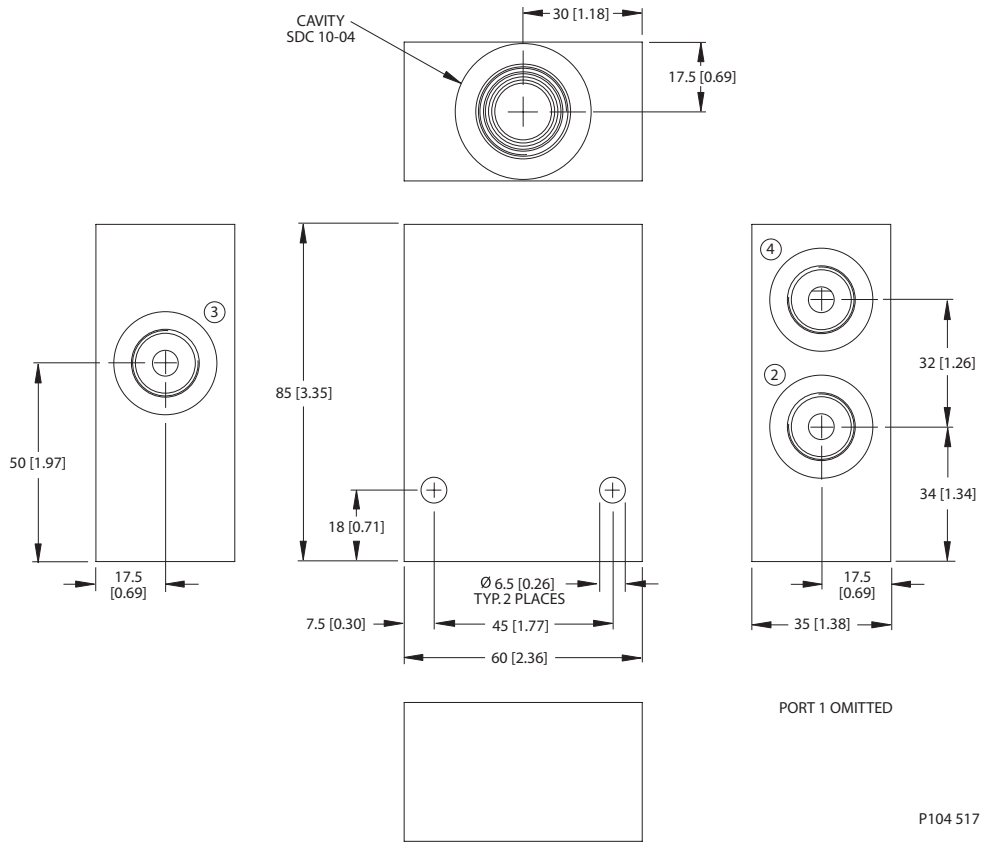


Cartridge Valves Technical Information

Housings

SDC10-4 (HD)

Dimensions



Options

Order Code	Description	Style	Ports
SDC10-4-HD-3B	Aluminum Housing, No Port #1	HD	3/8 BSP

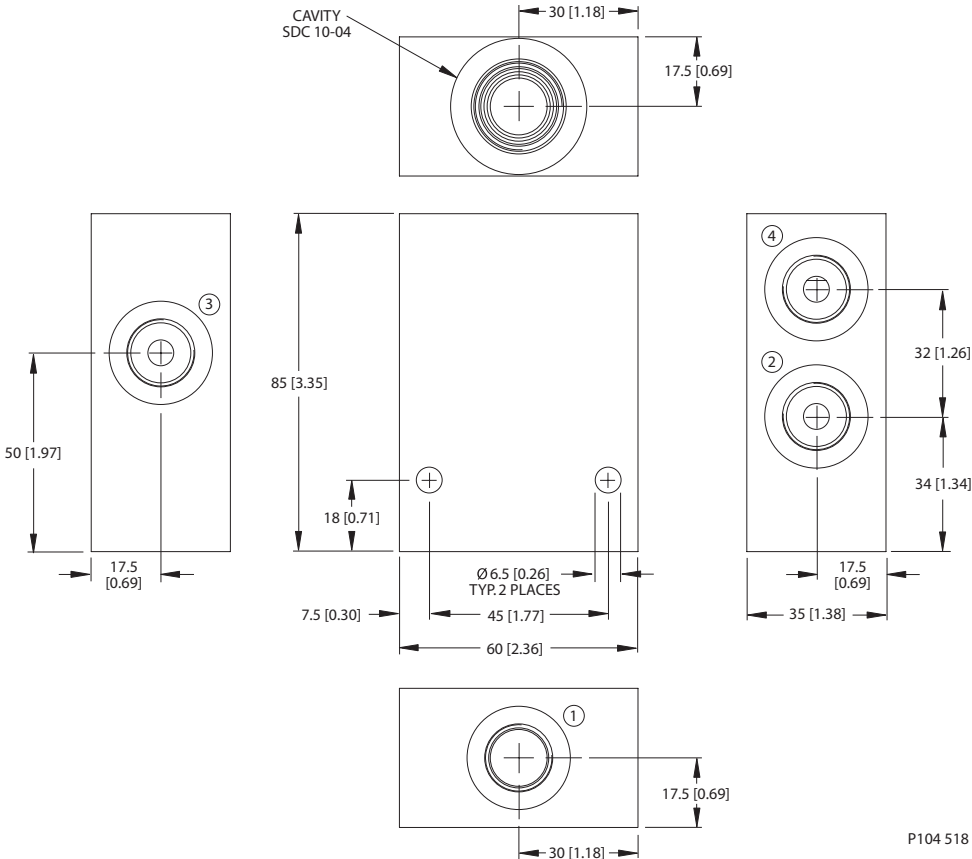


Cartridge Valves Technical Information

Housings

SDC10-4 (L)

Housing drawing



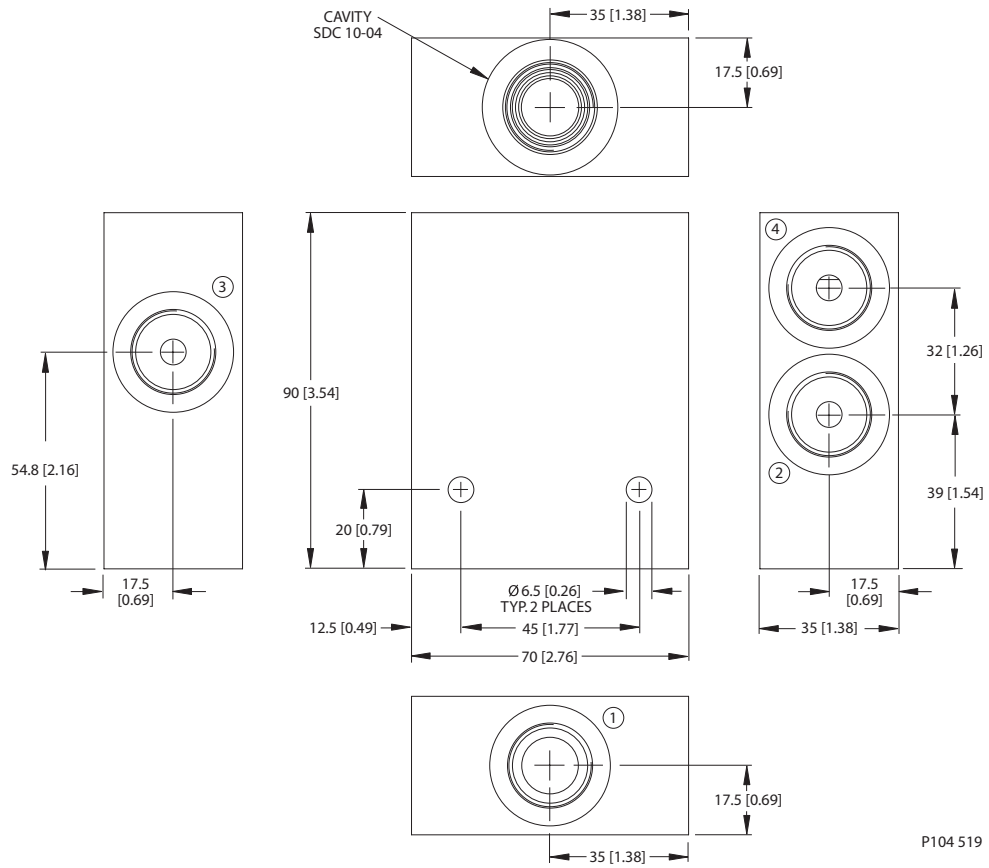
Options

Order Code	Description	Style	Ports
SDC10-4-L-3B	Aluminum Housing	L	3/8 BSP

Housings
SDC10-4 (L)-01005

Cartridge Valves Technical Information
 Housings
 SDC10-4 (L)

Dimensions



Options

Order Code	Description	Style	Ports
SDC10-4-L-4B	Aluminum Housing	L	1/2 BSP

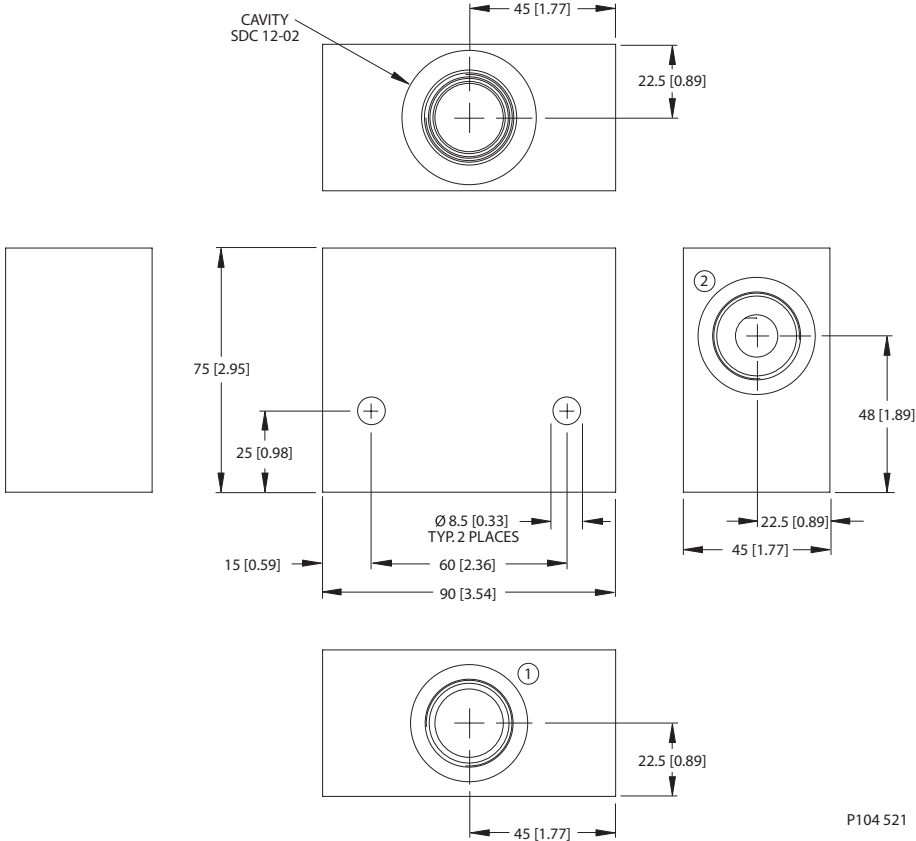


Cartridge Valves Technical Information

Housings

SDC12-2 (DG)

Housing drawing



Options

Order Code	Description	Style	Ports
SDC12-2-DG-6B	Aluminum Housing	DG	3/4 BSP

Housings
(DG) 2-12-13DS

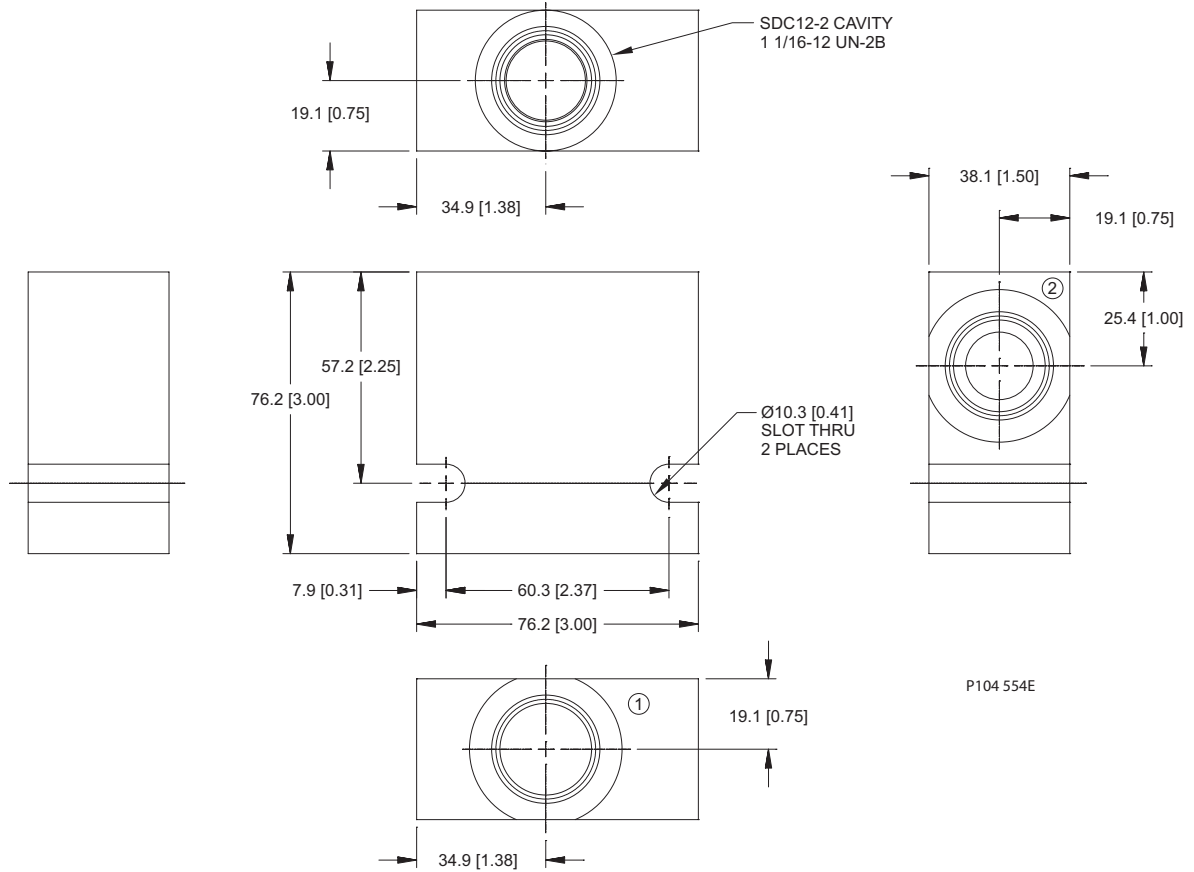


Cartridge Valves Technical Information

Housings

SDC12-2 (Standard)

Dimensions



Options

Order Code	Description	Style	Ports
SDC12-2-10S	Aluminum housing	Standard	#10 SAE
SDC12-2-12S	Aluminum housing	Standard	#12 SAE

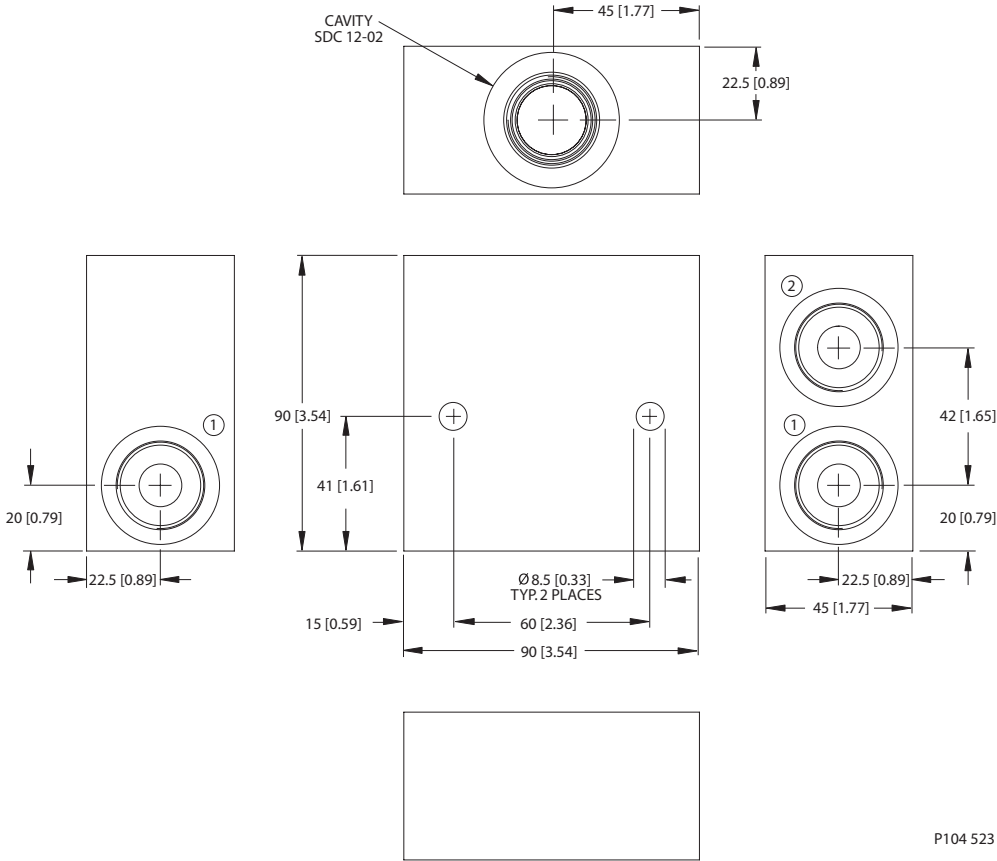


Cartridge Valves Technical Information

Housings

SDC12-2 (LG2)

Housing drawing



P104 523

Options

Order Code	Description	Style	Ports
SDC12-2-LG2-6B	Aluminum Housing, Two #1 Ports	LG2	3/4 BSP

SDC12-2 (LG2) Housings

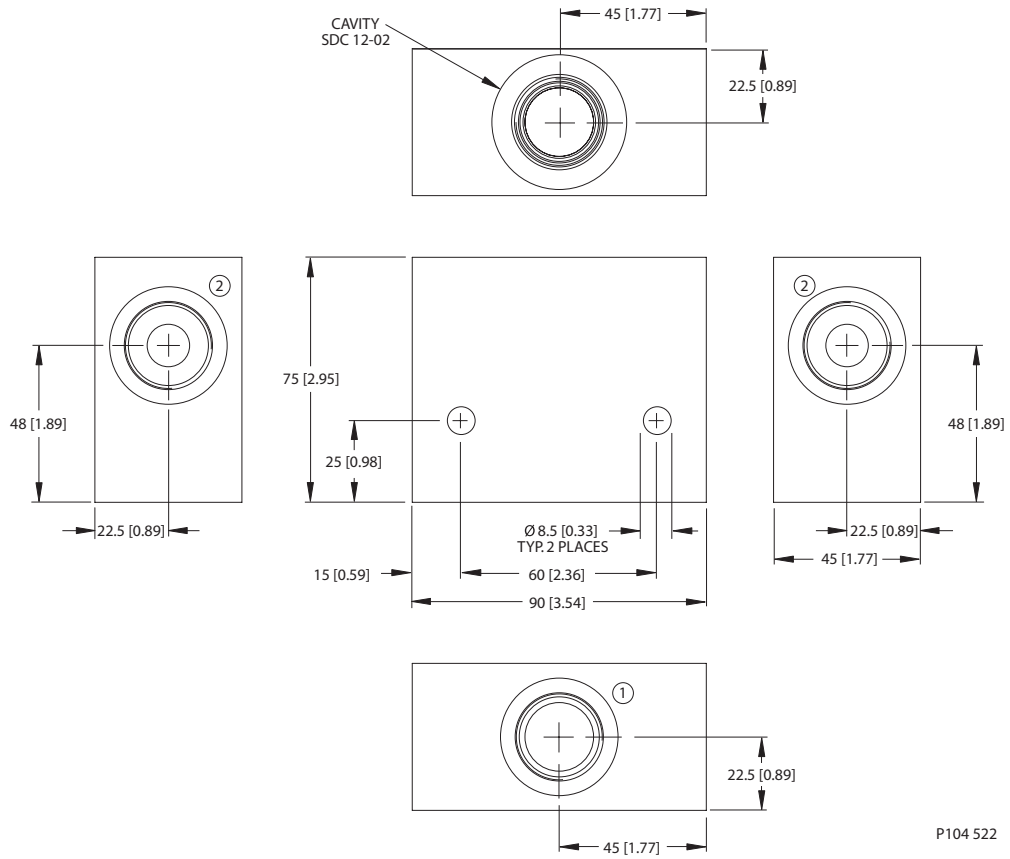


Cartridge Valves Technical Information

Housings

SDC12-2 (LG1)

Dimensions



Options

Order Code	Description	Style	Ports
SDC12-2-LG1-6B	Aluminum Housing, Two #2 Ports	LG1	3/4 BSP

SDC12-2 (LG1)
Housings

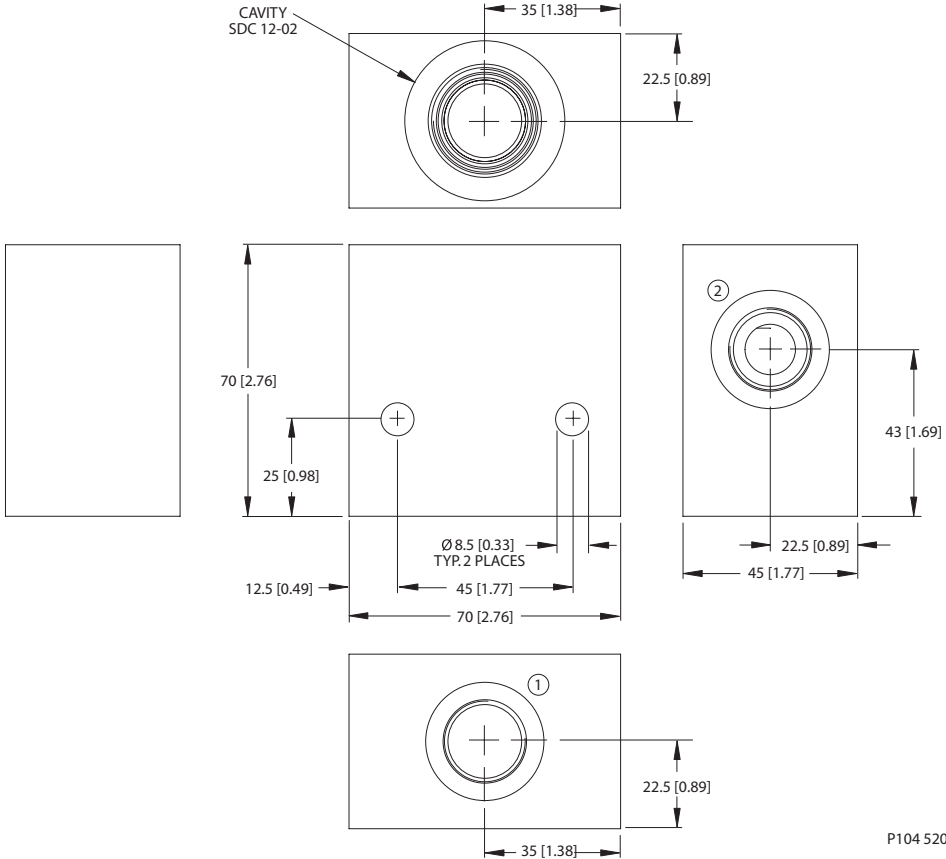


Cartridge Valves Technical Information

Housings

SDC12-2 (DG)

Housing drawing



Options

Order Code	Description	Style	Ports
SDC12-2-DG-4B	Aluminum Housing	DG	1/2 BSP

Housings
(DG) 2-12-13DS

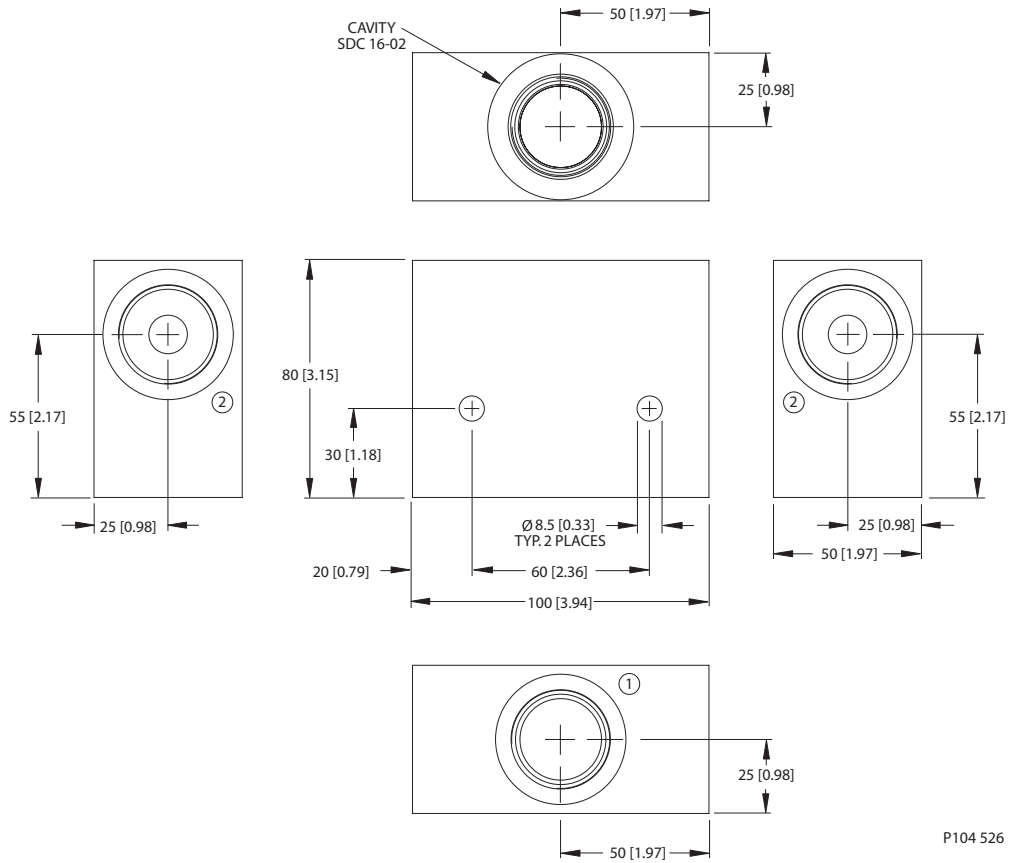


Cartridge Valves Technical Information

Housings

SDC16-2 (HG1)

Dimensions



P104 526

Options

Order Code	Description	Style	Ports
SDC16-2-HG1-8B	Aluminum Housing, Two #2 Ports	HG1	1 BSP

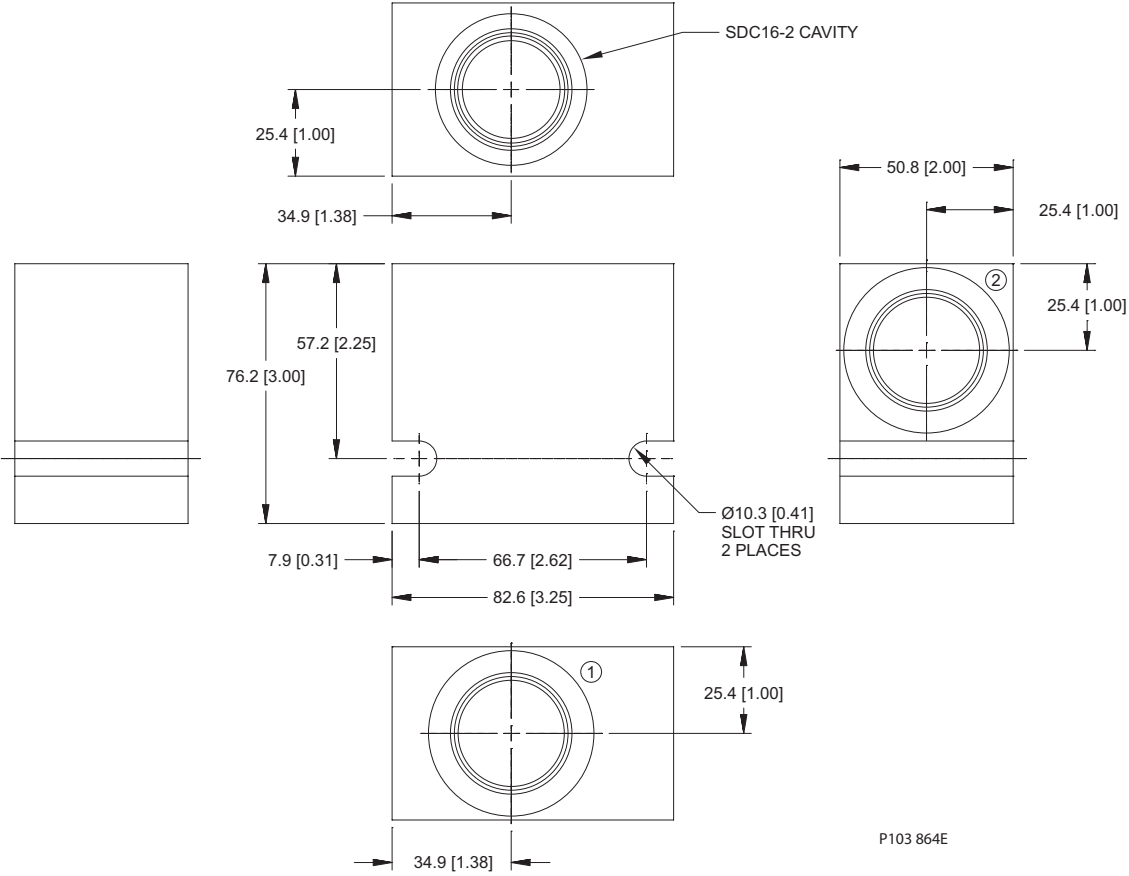


Cartridge Valves Technical Information

Housings

SDC16-2 (Standard)

Housing drawing



P103 864E

Options

Order Code	Description	Style	Ports
CP16-2-12S	Aluminum Housing	Standard	SAE #12
CP16-2-16S	Aluminum Housing	Standard	SAE #16
CP16-2-S16S	Steel Housing	Standard	SAE #16

Housings
SDC16-2 (Standard)

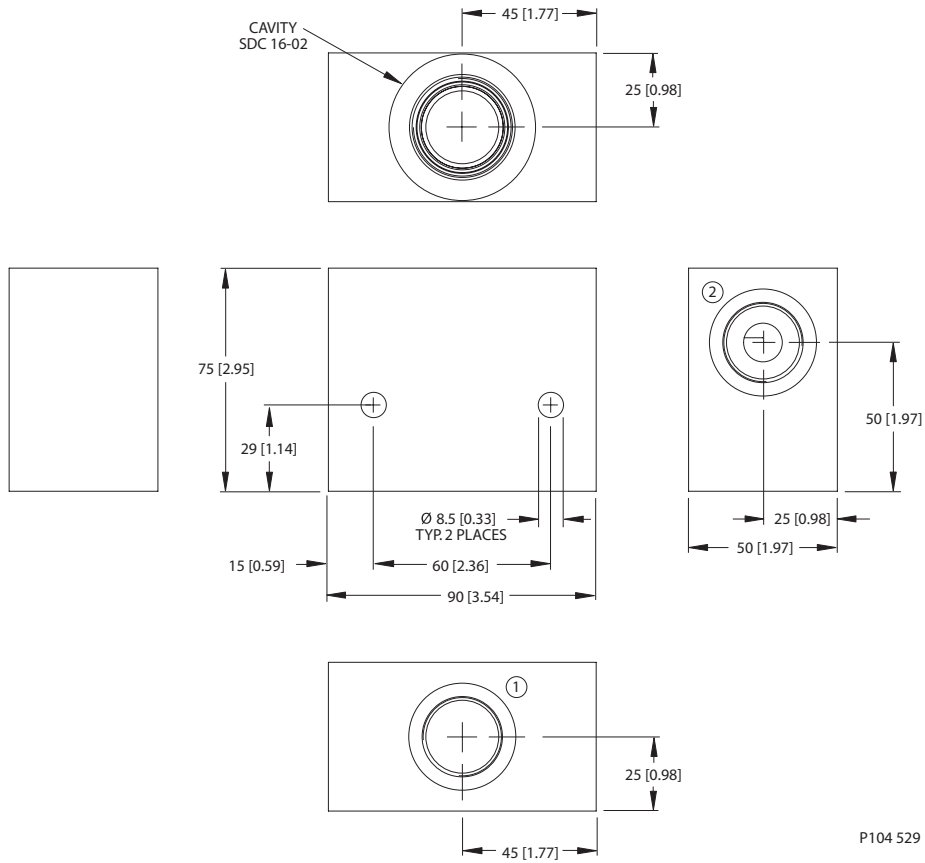


Cartridge Valves Technical Information

Housings

SDC16-2 (HG)

Dimensions



Options

Order Code	Description	Style	Ports
SDC16-2-HG-8B	Aluminum Housing	HG	1 BSP

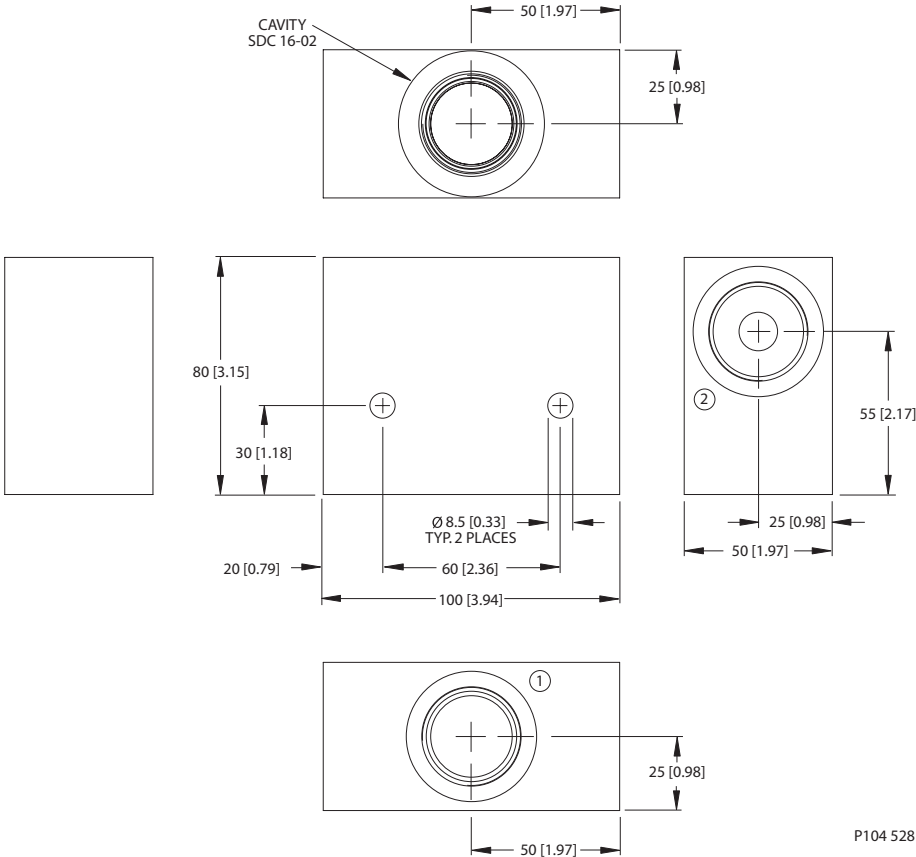


Cartridge Valves Technical Information

Housings

SDC16-2 (HG)

Housing drawing



Options

Order Code	Description	Style	Ports
SDC16-2-HG-6B	Aluminum Housing	HG	3/4 BSP

Housings
(HG) 2-913DS

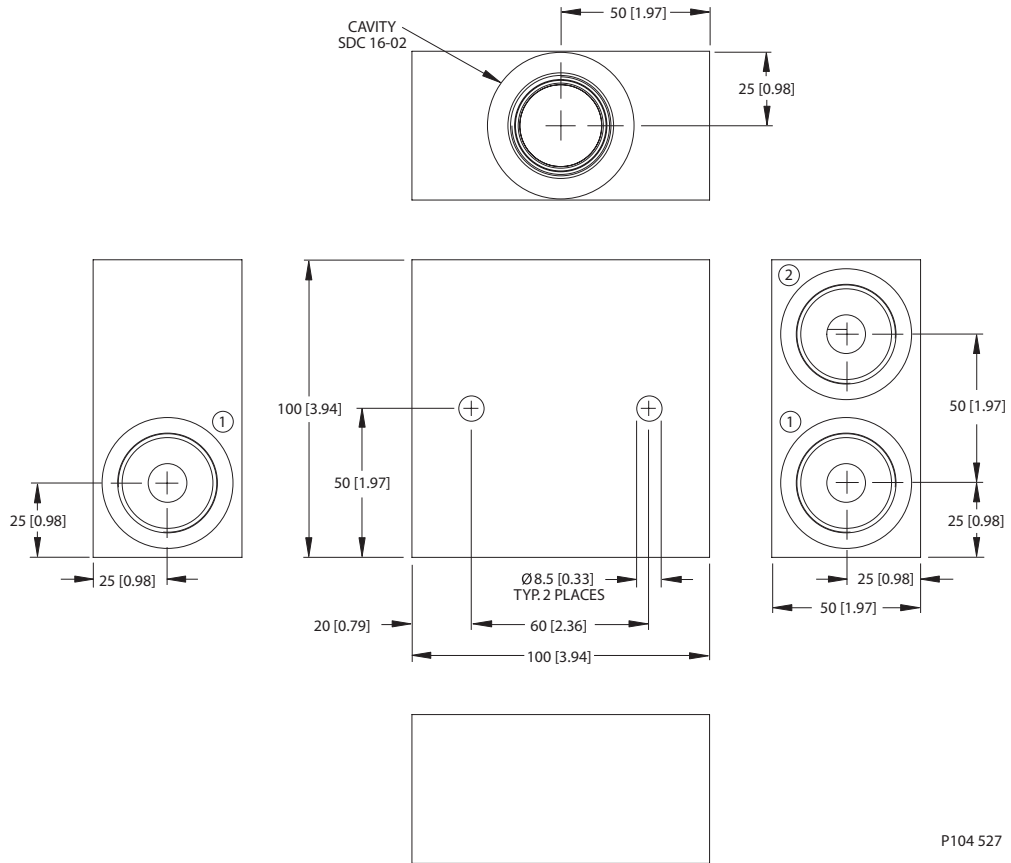


Cartridge Valves Technical Information

Housings

SDC16-2 (HG2)

Dimensions



Options

Order Code	Description	Style	Ports
SDC16-2-HG2-8B	Aluminum Housing, Two #1 Ports	HG2	1 BSP

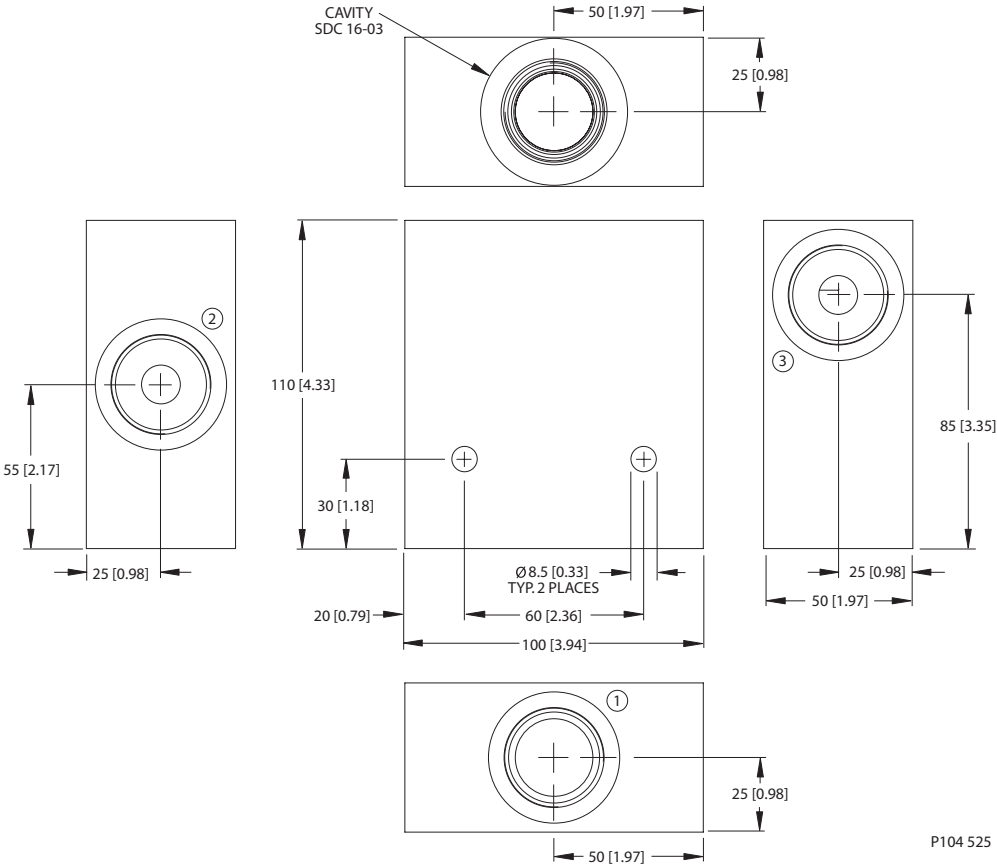


Cartridge Valves Technical Information

Housings

SDC16-3 (HE)

Housing drawing



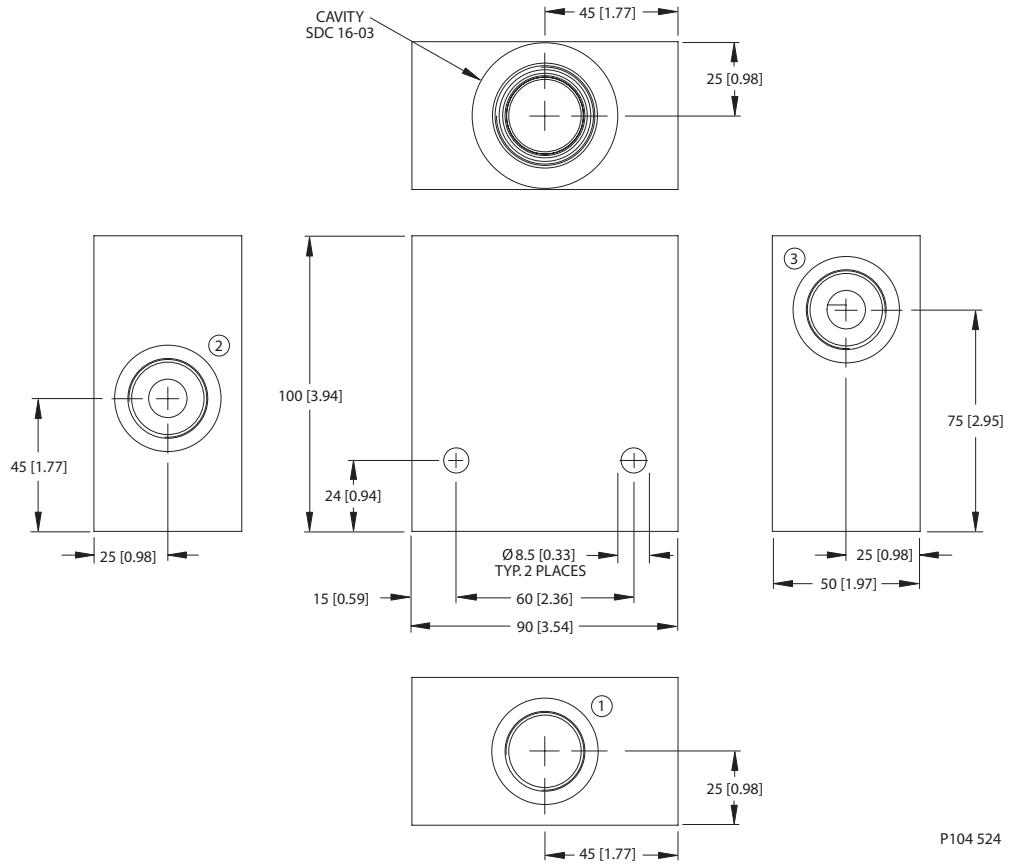
Options

Order Code	Description	Style	Ports
SDC16-3-HE-8B	Aluminum Housing	HE	1 BSP

Housings
SDC16-3 (HE)

Cartridge Valves Technical Information
 Housings
 SDC16-3 (HE)

Dimensions



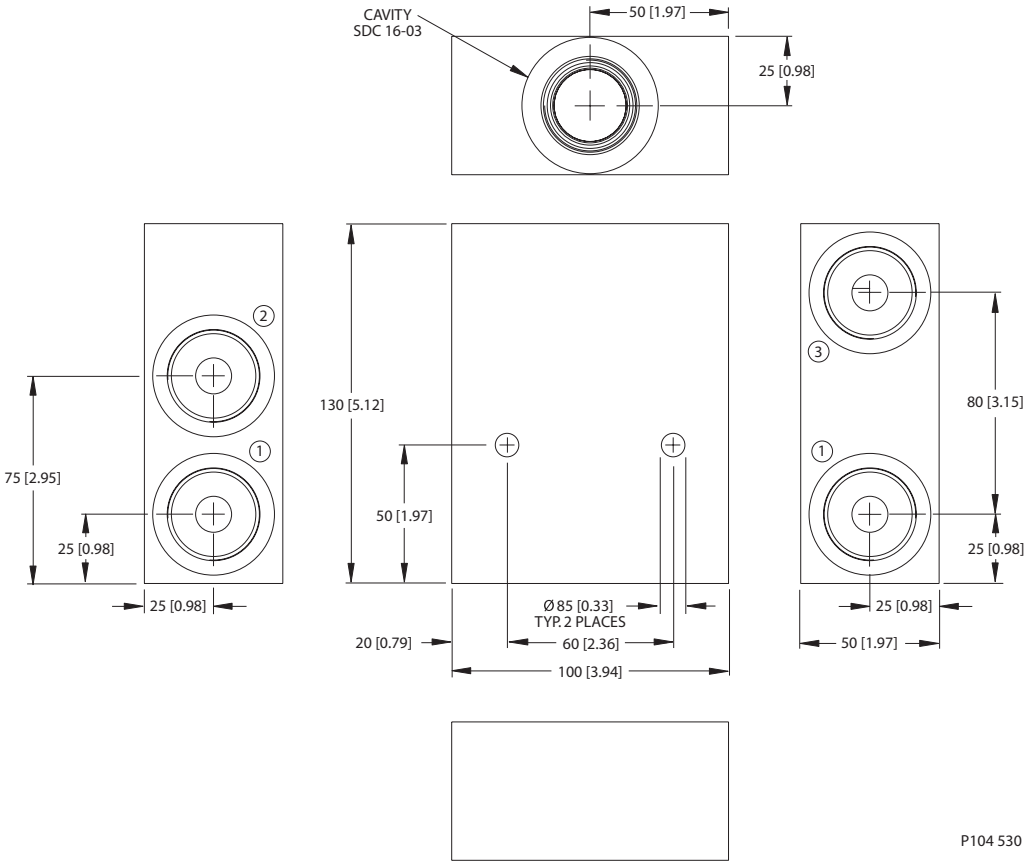
Options

Order Code	Description	Style	Ports
SDC16-3-HE-6B	Aluminum Housing	HE	3/4 BSP



Cartridge Valves Technical Information
Housings
SDC16-3 (HI)

Housing drawing



Options

Order Code	Description	Style	Ports
SDC16-3-HI-8B	Aluminum Housing, Two #1 Ports	HI	1 BSP

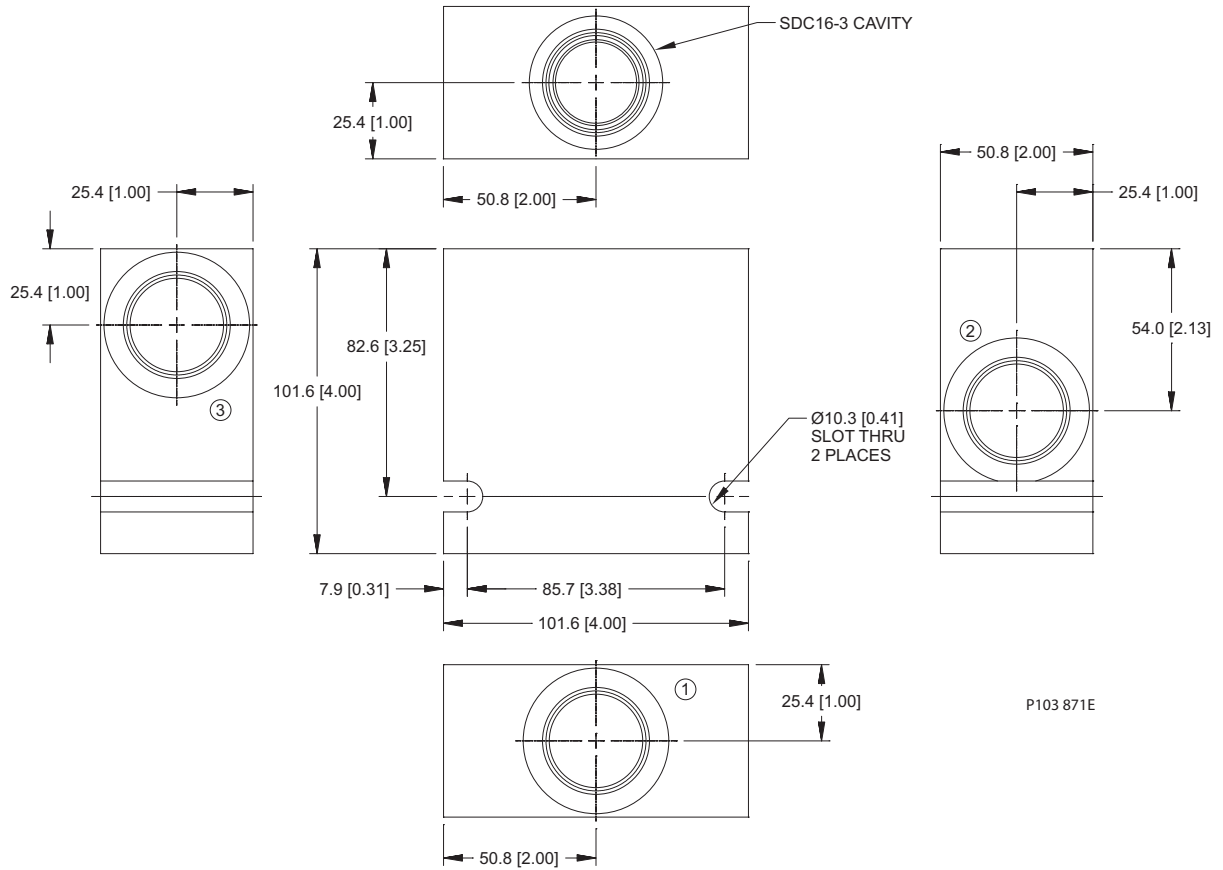


Cartridge Valves Technical Information

Housings

SDC16-3 (Standard)

Dimensions



Options

Order Code	Description	Style	Ports
CP16-3-12S	Aluminum Housing	Standard	SAE #12
CP16-3-16S	Aluminum Housing	Standard	SAE #16

SDC16-3 (Standard)
Housings

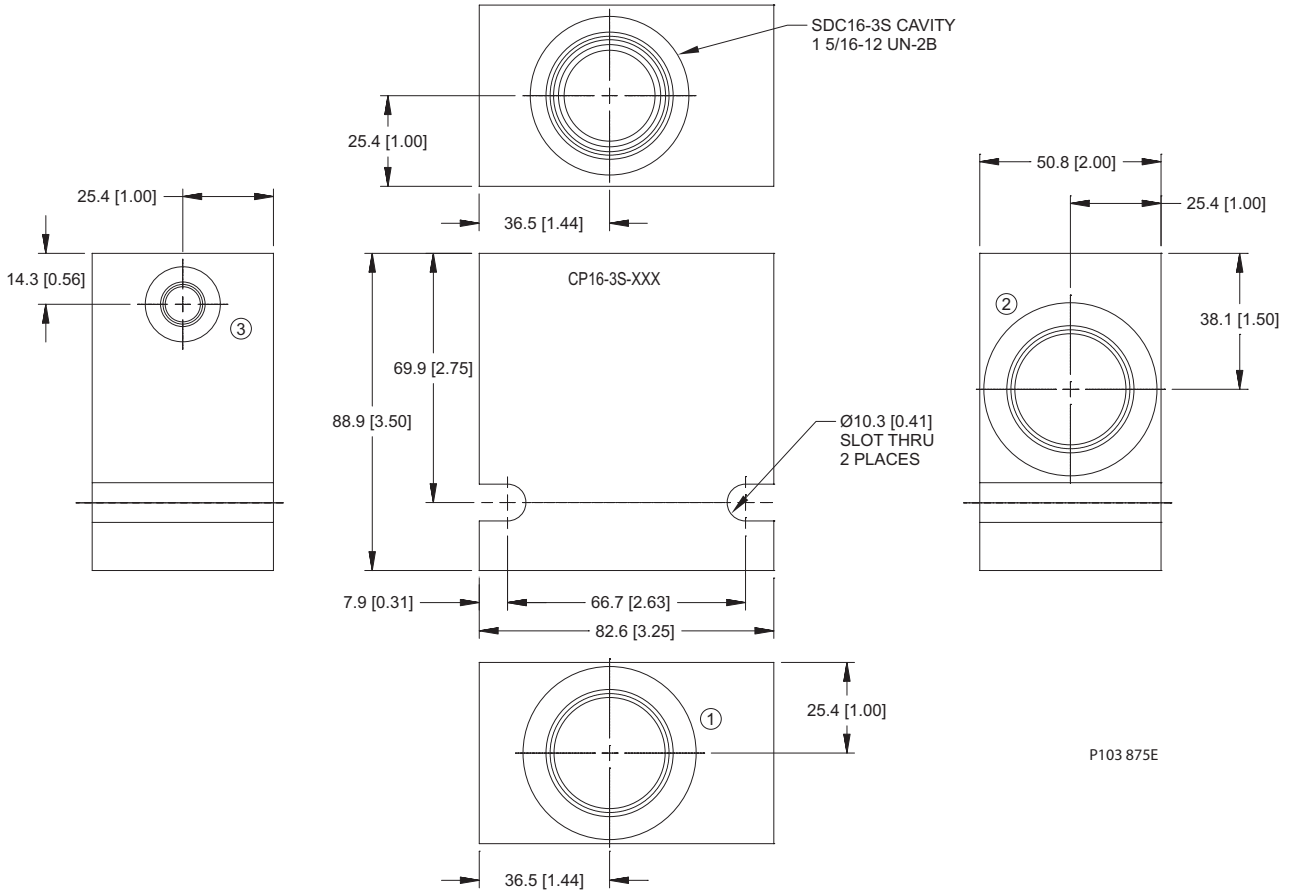


Cartridge Valves Technical Information

Housings

SDC16-3S (Standard)

Housing drawing



P103 875E

Options

Order Code	Description	Style	Ports
CP16-3S-12S/4S	Aluminum Housing, Pilot at Port #3	Standard	SAE #12, #4
CP16-3S-16S/4S	Aluminum Housing, Pilot at Port #3	Standard	SAE #16, #4
CP16-3S-6B/2B	Aluminum Housing, Pilot at Port #3	Standard	3/4 BSP, 1/4 BSP
CP16-3S-8B/2B	Aluminum Housing, Pilot at Port #3	Standard	1 BSP, 1/4 BSP

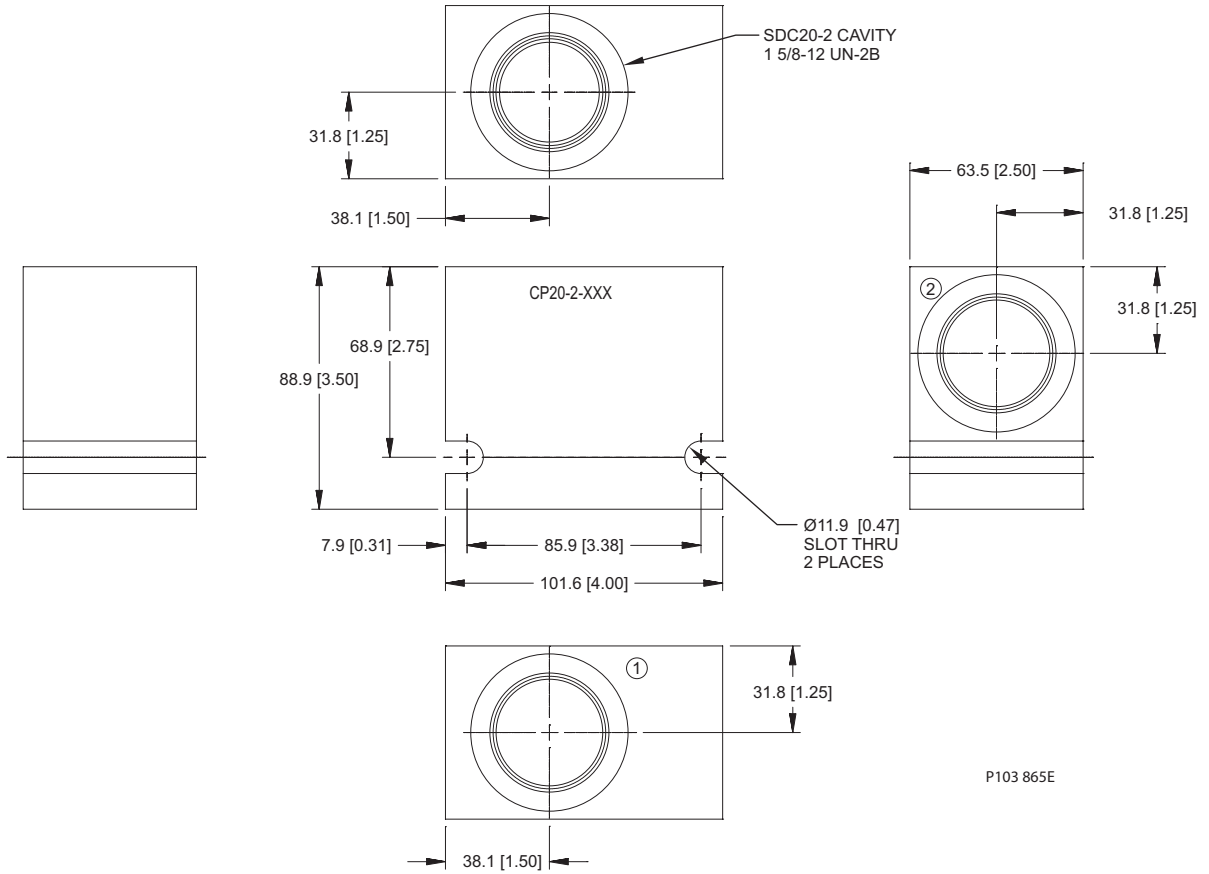


Cartridge Valves Technical Information

Housings

SDC20-2 (Standard)

Dimensions



Options

Order Code	Description	Style	Ports
CP20-2-10B	Aluminum Housing	Standard	1 1/4 BSP
CP20-2-16S	Aluminum Housing	Standard	SAE #16
CP20-2-20S	Aluminum Housing	Standard	SAE #20
CP20-2-8B	Aluminum Housing	Standard	1 BSP

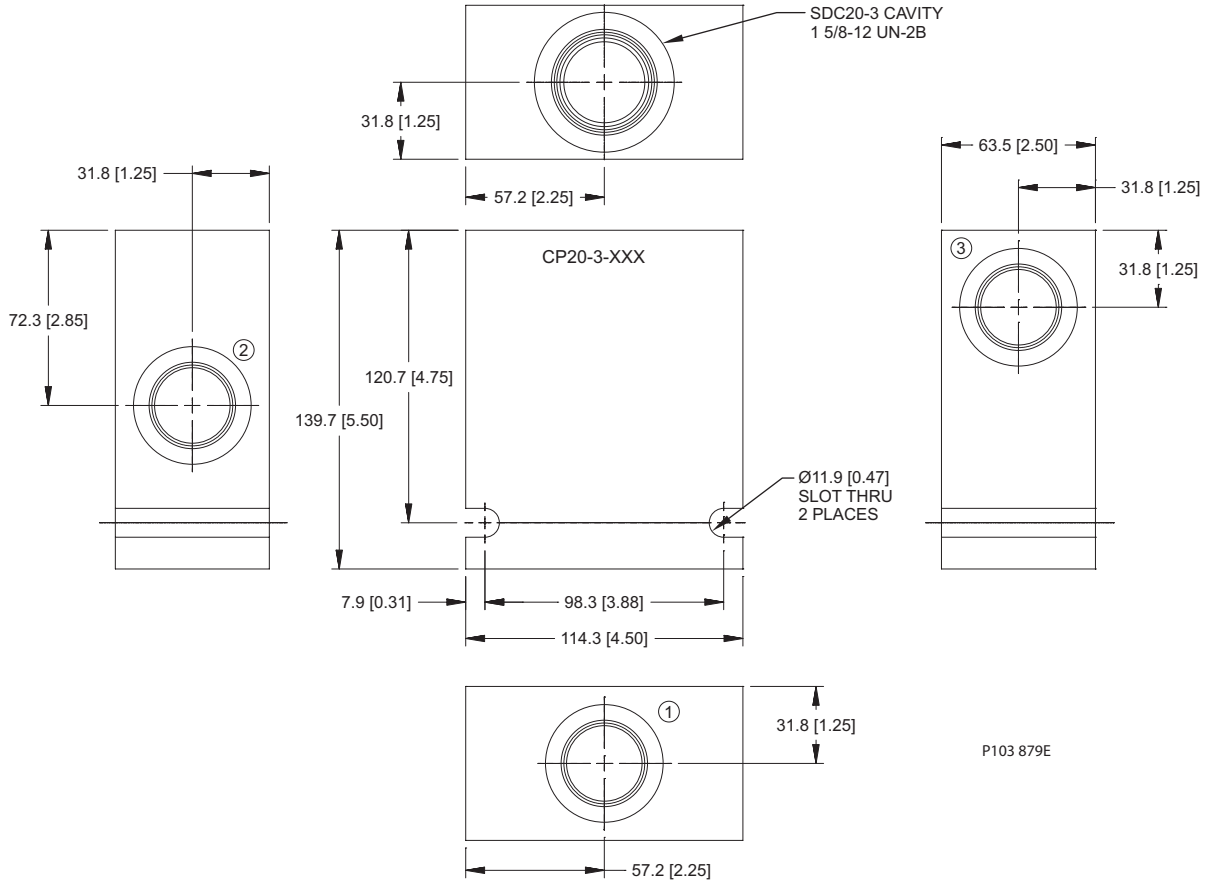


Cartridge Valves Technical Information

Housings

SDC20-3 (Standard)

Housing drawing



Options

Order Code	Description	Style	Ports
CP20-3-10B	Aluminum Housing	Standard	1 1/4 BSP
CP20-3-10B/2B1	Aluminum Housing, Pilot at Port #3	Standard	1 1/4 BSP, 1/4 BSP
CP20-3-16S	Aluminum Housing	Standard	SAE #16
CP20-3-16S/4S1	Aluminum Housing, Pilot at Port #3	Standard	SAE #16, #4
CP20-3-20S	Aluminum Housing	Standard	SAE #20
CP20-3-20S/4S1	Aluminum Housing, Pilot at Port #3	Standard	SAE #20, #4
CP20-3-8B	Aluminum Housing	Standard	1 BSP
CP20-3-8B/2B1	Aluminum Housing, Pilot at Port #3	Standard	1 BSP, 1/4 BSP

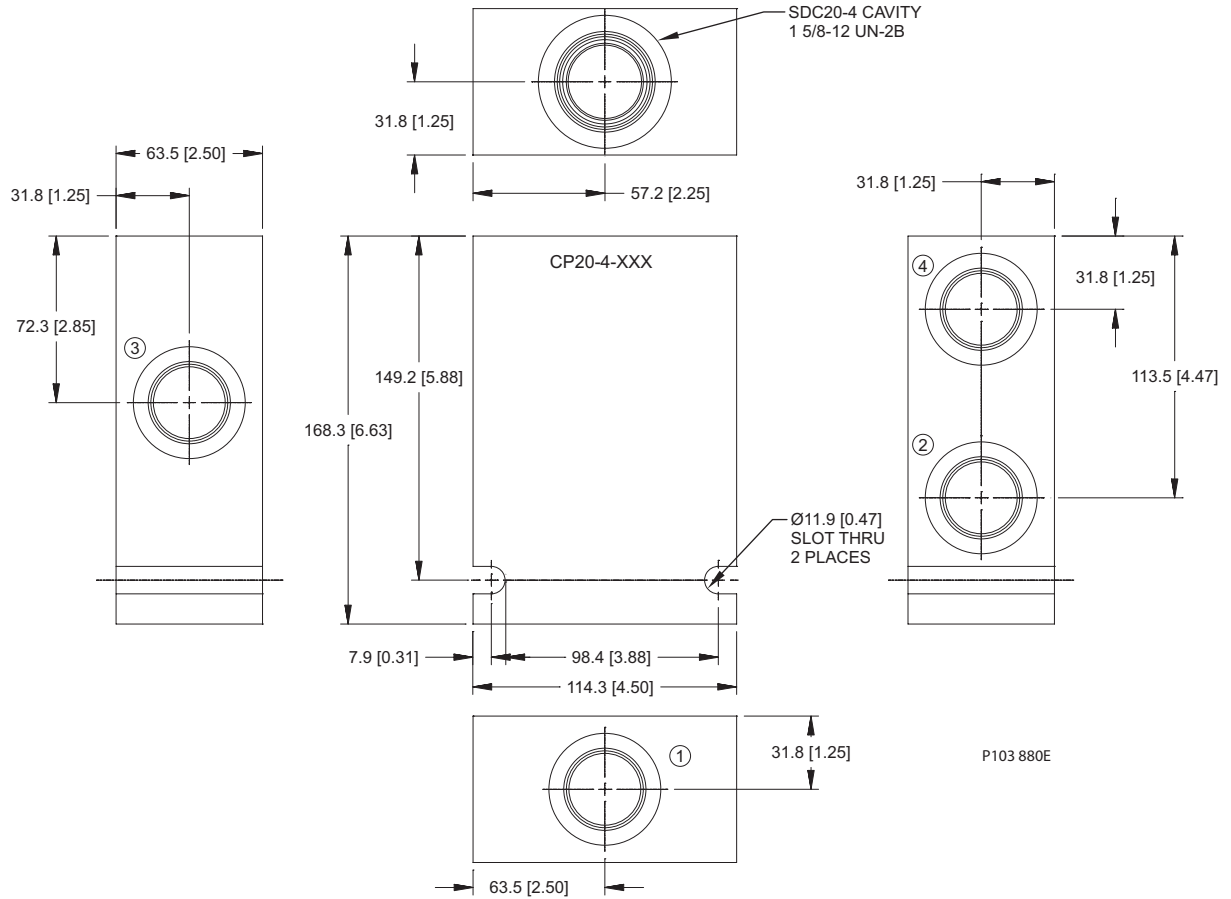


Cartridge Valves Technical Information

Housings

SDC20-4 (Standard)

Dimensions



Options

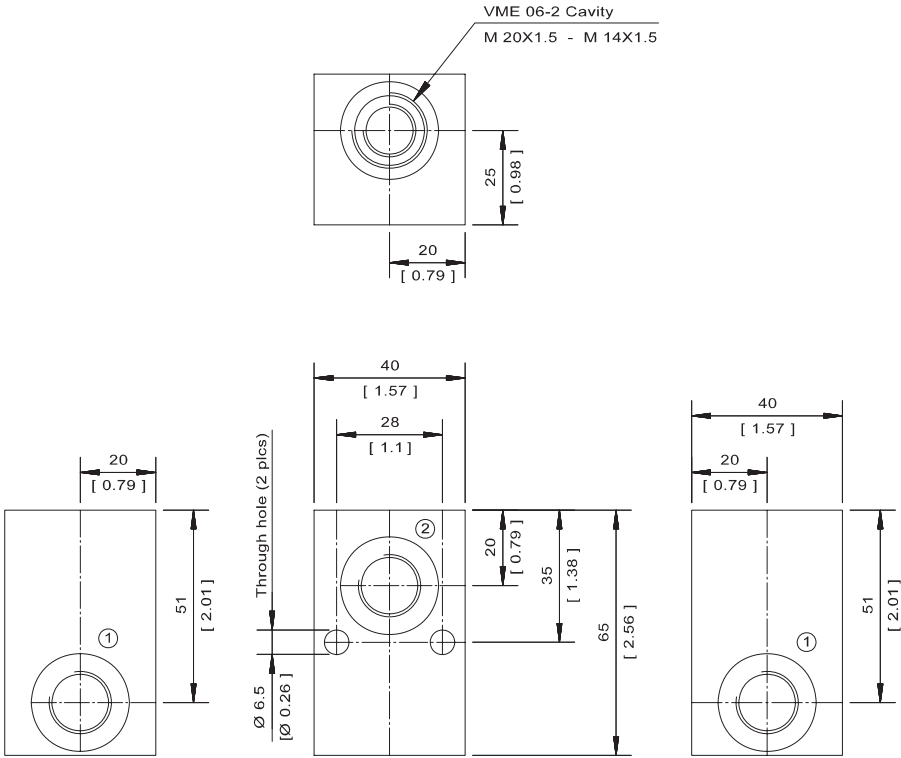
Order Code	Description	Style	Ports
CP20-4-10B	Aluminum Housing	Standard	1 1/4 BSP
CP20-4-10B-X1	Aluminum Housing, No Port #1	Omit port 1	1 1/4 BSP
CP20-4-16S	Aluminum Housing	Standard	SAE #16
CP20-4-16S/4S	Aluminum Housing, Pilot at Port #1	Standard	SAE #16, #4
CP20-4-16S-X1	Aluminum Housing, No Port #1	Omit port 1	SAE #16
CP20-4-20S	Aluminum Housing	Standard	SAE #20
CP20-4-20S/4S	Aluminum Housing, Pilot at Port #1	Standard	SAE #20, #4
CP20-4-20S-X1	Aluminum Housing, No Port #1	Omit port 1	SAE #20
CP20-4-8B	Aluminum Housing	Standard	1 BSP
CP20-4-8B-X1	Aluminum Housing, No Port #1	Omit port 1	1 BSP
CP20-4-S16S	Steel Housing	Standard	SAE #16
CP20-4-S16S-X1	Steel Housing, No Port #1	Omit port 1	SAE #16

SDC20-4 (Standard)
Housing



Cartridge Valves Technical Information
Housings
VME06 (LG)

Housing drawing



P103 934E

Options

Order Code	Description	Style	Ports
VME 06-LG-3B	Aluminum Housing	LG	3/8 BSP
VME 06-LG-6S	Aluminum Housing	LG	SAE #6

VME06 (LG) Housings

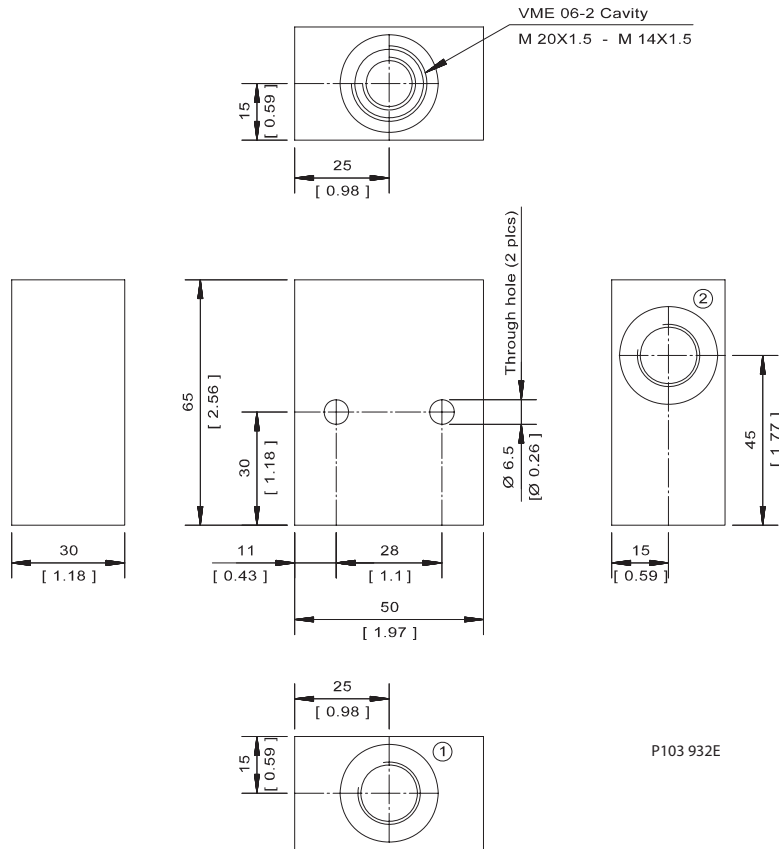


Cartridge Valves Technical Information

Housings

VME06 (DG)

Dimensions



Options

Order Code	Description	Style	Ports
VME 06-DG-3B	Aluminum Housing	DG	3/8 BSP
VME 06-DG-6S	Aluminum Housing	DG	SAE #6

Housings VME06 (DG)

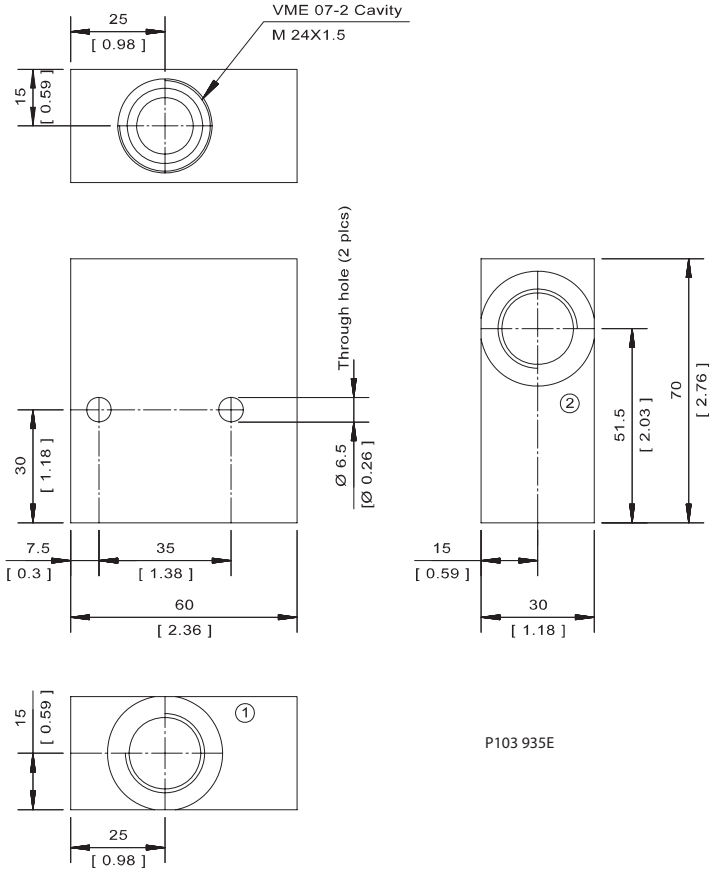


Cartridge Valves Technical Information

Housings

VME07 (DG)

Housing drawing



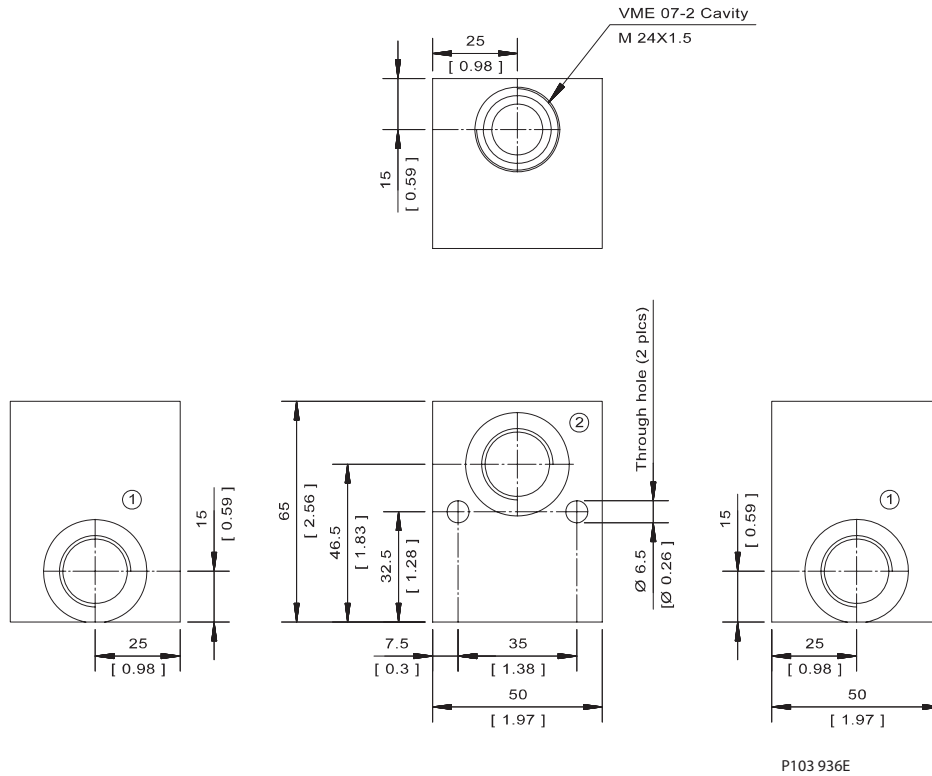
Options

Order Code	Description	Style	Ports
VME 07-DG-4B	Aluminum Housing	DG	1/2 BSP
VME 07-DG-8S	Aluminum Housing	DG	SAE #8

VME07 (DG)
Housings

Cartridge Valves Technical Information
 Housings
 VME07 (LG)

Dimensions



Options

Order Code	Description	Style	Ports
VME 07-LG-4B	Aluminum Housing	LG	1/2 BSP
VME 07-LG-8S	Aluminum Housing	LG	SAE #8

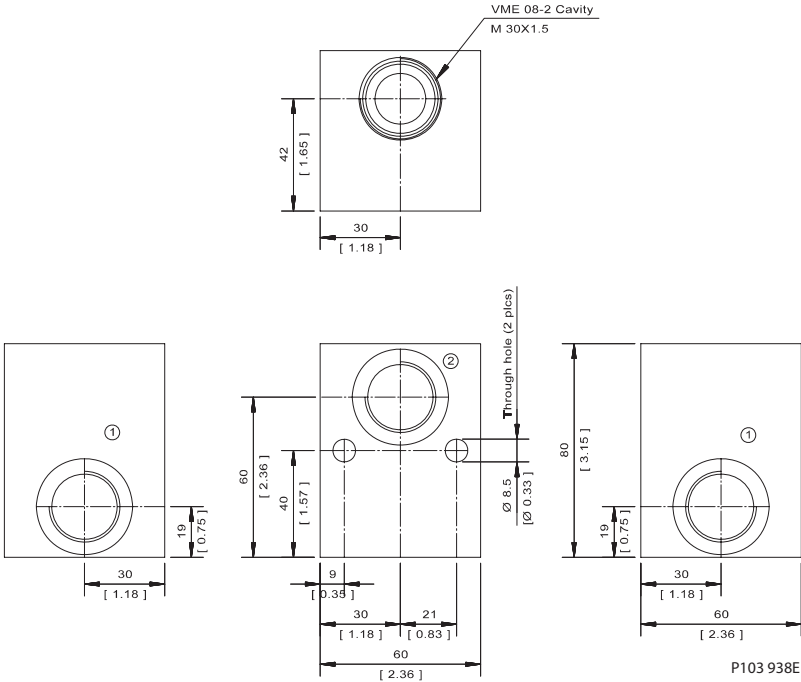


Cartridge Valves Technical Information

Housings

VME08 (LG)

Housing drawing



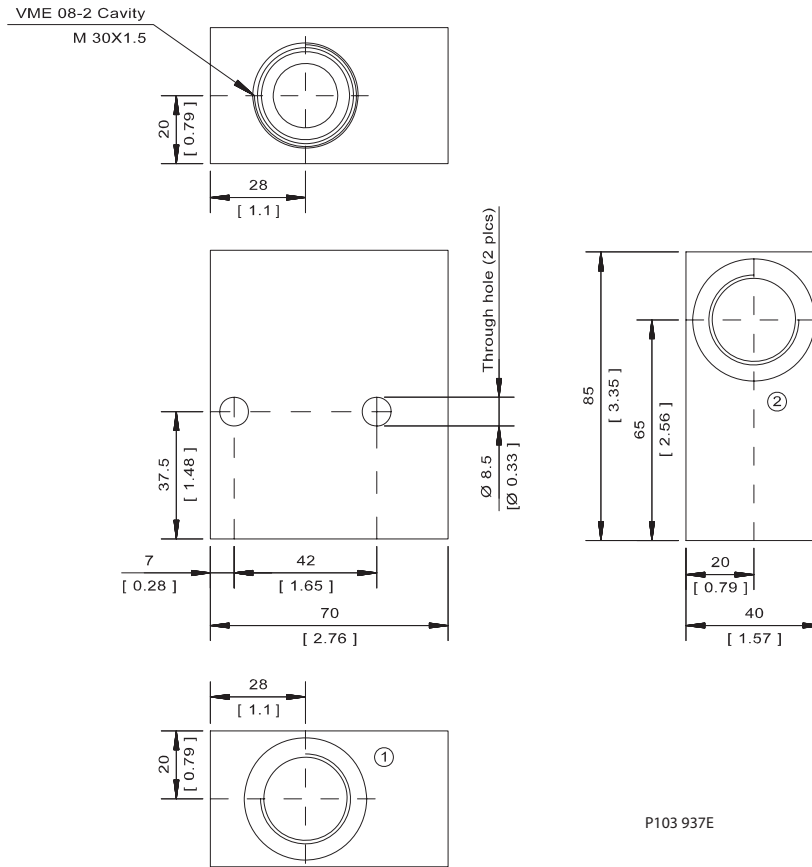
Options

Order Code	Description	Style	Ports
VME 08-LG-12S	Aluminum Housing	LG	SAE #12
VME 08-LG-6B	Aluminum Housing	LG	3/4 BSP

VME08 (LG) Housings

Cartridge Valves Technical Information
 Housings
 VME08 (DG)

Dimensions



Options

Order Code	Description	Style	Ports
VME 08-DG-12S	Aluminum Housing	DG	SAE #12
VME 08-DG-6B	Aluminum Housing	DG	3/4 BSP



Cartridge Valves Technical Information

Housings

Notes



Cartridge Valves Technical Information

Coils

Quick reference



D08	Specifications.....	21.6
	Amp Junior Timer.....	21.6
	Deutsch.....	21.6
	DIN 43650.....	21.7
	Lead wires.....	21.7
	MetriPak 150 Type 1.....	21.7
	Spade.....	21.8
D10	Specifications.....	21.9
	Deutsch.....	21.9
	DIN 43650.....	21.10
	Lead wires.....	21.10
	MetriPak 150 Type 1.....	21.10
	Dual Spade.....	21.11
D14E	Specifications.....	21.12
	Amp Jr.....	21.12
	Deutsch.....	21.12
	DIN 43650.....	21.13
	Lead wires.....	21.13
	Metripak 150, type 1.....	21.13
	MetriPak 150, Type 2.....	21.14
	Dual Spade.....	21.14
D14E(35W)	Specifications.....	21.15
	Amp Jr.....	21.15
	Amp SuperSeal 1.5/MetriPak 150 Type 1.....	21.15
	Deutsch.....	21.16
	DIN 43650.....	21.16
	Lead wires.....	21.16
	M13	Specifications.....
Amp Jr.....		21.17
Amp SuperSeal 1.5/MetriPak 150 Type 1.....		21.18
Deutsch.....		21.18
Deutsch w/diode.....		21.18
ISO 4400 (DIN 43650).....		21.19
Lead wires.....		21.19
Lead wires w/diode.....		21.19
MetriPak 150, Type 2.....		21.20
Spade.....		21.20
Weather pack (female).....		21.20
Weather pack (male).....		21.21
Weather pack (male) w/diode.....		21.21

Coils
Quick reference

M16	Specifications.....	21.22
	Amp Jr.....	21.22
	Amp SuperSeal 1.5/MetriPak 150 Type 1	21.23
	Deutsch.....	21.23
	Deutsch w/diode.....	21.23
	ISO 4400 (DIN 43650)	21.24
	Lead wires	21.24
	Lead wires w/diode	21.24
	MetriPak 150, Type 2.....	21.25
	Spade.....	21.25
	Weather pack (female).....	21.25
	Weather pack (male)	21.26
	Weather pack (male) w/diode.....	21.26
M19P	Specifications.....	21.27
	Deutsch.....	21.27
	ISO 4400 (DIN 43650)	21.27
	Lead wires	21.28
PDCV03	Specifications.....	21.29
	DIN 43650.....	21.29
	Deutsch.....	21.30
	Lead wires	21.30
PDCV05	Specifications.....	21.31
	ISO 4400 (DIN 43650)	21.31
	Duetsch connector on lead wires.....	21.31
	Lead wires	21.32
R13	Specifications.....	21.33
	Amp SuperSeal 1.5/MertiPak 150 Type 1	21.33
	Amp SuperSeal 1.5/MertiPak 150 Type 1 w/diode	21.33
	Deutsch.....	21.34
	Deutsch w/diode.....	21.34
	Lead wires	21.34
	Lead wires w/diode	21.35
	MetriPak 150, type 2	21.35
	MetriPak 150, type 2 w/diode	21.35



Cartridge Valves Technical Information
Coils
Quick reference



R16

Specifications.....	21.36
Amp SuperSeal 1.5/MetriPak 150 Type 1	21.36
Amp SuperSeal 1.5/MetriPak 150 Type 1 w/diode	21.36
Deutsch.....	21.37
Deutsch w/diode.....	21.37
Lead wires	21.37
Lead wires w/diode	21.38
MetriPak 150, type 2.....	21.38
MetriPak 150, type 2 w/diode	21.38

Coils
Quick reference


COIL TERMINATION SPECIFICATIONS

Code	Termination	Specifications
A	DIN 43650	DIN 43650A/ISO 4400 standard electrical connector
AJ	Amp Junior	Integral to coil
AS	Amp SuperSeal 1.5 (also conforms to MetriPak 150 Type 1)	Integral to coil; mating connector is Delphi-Packard Part Number 12052641
C	Conduit	Two 18 AWG wires, 457 mm [18 in] long with 1/2-14 NPT internal thread for conduit
DE	Deutsch	Integral to coil; mating connector is Deutsch IPD (Industrial Products Division) Part Number DT06-2S
DED	Deutsch with diode	Integral to coil; mating connector is Deutsch IPD (Industrial Products Division) Part Number DT06-2S
DN	DIN 43650	DIN 43650A / ISO 4400 standard electrical connector
DP	Dual Post	Two No. 8-32UNC screw terminals 9.5 mm [0.375 in] long
DT04	Deutsch	Integral to coil; mating connector is Deutsch IPD (Industrial Products Division) Part Number DT06-2S
E1	DIN 43650	DIN 43650A / ISO 4400 standard electrical connector
E2	DIN 43650 with diode	DIN 43650A / ISO 4400 standard electrical connector
E3	Amp Junior	Integral to coil
E4	Amp Junior with diode	Integral to coil
E5	DIN 43650 with rectifier	DIN 43650A / ISO 4400 standard electrical connector
E8	Lead wires	Two 18 AWG wires, 457 mm [18 in] long
E9	Lead wires with diode	Two 18 AWG wires, 457 mm [18 in] long
E10	Deutsch (on leads)	On two 18 AWG lead wires, 203 mm [8 in] long with protective braid; mating connector is Deutsch IPD (Industrial Products Division) Part Number DT06-2S
E11	Deutsch (on leads) with diode	On two 18 AWG lead wires, 203 mm [8 in] long with protective braid; mating connector is Deutsch IPD (Industrial Products Division) Part Number DT06-2S

COIL TERMINATION SPECIFICATIONS (continued)

Code	Termination	Specifications
E12	Deutsch	Integral to coil; mating connector is Deutsch IPD (Industrial Products Division) Part Number DT06-2S
E13	Deutsch with diode	Integral to coil; mating connector is Deutsch IPD (Industrial Products Division) Part Number DT06-2S
FL & FL600	Flying leads	Two 18 AWG wires, 600 mm [24 in] long
FLD	Flying leads with diode	Two 18 AWG wires, 600 mm [24 in] long
H	DIN 43650	DIN 43650A / ISO 4400 standard electrical connector
L	Lead Wires	Two 18 AWG wires, 457 mm [18 in] long
M2	Metri-Pak 150 Type 1 (also conforms to Amp SuperSeal 1.5)	Integral to coil; mating connector is Delphi-Packard Part Number 12052641
M3	Metri-Pak 150 Type 2	Integral to coil; mating connector is Delphi-Packard Part Number 12040753
S	Dual Spade	Two 6.35 mm [0.25 in] wide Type 1B spade terminals per SAE J858A
S1	Single Spade	One 6.35 mm [0.25 in] wide Type 1B spade terminal per SAE J858A with internal ground
SP	Dual Spade (M13 & M16 coils)	Two 6.35 mm [0.25 in] wide Type 1B spade terminals per SAE J858A
	Single Post (D08 & D10 coils)	One No. 8-32UNC Screw Terminals 9.5 mm [0.375 in] long with internal ground
WPF	Weatherpack Female	On 150 mm [6 in] lead wires; mating connector is Delphi-Packard Part Number 12010973
WPM	Weatherpack Male	On 150 mm [6 in] lead wires; mating connector is Delphi-Packard Part Number 12015792
WPM D	Weatherpack Male with diode	On 150 mm [6 in] lead wires; mating connector is Delphi-Packard Part Number 12015792

Coils
Application notes

Not all connectors available with all coils. Consult individual coil data sheets for details.

PLUS+1™ COMPLIANT

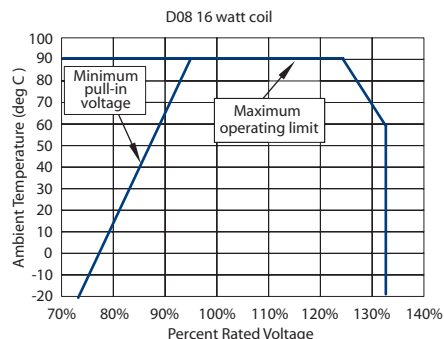
Sauer-Danfoss solenoid valves are PLUS+1™ compliant. PLUS+1 compliance means our coils are directly compatible with the PLUS+1 machine control architecture. Adding solenoid valves to your application using PLUS+1 GUIDE software is as easy as *drag-and-drop*. Software development that used to take months can now be done in just a few hours. For more information on PLUS+1 GUIDE, visit www.sauer-danfoss.com/plus1. The table below details available GUIDE function blocks for controlling Sauer-Danfoss solenoid valves.

GUIDE function blocks

On-off	10106088
On-off-on	10106102
Two-way proportional	10106103
Three-way proportional	10106104

SPECIFICATIONS

- Duty cycle rating: 100%
- Magnet wire insulation: Class H (180C)
- Ambient temperature: -30 to 60 °C [-22 to 140 °F]
- Diodes are available; contact your Sauer-Danfoss representative.
- Environmental protection: IP65
- Input voltage tolerance: ± 10%
- All AC coils are internally rectified



P103 948E

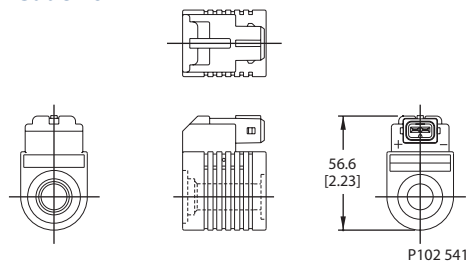
ELECTRICAL SPECIFICATIONS

16 watt coils

Voltage (V)	10 VDC	12 VDC	20 VDC	24 VDC	110 VAC	220 VAC
Resistance (Ohms) @ 20 °C [72 °F]	6.3	9	25	36	900	3600
Current draw (A) at 20 °C [77 °F]	1.6	1.33	0.8	0.67	0.13	0.07
Color	Green	Grey	Blue	Black	Black	Black

TERMINALS

Amp Junior Timer
Code AJ

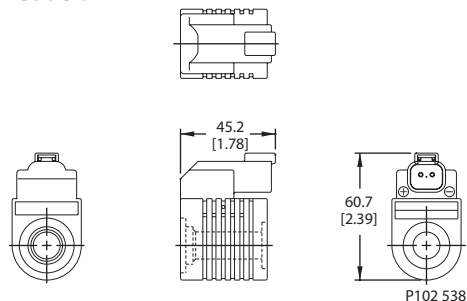


P102 541

Part numbers

Voltage (V)	Power (W)	Part Number
10 VDC	16	D08-16W-10D-AJ
12 VDC	16	D08-16W-12D-AJ
20 VDC	16	D08-16W-20D-AJ
24 VDC	16	D08-16W-24D-AJ

Deutsch
Code DE



P102 538

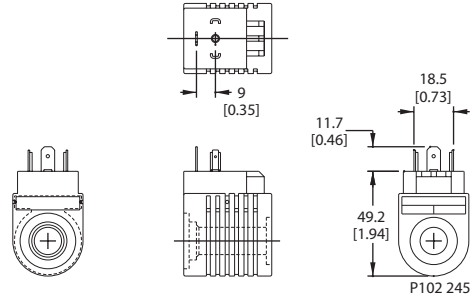
Part numbers

Voltage (V)	Power (W)	Part Number
10 VDC	16	D08-16W-10D-DE
12 VDC	16	D08-16W-12D-DE
20 VDC	16	D08-16W-20D-DE
24 VDC	16	D08-16W-24D-DE

mm [in]

**TERMINALS
 (continued)**

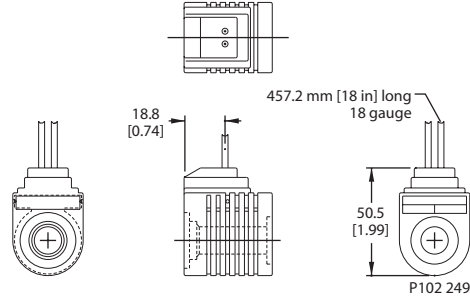
**DIN 43650
 Code H**



Part numbers

Voltage (V)	Power (W)	Part Number
10 VDC	16	D08-16W-10D-H
12 VDC	16	D08-16W-12D-H
20 VDC	16	D08-16W-20D-H
24 VDC	16	D08-16W-24D-H
110 VAC	16	D08-16W-120A-H
220 VAC	16	D08-16W-240A-H

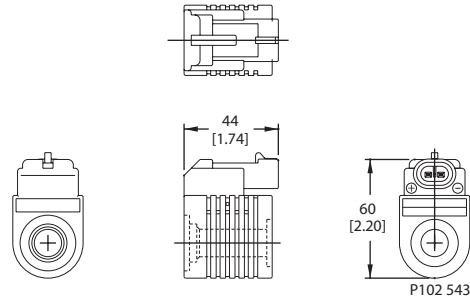
**Lead wires
 Code L**



Part numbers

Voltage (V)	Power (W)	Part Number
10 VDC	16	D08-16W-10D-L
12 VDC	16	D08-16W-12D-L
20 VDC	16	D08-16W-20D-L
24 VDC	16	D08-16W-24D-L

**MetriPak 150 Type 1
 Code M2**



Part numbers

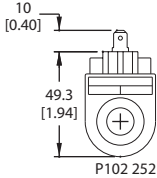
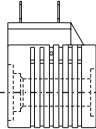
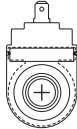
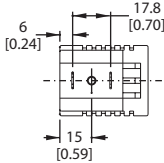
Voltage (V)	Power (W)	Part Number
10 VDC	16	D08-16W-10D-M2
12 VDC	16	D08-16W-12D-M2
20 VDC	16	D08-16W-20D-M2
24 VDC	16	D08-16W-24D-M2

mm [in]

Coils
D08

**TERMINALS
 (continued)**

Spade
 Code S

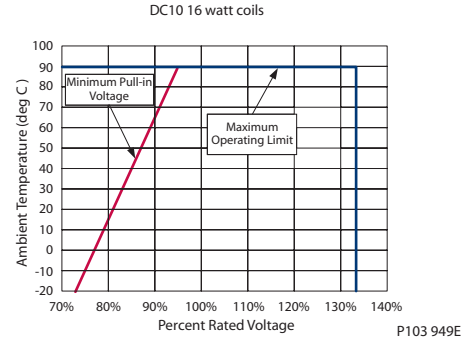


Part numbers

Voltage (V)	Power (W)	Part Number
10 VDC	16	D08-16W-10D-S
12 VDC	16	D08-16W-12D-S
20 VDC	16	D08-16W-20D-S
24 VDC	16	D08-16W-24D-S

SPECIFICATIONS

- Duty cycle rating: 100%
- Magnet wire insulation: Class H (180C)
- Ambient temperature: -30 to 60 °C [-22 to 140 °F]
- Diodes are available; contact your Sauer-Danfoss representative.
- Environmental protection: IP65
- Input voltage tolerance: ± 10%
- All AC coils are internally rectified



ELECTRICAL SPECIFICATIONS

16 watt coils

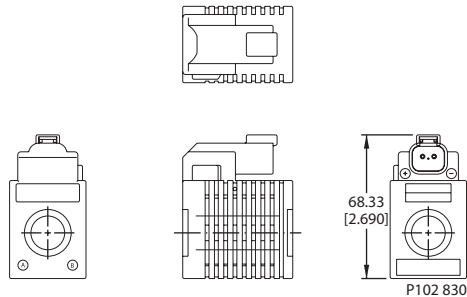
Voltage (V)	10 VDC	12 VDC	20 VDC	24 VDC	110 VAC	220 VAC
Resistance (Ohms) @ 20 °C [72 °F]	6.3	9	25	36	900	3600
Current draw (A) at 25 °C [77 °F]	1.6	1.33	0.8	0.67	0.13	0.07
Color	Green	Grey	Blue	Black	Black	Black

30 watt coils

Voltage (V)	10 VDC	12 VDC	20 VDC	24 VDC	110 VAC	220 VAC
Resistance (Ohms) @ 20 °C [72 °F]	3.3	4.8	13	19	480	1920
Current draw (A) at 20 °C [77 °F]	3	2.5	1.5	1.25	0.25	0.13
Color	Green	Grey	Blue	Black	Black	Black

TERMINALS

Deutsch Code DE



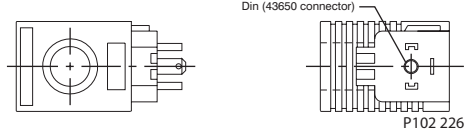
Part numbers

Voltage (V)	Power (W)	Part Number
10 VDC	16	D10-16W-10D-DE
12 VDC	16	D10-16W-12D-DE
20 VDC	16	D10-16W-20D-DE
24 VDC	16	D10-16W-24D-DE
10 VDC	30	D10-30W-10D-DE
12 VDC	30	D10-30W-12D-DE
20 VDC	30	D10-30W-20D-DE
24 VDC	30	D10-30W-24D-DE

mm [in]

**TERMINALS
(continued)**

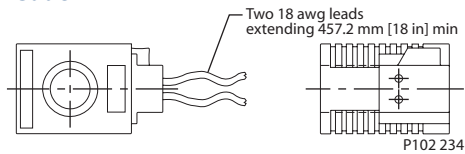
**DIN 43650
Code H**



Part numbers

Voltage (V)	Power (W)	Part Number
10 VDC	16	D10-16W-10D-H
12 VDC	16	D10-16W-12D-H
20 VDC	16	D10-16W-20D-H
24 VDC	16	D10-16W-24D-H
110 VAC	16	D10-16W-120A-H
220 VAC	16	D10-16W-240A-H
10 VDC	30	D10-30W-10D-H
12 VDC	30	D10-30W-12D-H
20 VDC	30	D10-30W-20D-H
24 VDC	30	D10-30W-24D-H
110 VAC	30	D10-30W-120A-H
220 VAC	30	D10-30W-240A-H

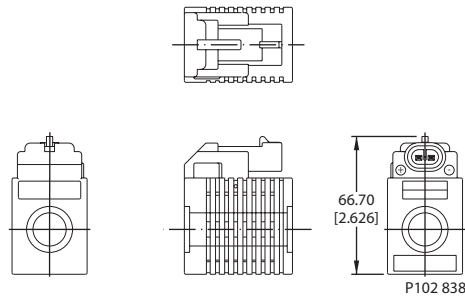
**Lead wires
Code L**



Part numbers

Voltage (V)	Power (W)	Part Number
10 VDC	16	D10-16W-10D-L
12 VDC	16	D10-16W-12D-L
20 VDC	16	D10-16W-20D-L
24 VDC	16	D10-16W-24D-L
10 VDC	30	D10-30W-10D-L
12 VDC	30	D10-30W-12D-L
20 VDC	30	D10-30W-20D-L
24 VDC	30	D10-30W-24D-L

**MetriPak 150 Type 1
Code M2**



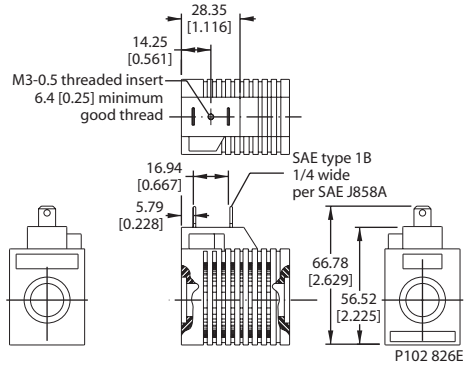
Part numbers

Voltage (V)	Power (W)	Part Number
10 VDC	16	D10-16W-10D-M2
12 VDC	16	D10-16W-12D-M2
20 VDC	16	D10-16W-20D-M2
24 VDC	16	D10-16W-24D-M2
10 VDC	30	D10-30W-10D-M2
12 VDC	30	D10-30W-12D-M2
20 VDC	30	D10-30W-20D-M2
24 VDC	30	D10-30W-24D-M2

mm [in]

**TERMINALS
 (continued)**

**Dual Spade
 Code S**



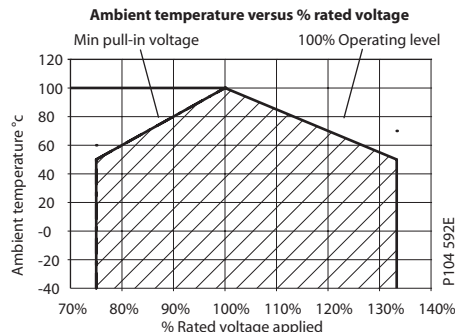
Part numbers

Voltage (V)	Power (W)	Part Number
10 VDC	16	D10-16W-10D-S
12 VDC	16	D10-16W-12D-S
20 VDC	16	D10-16W-20D-S
24 VDC	16	D10-16W-24D-S
10 VDC	30	D10-30W-10D-S
12 VDC	30	D10-30W-12D-S
20 VDC	30	D10-30W-20D-S
24 VDC	30	D10-30W-24D-S

Coils
D10

SPECIFICATIONS

- Duty cycle rating: 100% at 133% of rated voltage and 70°C [158°F]
- Magnet wire insulation: Class H (200°C)
- Ambient temperature: -40 to 70 °C [-40 to 158 °F]
- Diodes are available; contact your Sauer-Danfoss representative.
- Environmental protection: IP69K (AJ, DE, and M2 connectors), IP65 (all other connectors)
- Input voltage tolerance: ± 10%



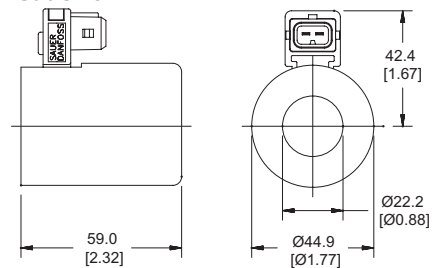
ELECTRICAL SPECIFICATIONS

30 watt coils

Voltage (V)	10 VDC	12 VDC	20 VDC	24 VDC
Resistance (Ohms) @ 20 °C [72 °F]	3.3	4.8	13	19
Current draw (A) at 20 °C [77 °F]	3	2.5	1.5	1.25
Color	Green	Gray	Blue	Yellow

TERMINALS

Amp Jr.
Code AJ

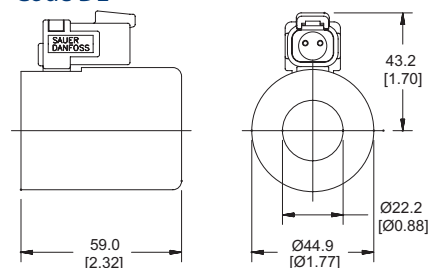


P103 215

Part numbers

Voltage (V)	Power (W)	Part Number
10 VDC	30	D14E-30W-10D-AJ
12 VDC	30	D14E-30W-12D-AJ
20 VDC	30	D14E-30W-20D-AJ
24 VDC	30	D14E-30W-24D-AJ

Deutsch
Code DE



P103 216

Part numbers

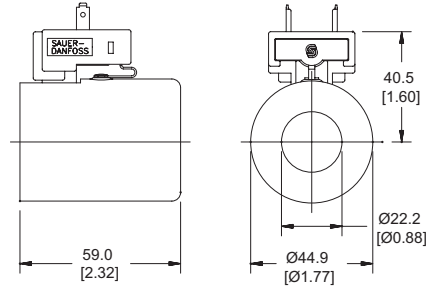
Voltage (V)	Power (W)	Part Number
10 VDC	30	D14E-30W-10D-DE
12 VDC	30	D14E-30W-12D-DE
20 VDC	30	D14E-30W-20D-DE
24 VDC	30	D14E-30W-24D-DE

mm [in]

Coils
D14E

TERMINALS
(continued)

DIN 43650
Code H

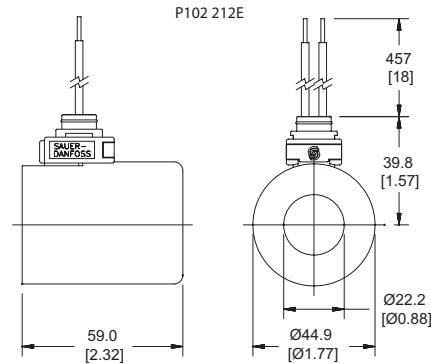


P102 203E

Part numbers

Voltage (V)	Power (W)	Part Number
10 VDC	30	D14E-30W-10D-H
12 VDC	30	D14E-30W-12D-H
20 VDC	30	D14E-30W-20D-H
24 VDC	30	D14E-30W-24D-H

Lead wires
Code L

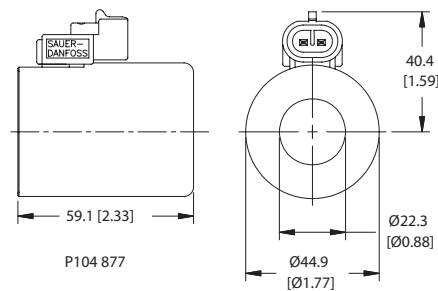


P102 212E

Part numbers

Voltage (V)	Power (W)	Part Number
10 VDC	30	D14E-30W-10D-L
12 VDC	30	D14E-30W-12D-L
20 VDC	30	D14E-30W-20D-L
24 VDC	30	D14E-30W-24D-L

Metripak 150, type 1
Code M2



P104 877

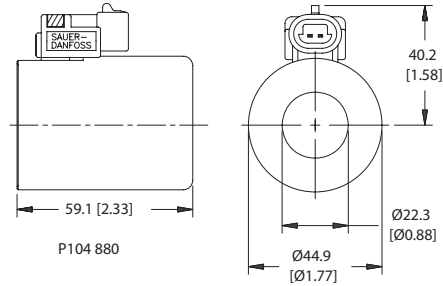
Part numbers

Voltage (V)	Power (W)	Part Number
10 VDC	30	D14E-30W-10D-M2
12 VDC	30	D14E-30W-12D-M2
20 VDC	30	D14E-30W-20D-M2
24 VDC	30	D14E-30W-24D-M2

mm [in]

TERMINALS
(continued)

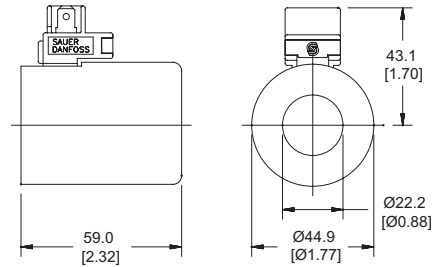
MetriPak 150, Type 2
Code M3



Part numbers

Voltage (V)	Power (W)	Part Number
10 VDC	30	D14E-30W-10D-M3
12 VDC	30	D14E-30W-12D-M3
20 VDC	30	D14E-30W-20D-M3
24 VDC	30	D14E-30W-24D-M3

Dual Spade
Code S



Part numbers

Voltage (V)	Power (W)	Part Number
10 VDC	30	D14E-30W-10D-S
12 VDC	30	D14E-30W-12D-S
20 VDC	30	D14E-30W-20D-S
24 VDC	30	D14E-30W-24D-S

SPECIFICATIONS

- Magnet wire insulation: Class H (200°C)
- Maximum continuous current 1.8 A (at 12 V) 0.9 A (at 24 V)
- Ambient temperature: -40 to 70 °C [-40 to 158 °F]
- Environmental protection: IP69K (AJ, DE, and AS connectors), IP65 (all other connectors)
- Input voltage tolerance: ± 10%

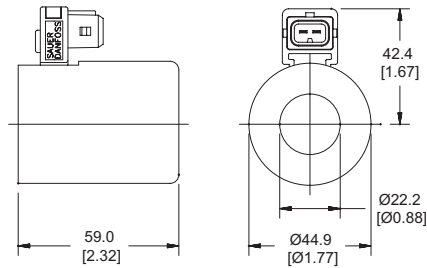
ELECTRICAL SPECIFICATIONS

35 watt coils

Voltage (V)	12 VDC	24 VDC
Resistance (Ohms) @ 20 °C [72 °F]	4.1	17
Current draw (A) at 20 °C [77 °F]	1.8	0.9
Color	Gray	Yellow

TERMINALS

Amp Jr.
Code AJ

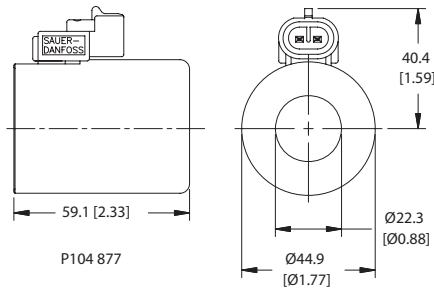


P103 215

Part numbers

Voltage (V)	Power (W)	Part Number
12 VDC	35	D14E-12D-1.8A-AJ
24 VDC	35	D14E-24D-0.9A-AJ

Amp SuperSeal 1.5/MetriPak 150 Type 1
Code AS



P104 877

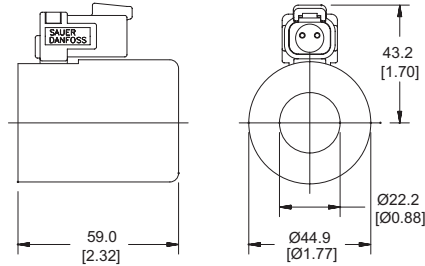
Part numbers

Voltage (V)	Power (W)	Part Number
12 VDC	35	D14E-12D-1.8A-AS
24 VDC	35	D14E-24D-0.9A-AS

mm [in]

TERMINALS
(continued)

Deutsch
Code DE

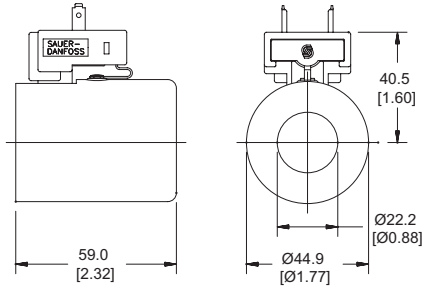


P103 216

Part numbers

Voltage (V)	Power (W)	Part Number
12 VDC	35	D14E-12D-1.8A-DE
24 VDC	35	D14E-24D-0.9A-DE

DIN 43650
Code DN

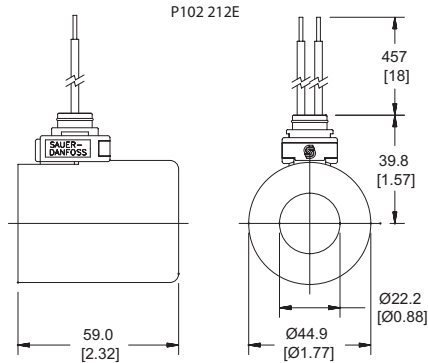


P102 203E

Part numbers

Voltage (V)	Power (W)	Part Number
12 VDC	35	D14E-12D-1.8A-DN
24 VDC	35	D14E-24D-0.9A-DN

Lead wires
Code FL



P102 212E

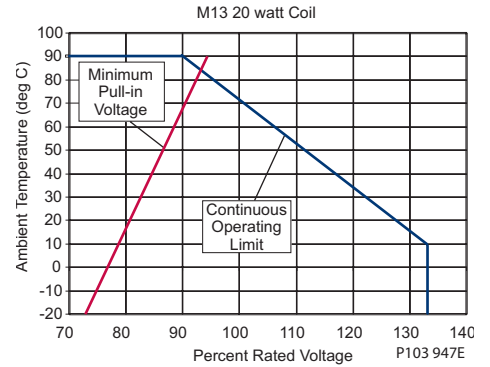
Part numbers

Voltage (V)	Power (W)	Part Number
12 VDC	35	D14E-12D-1.8A-FL
24 VDC	35	D14E-24D-0.9A-FL

mm [in]

SPECIFICATIONS

- Duty cycle: 100% at 115% of rated voltage at 40°C [104°F]
- Magnet wire insulation: Class H (200C)
- Ambient temperature range: -20 to 40 °C [-4 to 104 °F]
- Environmental protection rating: IP67 (AJ, AS, DE, and M3 term.) IP65 (all others)
- Input voltage range: 85% to 115% of rated voltage
- Temperature rise at 115% of rated voltage: 130°C [266°F] above ambient
- Weight: 0.2 kg [0.44 lb]



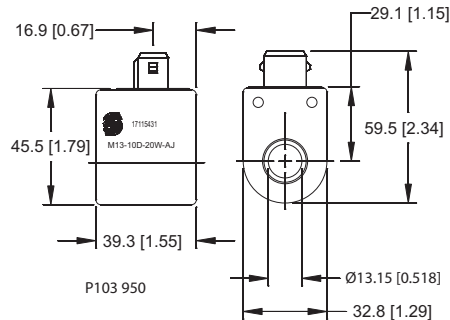
ELECTRICAL SPECIFICATIONS

20 watt coils

Voltage (V)	10 VDC	12 VDC	20 VDC	24 VDC
Resistance (Ohms) @ 20 °C [72 °F]	5	7.2	20	29
Current draw (A) at 20 °C [77 °F]	2	1.67	1	0.83

TERMINALS

Amp Jr.
 Code AJ



Part numbers

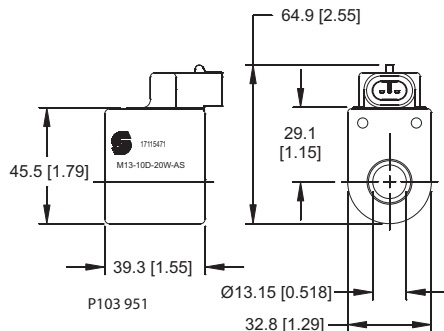
Voltage (V)	Power (W)	Part Number
10 VDC	20	M13-10D-20W-AJ
12 VDC	20	M13-12D-20W-AJ
20 VDC	20	M13-20D-20W-AJ
24 VDC	20	M13-24D-20W-AJ

mm [in]

Coils
M13

**TERMINALS
(continued)**

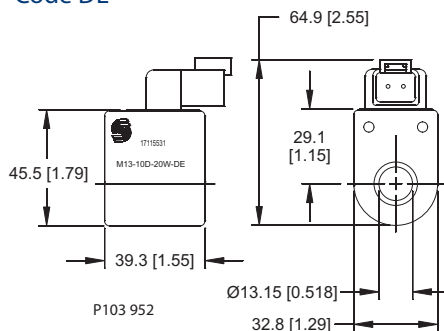
**Amp SuperSeal 1.5/MetriPak 150 Type 1
Code AS**



Part numbers

Voltage (V)	Power (W)	Part Number
10 VDC	20	M13-10D-20W-AS
12 VDC	20	M13-12D-20W-AS
20 VDC	20	M13-20D-20W-AS
24 VDC	20	M13-24D-20W-AS

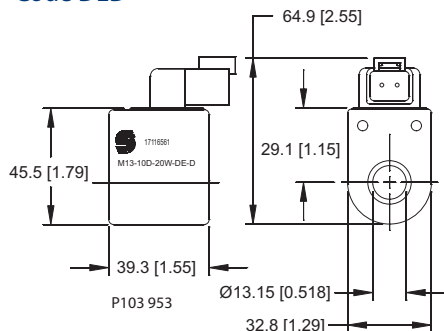
**Deutsch
Code DE**



Part numbers

Voltage (V)	Power (W)	Part Number
10 VDC	20	M13-10D-20W-DE
12 VDC	20	M13-12D-20W-DE
20 VDC	20	M13-20D-20W-DE
24 VDC	20	M13-24D-20W-DE

**Deutsch w/diode
Code DED**



Part numbers

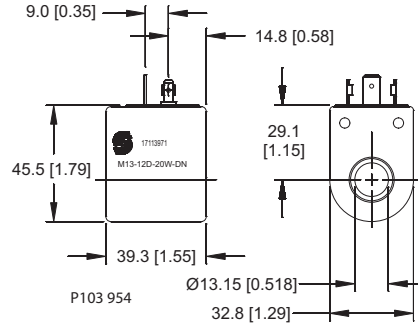
Voltage (V)	Power (W)	Part Number
10 VDC	20	M13-10D-20W-DED
12 VDC	20	M13-12D-20W-DED
20 VDC	20	M13-20D-20W-DED
24 VDC	20	M13-24D-20W-DED

mm [in]

TERMINALS
(continued)

ISO 4400 (DIN 43650)

Code DN



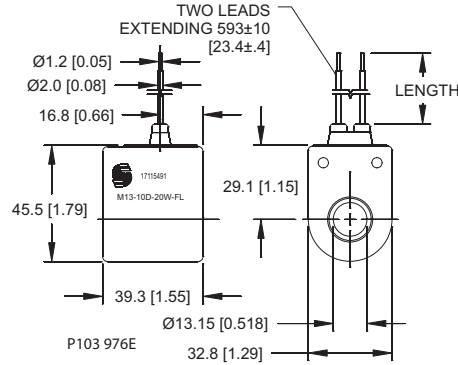
Part numbers

Voltage (V)	Power (W)	Part Number
10 VDC	20	M13-10D-20W-DN
12 VDC	20	M13-12D-20W-DN
20 VDC	20	M13-20D-20W-DN
24 VDC	20	M13-24D-20W-DN

Coils
M13

Lead wires

Code FL

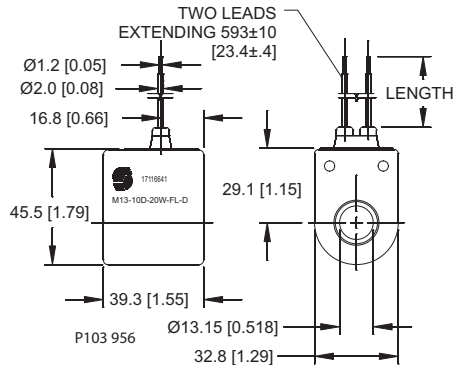


Part numbers

Voltage (V)	Power (W)	Part Number
10 VDC	20	M13-10D-20W-FL
12 VDC	20	M13-12D-20W-FL
20 VDC	20	M13-20D-20W-FL
24 VDC	20	M13-24D-20W-FL

Lead wires w/diode

Code FLD



Part numbers

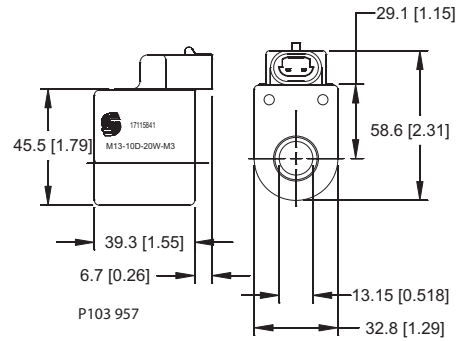
Voltage (V)	Power (W)	Part Number
10 VDC	20	M13-10D-20W-FLD
12 VDC	20	M13-12D-20W-FLD
20 VDC	20	M13-20D-20W-FLD
24 VDC	20	M13-24D-20W-FLD

mm [in]

TERMINALS
 (continued)

Coils
 M13

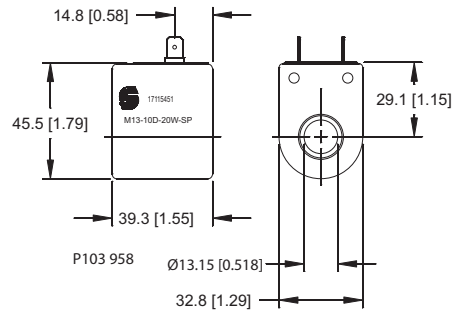
MetriPak 150, Type 2
 Code M3



Part numbers

Voltage (V)	Power (W)	Part Number
10 VDC	20	M13-10D-20W-M3
12 VDC	20	M13-12D-20W-M3
20 VDC	20	M13-20D-20W-M3
24 VDC	20	M13-24D-20W-M3

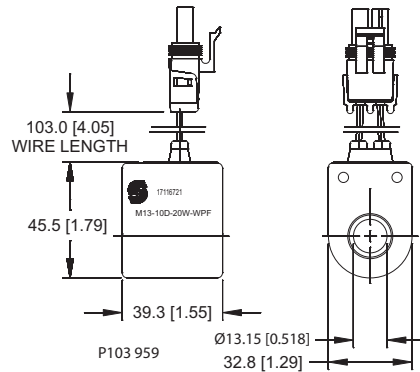
Spade
 Code SP



Part numbers

Voltage (V)	Power (W)	Part Number
10 VDC	20	M13-10D-20W-SP
12 VDC	20	M13-12D-20W-SP
20 VDC	20	M13-20D-20W-SP
24 VDC	20	M13-24D-20W-SP

Weather pack (female)
 Code WPF



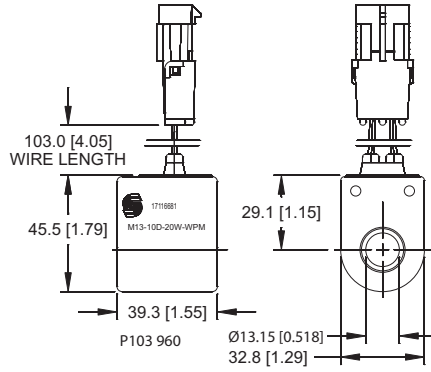
Part numbers

Voltage (V)	Power (W)	Part Number
10 VDC	20	M13-10D-20W-WPF
12 VDC	20	M13-12D-20W-WPF
20 VDC	20	M13-20D-20W-WPF
24 VDC	20	M13-24D-20W-WPF

mm [in]

**TERMINALS
 (continued)**

Weather pack (male)
 Code WPM

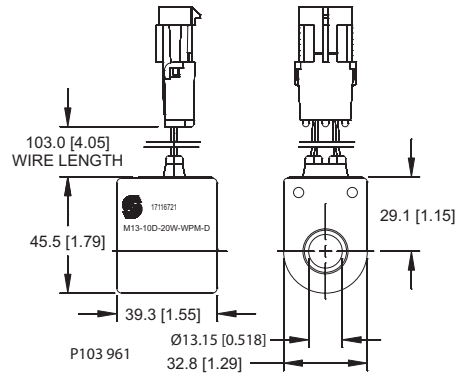


Part numbers

Voltage (V)	Power (W)	Part Number
10 VDC	20	M13-10D-20W-WPM
12 VDC	20	M13-12D-20W-WPM
20 VDC	20	M13-20D-20W-WPM
24 VDC	20	M13-24D-20W-WPM

Coils
M13

Weather pack (male) w/diode
 Code WPMD



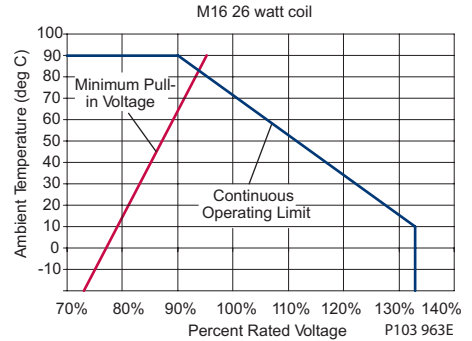
Part numbers

Voltage (V)	Power (W)	Part Number
10 VDC	20	M13-10D-20W-WPMD
12 VDC	20	M13-12D-20W-WPMD
20 VDC	20	M13-20D-20W-WPMD
24 VDC	20	M13-24D-20W-WPMD

mm [in]

SPECIFICATIONS

- Duty cycle: 100% at 115% of rated voltage at 40°C [104°F]
- Magnet wire insulation: Class H (200C)
- Ambient temperature range: -20 to 40 °C [-4 to 104 °F]
- Environmental protection rating: IP67 (AJ, AS, DE, and M3 term.) IP65 (all others)
- Input voltage range: 85% to 115% of rated voltage
- Temperature rise at 115% of rated voltage: 130°C [266°F] above ambient
- Weight: 0.24 kg [0.53 lb]



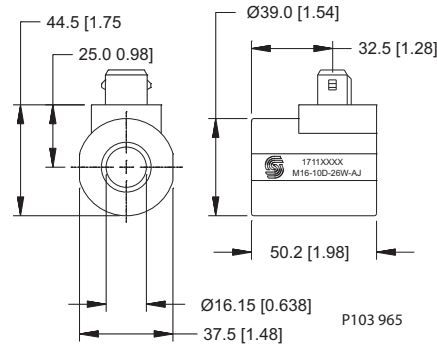
ELECTRICAL SPECIFICATIONS

26 watt coils

Voltage (V)	10 VDC	12 VDC	20 VDC	24 VDC
Resistance (Ohms) @ 20 °C [72 °F]	4	5.6	15	22
Current draw (A) at 20 °C [77 °F]	2.5	2.14	1.33	1.1

TERMINALS

Amp Jr.
Code AJ

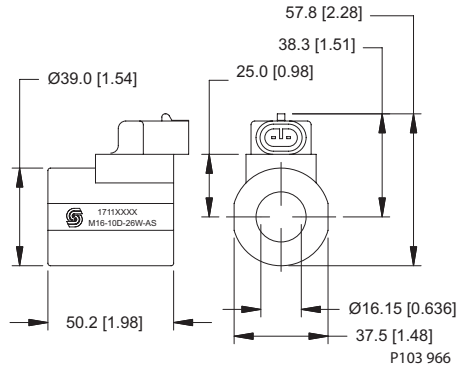


Part numbers

Voltage (V)	Power (W)	Part Number
10 VDC	26	M16-10D-26W-AJ
12 VDC	26	M16-12D-26W-AJ
20 VDC	26	M16-20D-26W-AJ
24 VDC	26	M16-24D-26W-AJ

TERMINALS
(continued)

Amp SuperSeal 1.5/MetriPak 150 Type 1
Code AS

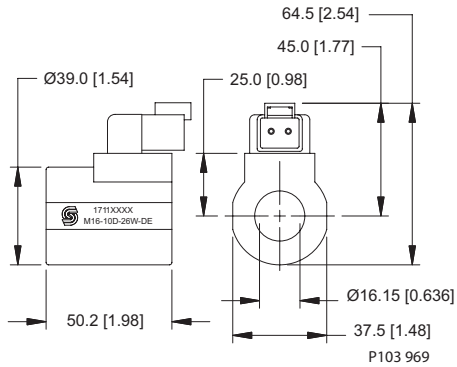


Part numbers

Voltage (V)	Power (W)	Part Number
10 VDC	26	M16-10D-26W-AS
12 VDC	26	M16-12D-26W-AS
20 VDC	26	M16-20D-26W-AS
24 VDC	26	M16-24D-26W-AS

Coils
M16

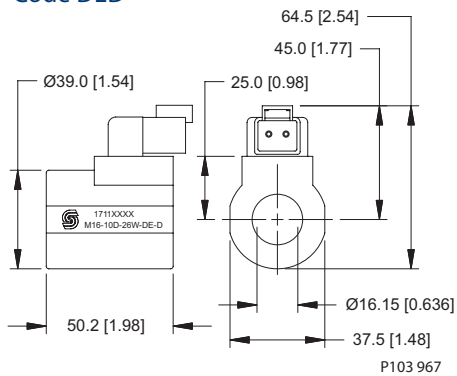
Deutsch
Code DE



Part numbers

Voltage (V)	Power (W)	Part Number
10 VDC	26	M16-10D-26W-DE
12 VDC	26	M16-12D-26W-DE
20 VDC	26	M16-20D-26W-DE
24 VDC	26	M16-24D-26W-DE

Deutsch w/diode
Code DED



Part numbers

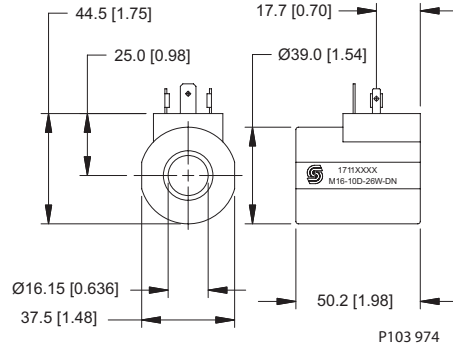
Voltage (V)	Power (W)	Part Number
10 VDC	26	M16-10D-26W-DED
12 VDC	26	M16-12D-26W-DED
20 VDC	26	M16-20D-26W-DED
24 VDC	26	M16-24D-26W-DED

mm [in]

TERMINALS
(continued)

Coils
M16

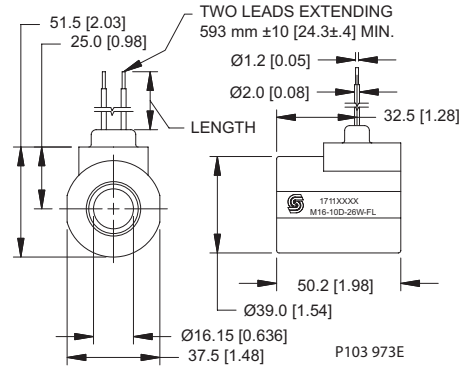
ISO 4400 (DIN 43650)
Code DN



Part numbers

Voltage (V)	Power (W)	Part Number
10 VDC	26	M16-10D-26W-DN
12 VDC	26	M16-12D-26W-DN
20 VDC	26	M16-20D-26W-DN
24 VDC	26	M16-24D-26W-DN

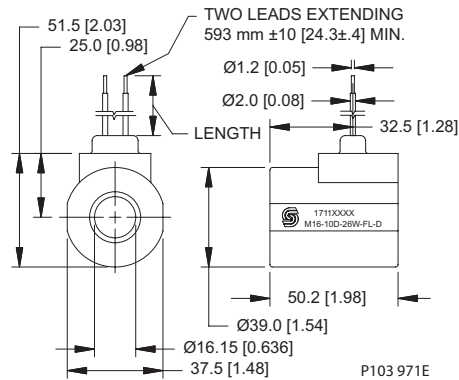
Lead wires
Code FL



Part numbers

Voltage (V)	Power (W)	Part Number
10 VDC	26	M16-10D-26W-FL
12 VDC	26	M16-12D-26W-FL
20 VDC	26	M16-20D-26W-FL
24 VDC	26	M16-24D-26W-FL

Lead wires w/diode
Code FLD



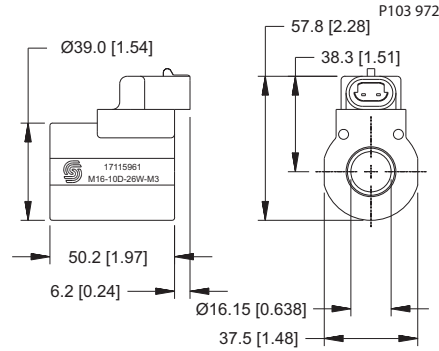
Part numbers

Voltage (V)	Power (W)	Part Number
10 VDC	26	M16-10D-26W-FLD
12 VDC	26	M16-12D-26W-FLD
20 VDC	26	M16-20D-26W-FLD
24 VDC	26	M16-24D-26W-FLD

mm [in]

TERMINALS
(continued)

MetriPak 150, Type 2
Code M3

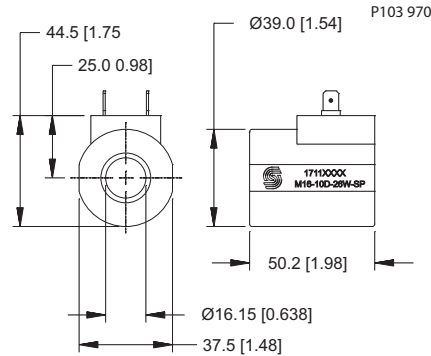


Part numbers

Voltage (V)	Power (W)	Part Number
10 VDC	26	M16-10D-26W-M3
12 VDC	26	M16-12D-26W-M3
20 VDC	26	M16-20D-26W-M3
24 VDC	26	M16-24D-26W-M3

Coils
M16

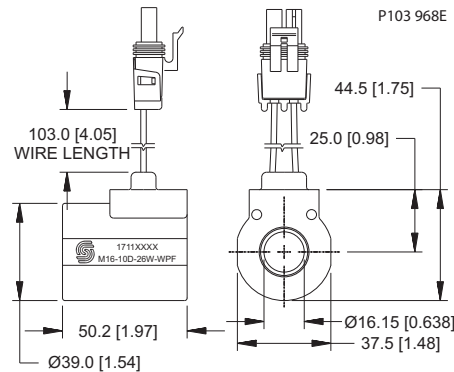
Spade
Code SP



Part numbers

Voltage (V)	Power (W)	Part Number
10 VDC	26	M16-10D-26W-SP
12 VDC	26	M16-12D-26W-SP
20 VDC	26	M16-20D-26W-SP
24 VDC	26	M16-24D-26W-SP

Weather pack (female)
Code WPF



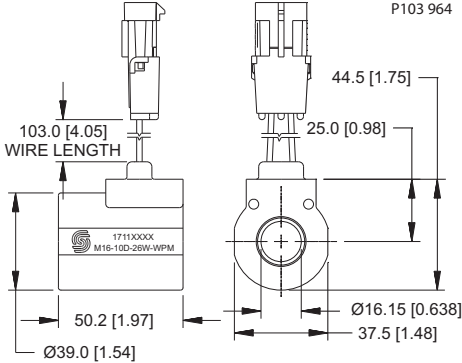
Part numbers

Voltage (V)	Power (W)	Part Number
10 VDC	26	M16-10D-26W-WPF
12 VDC	26	M16-12D-26W-WPF
20 VDC	26	M16-20D-26W-WPF
24 VDC	26	M16-24D-26W-WPF

mm [in]

**TERMINALS
 (continued)**

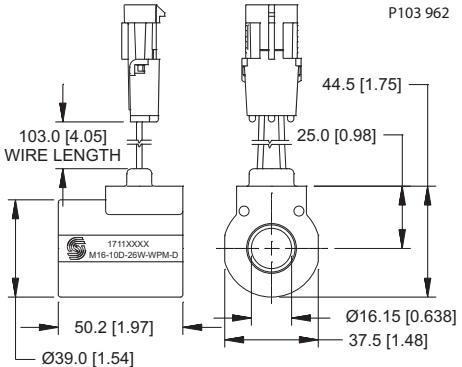
**Weather pack (male)
 Code WPM**



Part numbers

Voltage (V)	Power (W)	Part Number
10 VDC	26	M16-10D-26W-WPM
12 VDC	26	M16-12D-26W-WPM
20 VDC	26	M16-20D-26W-WPM
24 VDC	26	M16-24D-26W-WPM

**Weather pack (male) w/diode
 Code WPMD**



Part numbers

Voltage (V)	Power (W)	Part Number
10 VDC	26	M16-10D-26W-WPMD
12 VDC	26	M16-12D-26W-WPMD
20 VDC	26	M16-20D-26W-WPMD
24 VDC	26	M16-24D-26W-WPMD

mm [in]

SPECIFICATIONS

- Magnet wire insulation: Class H (200C)
- Duty cycle rating: 100%
- Maximum continuous current 1.8 A (at 12 V) 0.9 A (at 24 V)
- Ambient temperature range: -20 to 40 °C [-4 to 104 °F]
- Environmental protection: IP69K (DE connector), IP65 (all other connectors)
- Weight: 0.37 kg [0.82 lb]

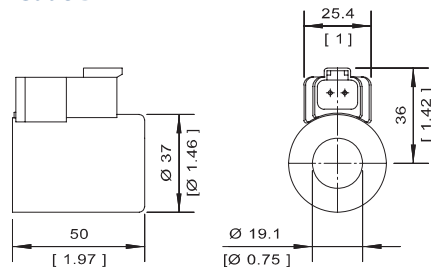
ELECTRICAL SPECIFICATIONS

22 watt coils

Voltage (V)	12 VDC	24 VDC
Resistance (Ohms) @ 20 °C [72 °F]	3.7	16
Current draw (A) at 20 °C [77 °F]	1.8	0.9

TERMINALS

Deutsch
Code DE

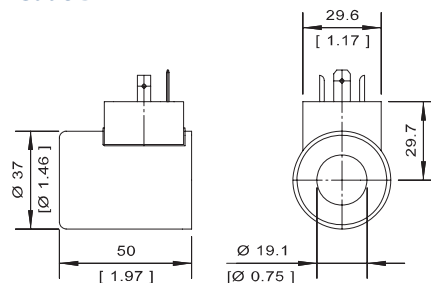


P104 546

Part numbers

Voltage (V)	Power (W)	Part Number
12 VDC	22	M19P-12D-1.8A-DE
24 VDC	22	M19P-24D-0.9A-DE

ISO 4400 (DIN 43650)
Code DN



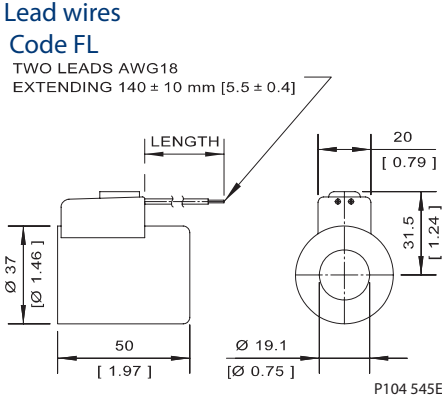
P104 544

Part numbers

Voltage (V)	Power (W)	Part Number
12 VDC	22	M19P-12D-1.8A-DN
24 VDC	22	M19P-24D-0.9A-DN

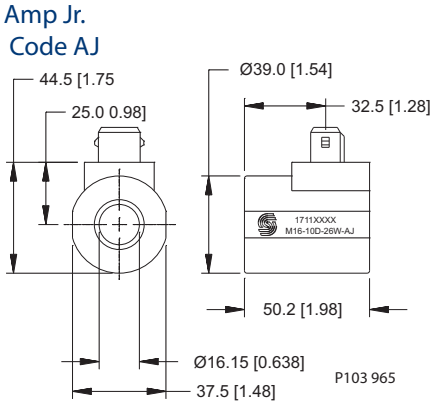
mm [in]

**TERMINALS
 (continued)**



Part numbers

Voltage (V)	Power (W)	Part Number
12 VDC	22	M19P-12D-1.8A-FL
24 VDC	22	M19P-24D-0.9A-FL



Part numbers

Voltage (V)	Power (W)	Part Number
10 VDC	26	M16-10D-26W-AJ
12 VDC	26	M16-12D-26W-AJ
20 VDC	26	M16-20D-26W-AJ
24 VDC	26	M16-24D-26W-AJ

SPECIFICATIONS

- Duty cycle rating: 100%
- Magnet wire insulation: Class H (180C)
- Ambient temperature: -30 to 50 °C [-22 to 122 °F]
- Diodes are available; contact your Sauer-Danfoss representative.
- Environmental protection: IP67 (E12 connector), IP65 (all other connectors)
- Input voltage tolerance: ± 10%

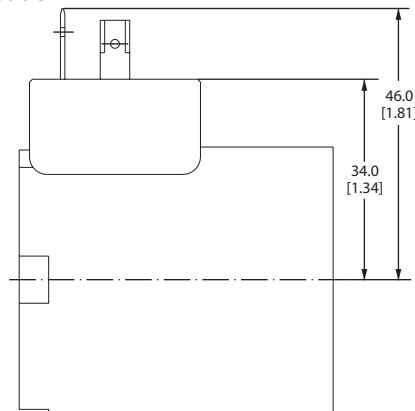
ELECTRICAL SPECIFICATIONS

40 watt coils

Voltage (V)	12 VDC	24 VDC
Resistance (Ohms) @ 20 °C [72 °F]	3.6	14

TERMINALS

DIN 43650
 Code E1



P102 859

Part numbers

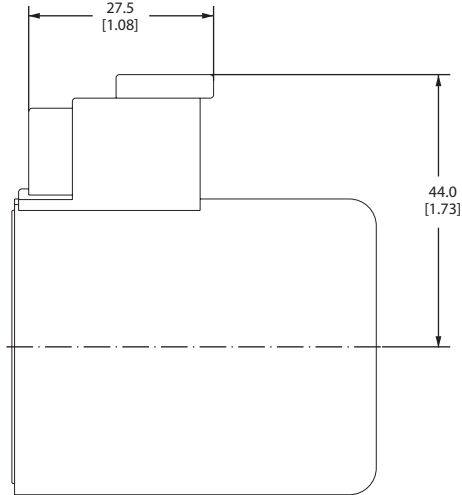
Voltage (V)	Power (W)	Part Number
12 VDC	40	158-8063
24 VDC	40	158-8065

mm [in]

Coils
PDCV03

**TERMINALS
 (continued)**

Deutsch
 Code E12

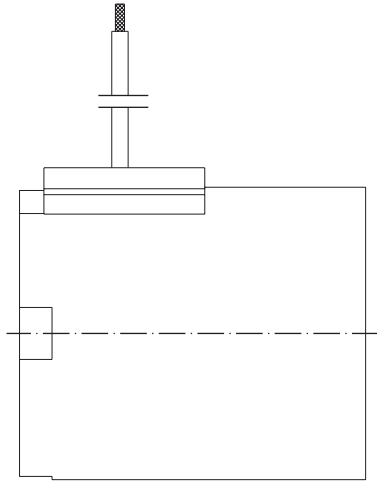


P102 857

Part numbers

Voltage (V)	Power (W)	Part Number
12 VDC	40	158-8067
24 VDC	40	158-8069

Lead wires
 Code E8



P102 860

Part numbers

Voltage (V)	Power (W)	Part Number
12 VDC	40	158-8090
24 VDC	40	158-8091

mm [in]

SPECIFICATIONS

- Duty cycle rating: 100% at 100% of rated current at 50C [122 deg F]
- Magnet wire insulation: Class H (200 C)
- Ambient temperature: -20 to +50 C [-4 to +122 deg F]
- Environmental protection: IP65
- Weight: 0.45kg [1.0 lb]

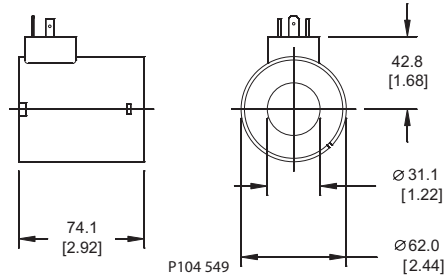
ELECTRICAL SPECIFICATIONS

30 watt coils

Voltage (V)	12 VDC	24 VDC
Resistance (Ohms) @ 20 °C [72 °F]	2.3	13
Current draw (A) at 20 °C [77 °F]	2.5	1.25

TERMINALS

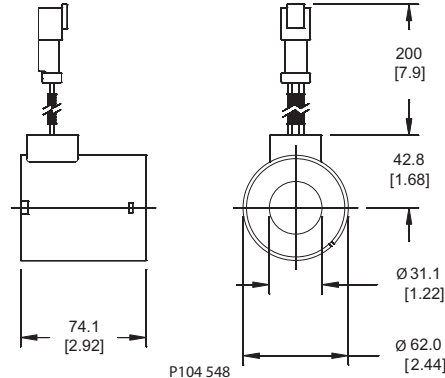
ISO 4400 (DIN 43650)
 Code E1



Part numbers

Voltage (V)	Power (W)	Part Number
12 VDC	30	158-8096
24 VDC	30	158-8097

Duetsch connector on lead wires
 Code E10



Part numbers

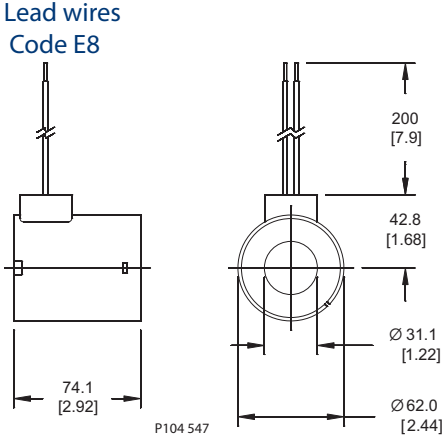
Voltage (V)	Power (W)	Part Number
12 VDC	30	Consult factory
24 VDC	30	Consult factory

mm [in]

Coils PDCV05

Coils
 PDCV05

TERMINALS
 (continued)

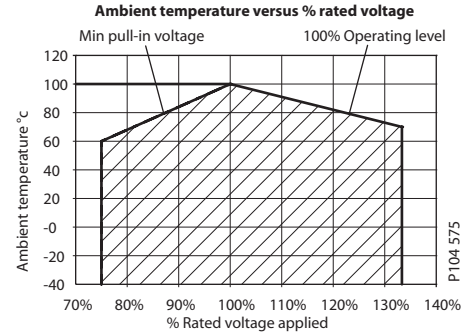


Part numbers

Voltage (V)	Power (W)	Part Number
12 VDC	30	158-8092
24 VDC	30	158-8093

SPECIFICATIONS

- Duty cycle: 100% at 133% of rated voltage and 70°C [158°F]
- Magnet wire insulation: Class H (200°C)
- Ambient temperature range: -40 to +70 °C [-40 to 158 °F]
- Environmental rating: IP69K
- Input voltage range: 75% to 133% of rated voltage
- Weight: 0.22 kg [0.49 lb]



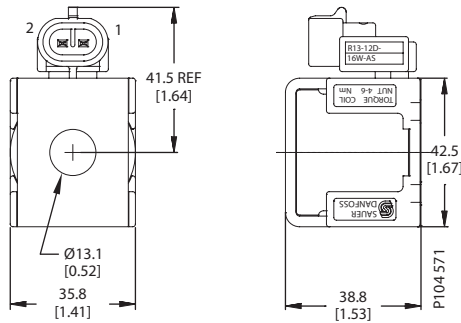
ELECTRICAL SPECIFICATIONS

16 watt coils

Voltage (V)	10 VDC	12 VDC	20 VDC	24 VDC
Resistance (Ohms) @ 20 °C [72 °F]	6.2	9	25	36
Current draw (A) at 20 °C [77 °F]	1.62	1.34	0.81	0.67
Color	Green	Gray	Blue	Yellow

TERMINALS

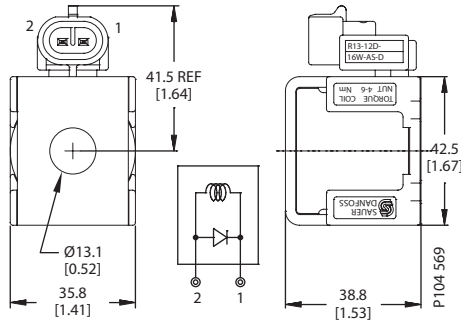
Amp SuperSeal 1.5/MertiPak 150 Type 1 Code AS



Part numbers

Voltage (V)	Power (W)	Part Number
10 VDC	16	R13-10D-16W-AS
12 VDC	16	R13-12D-16W-AS
20 VDC	16	R13-20D-16W-AS
24 VDC	16	R13-24D-16W-AS

Amp SuperSeal 1.5/MertiPak 150 Type 1 w/diode Code ASD



Part numbers

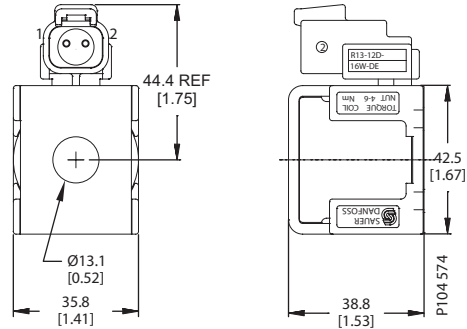
Voltage (V)	Power (W)	Part Number
10 VDC	16	R13-10D-16W-AS-D
12 VDC	16	R13-12D-16W-AS-D
20 VDC	16	R13-20D-16W-AS-D
24 VDC	16	R13-24D-16W-AS-D

mm [in]

TERMINALS
(continued)

Coils
R13

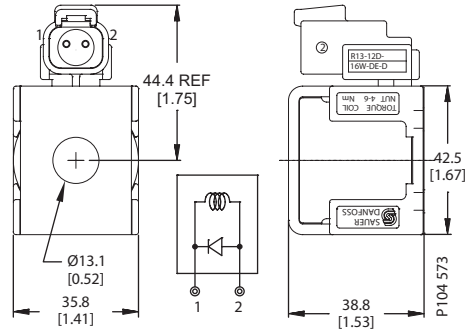
Deutsch
Code DE



Part numbers

Voltage (V)	Power (W)	Part Number
10 VDC	16	R13-10D-16W-DE
12 VDC	16	R13-12D-16W-DE
20 VDC	16	R13-20D-16W-DE
24 VDC	16	R13-24D-16W-DE

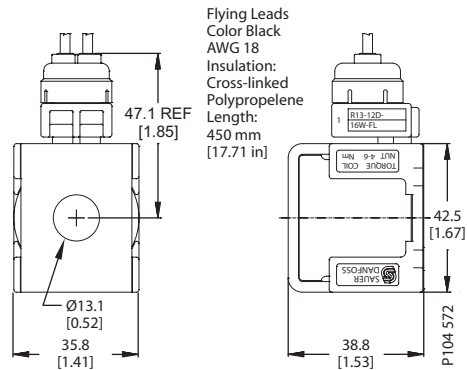
Deutsch w/diode
Code DED



Part numbers

Voltage (V)	Power (W)	Part Number
10 VDC	16	R13-10D-16W-DED
12 VDC	16	R13-12D-16W-DED
20 VDC	16	R13-20D-16W-DED
24 VDC	16	R13-24D-16W-DED

Lead wires
Code FL



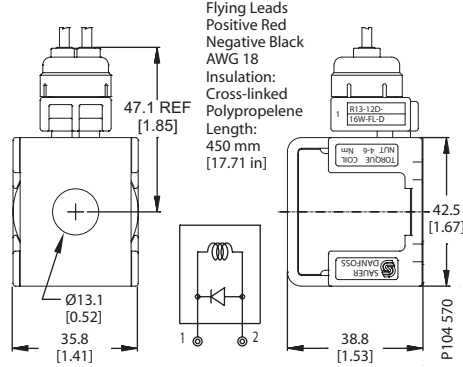
Part numbers

Voltage (V)	Power (W)	Part Number
10 VDC	16	R13-10D-16W-FL
12 VDC	16	R13-12D-16W-FL
20 VDC	16	R13-20D-16W-FL
24 VDC	16	R13-24D-16W-FL

mm [in]

TERMINALS
(continued)

Lead wires w/diode
Code FLD

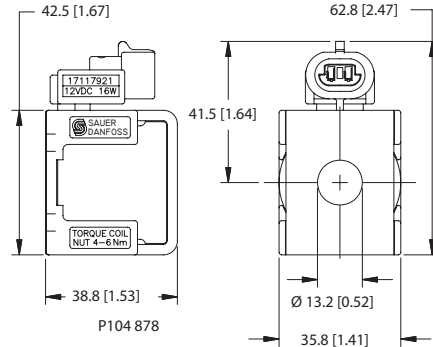


Part numbers

Voltage (V)	Power (W)	Part Number
10 VDC	16	R13-10D-16W-FL-D
12 VDC	16	R13-12D-16W-FL-D
20 VDC	16	R13-20D-16W-FL-D
24 VDC	16	R13-24D-16W-FL-D

Coils
R13

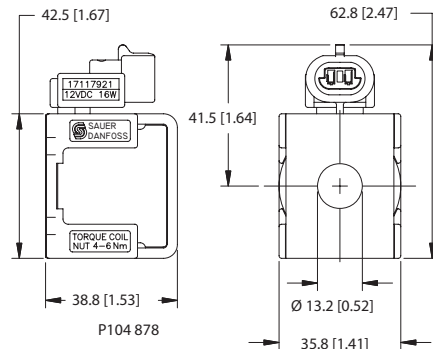
MetriPak 150, type 2
Code M3



Part numbers

Voltage (V)	Power (W)	Part Number
10 VDC	16	R13-10D-16W-M3
12 VDC	16	R13-12D-16W-M3
20 VDC	16	R13-20D-16W-M3
24 VDC	16	R13-24D-16W-M3

MetriPak 150, type 2 w/diode
Code M3D



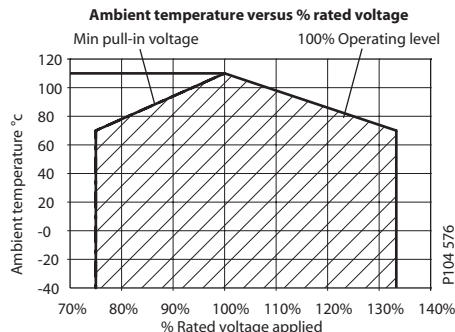
Part numbers

Voltage (V)	Power (W)	Part Number
10 VDC	16	R13-10D-16W-M3D
12 VDC	16	R13-12D-16W-M3D
20 VDC	16	R13-20D-16W-M3D
24 VDC	16	R13-24D-16W-M3D

mm [in]

SPECIFICATIONS

- Duty cycle: 100% at 133% of rated voltage and 70°C [158°F]
- Magnet wire insulation: Class H (200°C)
- Ambient temperature range: -40 to +70 °C [-40 to 158 °F]
- Environmental rating: IP69K
- Input voltage range: 75% to 133% of rated voltage
- Weight: 0.34 kg [0.75 lb]



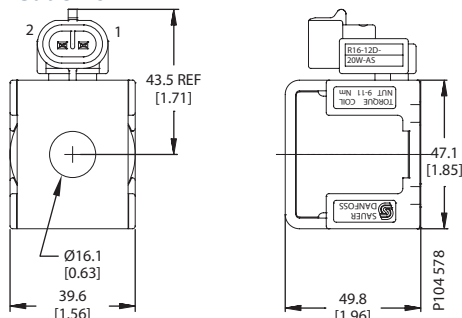
ELECTRICAL SPECIFICATIONS

20 watt coils

Voltage (V)	10 VDC	12 VDC	20 VDC	24 VDC
Resistance (Ohms) @ 20 °C [72 °F]	4.8	6.9	20	28
Current draw (A) at 20 °C [77 °F]	2.08	1.74	1.01	0.85
Color	Green	Gray	Blue	Yellow

TERMINALS

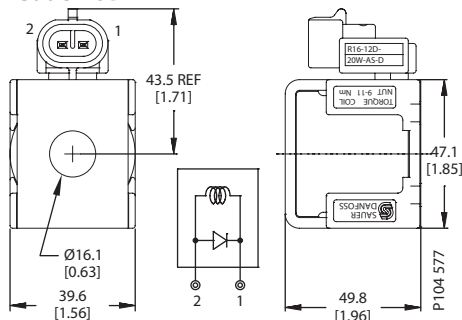
Amp SuperSeal 1.5/MetriPak 150 Type 1 Code AS



Part numbers

Voltage (V)	Power (W)	Part Number
10 VDC	20	R16-10D-20W-AS
12 VDC	20	R16-12D-20W-AS
20 VDC	20	R16-20D-20W-AS
24 VDC	20	R16-24D-20W-AS

Amp SuperSeal 1.5/MetriPak 150 Type 1 w/diode Code ASD



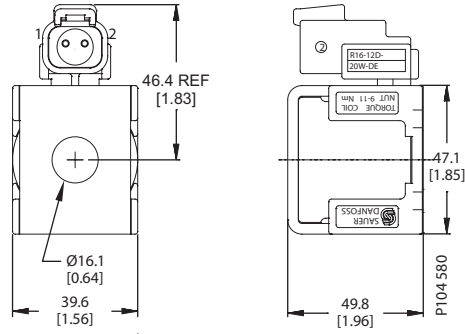
Part numbers

Voltage (V)	Power (W)	Part Number
10 VDC	20	R16-10D-20W-AS-D
12 VDC	20	R16-12D-20W-AS-D
20 VDC	20	R16-20D-20W-AS-D
24 VDC	20	R16-24D-20W-AS-D

mm [in]

TERMINALS
(continued)

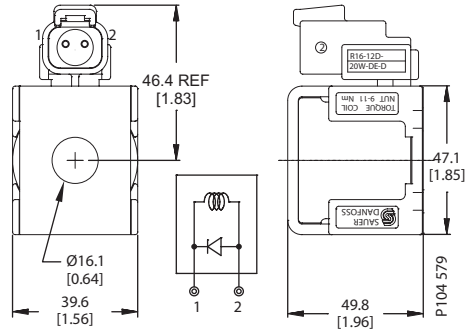
Deutsch
Code DE



Part numbers

Voltage (V)	Power (W)	Part Number
10 VDC	20	R16-10D-20W-DE
12 VDC	20	R16-12D-20W-DE
20 VDC	20	R16-20D-20W-DE
24 VDC	20	R16-24D-20W-DE

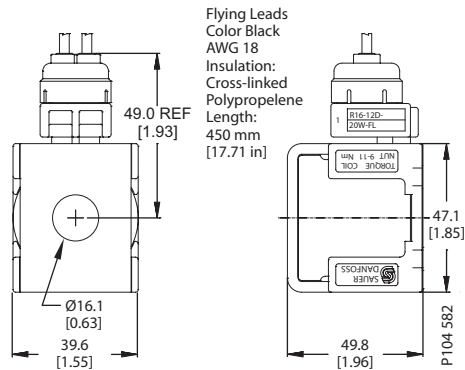
Deutsch w/diode
Code DED



Part numbers

Voltage (V)	Power (W)	Part Number
10 VDC	20	R16-10D-20W-DED
12 VDC	20	R16-12D-20W-DED
20 VDC	20	R16-20D-20W-DED
24 VDC	20	R16-24D-20W-DED

Lead wires
Code FL



Part numbers

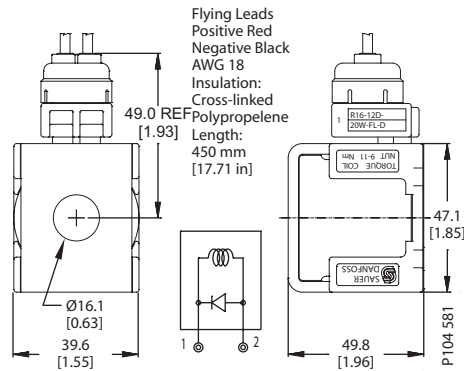
Voltage (V)	Power (W)	Part Number
10 VDC	20	R16-10D-20W-FL
12 VDC	20	R16-12D-20W-FL
20 VDC	20	R16-20D-20W-FL
24 VDC	20	R16-24D-20W-FL

mm [in]

Coils
R16

TERMINALS
(continued)

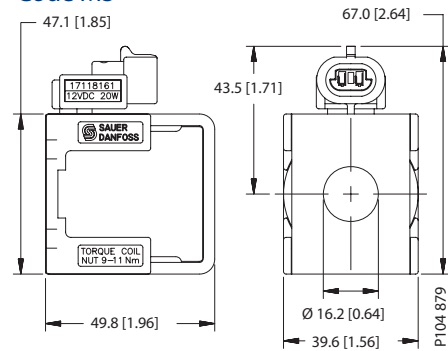
Lead wires w/diode
Code FLD



Part numbers

Voltage (V)	Power (W)	Part Number
10 VDC	20	R16-10D-20W-FL-D
12 VDC	20	R16-12D-20W-FL-D
20 VDC	20	R16-20D-20W-FL-D
24 VDC	20	R16-24D-20W-FL-D

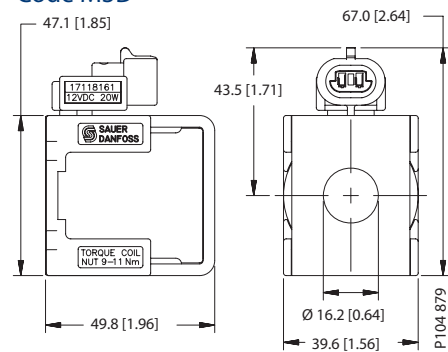
MetriPak 150, type 2
Code M3



Part numbers

Voltage (V)	Power (W)	Part Number
10 VDC	20	R16-10D-20W-M3
12 VDC	20	R16-12D-20W-M3
20 VDC	20	R16-20D-20W-M3
24 VDC	20	R16-24D-20W-M3

MetriPak 150, type 2 w/diode
Code M3D



Part numbers

Voltage (V)	Power (W)	Part Number
10 VDC	20	R16-10D-20W-M3-D
12 VDC	20	R16-12D-20W-M3-D
20 VDC	20	R16-20D-20W-M3-D
24 VDC	20	R16-24D-20W-M3-D

mm [in]