

Data Sheet

PLUS+1[®] HMI Peripherals

HMR CAN Rotary Input Device

PLUS+1

Mobile Machine Management

Danfoss HMI Peripherals are an expansion of the PLUS+1[®] family of mobile machine management products.

The HMR CAN Rotary Input Device brings screen navigation closer to the operator, allowing “blind operation” and minimizing the need to reach for buttons/dials/touch-screen on the display during operation. The back-lit buttons can be used as hot keys to quickly navigate to a screen or used for machine functions, while the indicator bars on each button provide optical feedback to the operator.

Navigation graphics



Modern, Ergonomic and Rugged Design

The HMR has been optimized for ergonomic, five finger control. The seven large buttons are available with standard icons, or customizable to meet application needs. Each button features RGB LEDs for backlight and light bars that are controllable via CAN messaging, with adjustable light intensity. The rotary knob encompasses an eighth push button and includes RGB LED lighting at the base.

Number graphics



Modern Industrial Design

The HMR features robust mechanical, electrical, and Ingress Protection specifications that meet the demands of mobile machine operation. It is suitable for installation in open and enclosed cabs.

Features

- Seven large configurable push buttons
- Hall effect rotary dial, with 32 detents/revolution and additional push button inside
- Back-lit buttons with standard or customizable icons
- All LEDs are RGB: Buttons Backlights, Indicator Bar and Rotary Backlight
- PLUS+1[®] GUIDE configurable
- CAN J1939
- Rugged IP66 and IP67 ratings
- Integrated DEUTSCH connector
- CE compliant, E1 E-Mark (pending) and ROHS compliant
- Optional hand-rest (future development or customer-created for application needs)
- Button and Rotary Life: 1 Million Cycles

Comprehensive technical literature is online at www.danfoss.com

HMR with DM430E, a typical application



Specifications

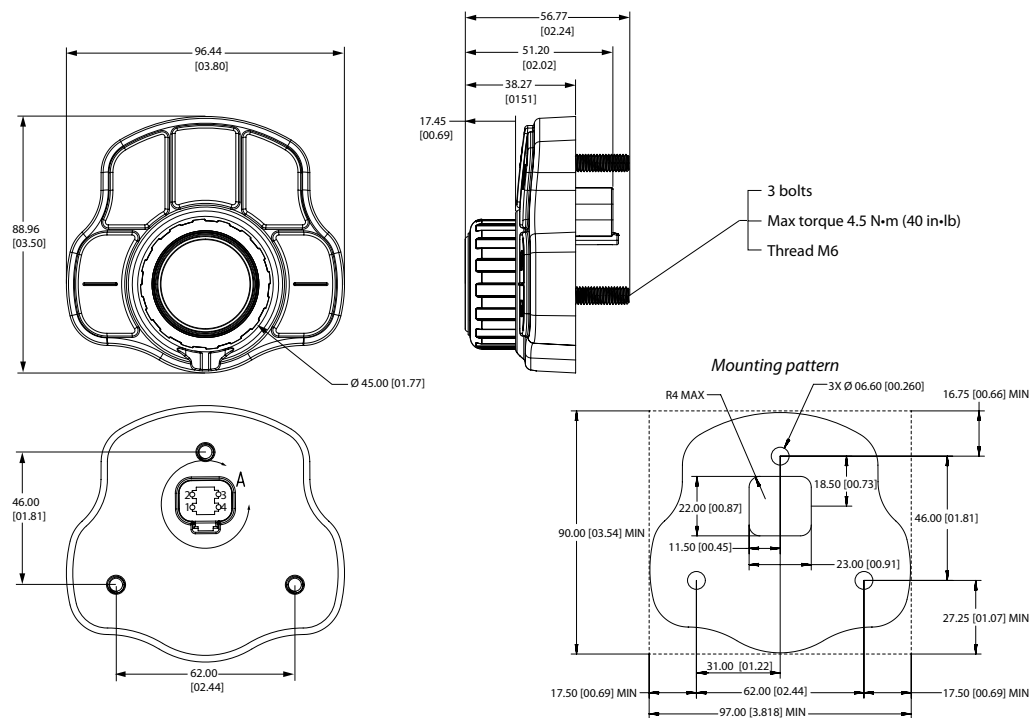
Characteristics

Processor	ARM Cortex M3, 32 bit, 120 MHz
RAM	64 kB
EEPROM	32 kB
Supply voltage	9 to 36 V _{DC}
Connector	DEUTSCH DT-4
IP rating (with mating connector attached)	IP66 and IP67
Operating temperature	-40°C to +85°C [-40°F to 185°F]
Storage temperature	-40°C to +85°C [-40°F to 185°F]
Weight	0.159 kg [0.351 lb]
Vibration/Shock	IEC 60068-2-64 (7.67g) /2-27 (50g)
EMI/RFI rating	100 V/M
Humidity	IEC 60068-2-78, 60068-2-30
Transients	ISO 7637/1, 2, 3
Button Cycle Life	1 Million Cycles
Rotary Dial Cycle Life	1 Million Cycles

HMR CAN Rotary Input Device

Dimensions

mm [in]



DEUTSCH DT04-4 pin connector



Pin	Controller function
1	Power ground -
2	Power supply +
3	CAN Hi
4	CAN Lo



Model variants

Part number	Order code	Description
11217428	HMR-111-00-1-0-0-0-0	HMR, No Graphics, LED Indicators
11202900	HMR-111-00-1-0-1-0-0	HMR, Number Graphics, LED Indicators
11202899	HMR-111-00-1-0-2-0-0	HMR, Navigation Graphics, LED Indicators
11217427	HMR-111-00-1-1-1-0-0	HMR, Number Graphics, LED Indicators, Danfoss Logo
11217426	HMR-111-00-1-1-2-0-0	HMR, Navigation Graphics, LED Indicators, Danfoss Logo

Model code

A			B			C	D	E	F	G	H
H	M	R									

Model code key

A—Model name	Description
HMR	HMR CAN Rotary Input Device, PLUS+1 [®] HMI Peripherals

B—LED lights	Description
111	Indicator bar, back-light, and knob LEDs (RGB)

C—PCBA / Special features	Description
00	HMR, version 0

D—Rotary knob configuration	Description
1	Standard ring-style knob

E—Knob logo	Description
0	No logo
1	Danfoss logo
2	Generic Your Logo Here logo
9	Custom logo

F—Button graphic configuration	Description
0	No graphics (blank)
1	Number graphics
2	Navigation graphics
8	ISO graphics
9	Custom graphics

G—Special features (software)	Description
0	No special software features
9	Custom configuration file

H—Hand-rest option	Description
0	No hand-rest
9	Custom hand-rest

Related products

4 pin mating connector	Part number
DEUTSCH 4 PIN Connector Kit	11028348

Danfoss can accept no responsibility for possible errors in catalogues, brochures and other printed material. Danfoss reserves the right to alter its products without notice. This also applies to products already on order provided that such alterations can be made without subsequent changes being necessary in specifications already agreed. All trademarks in this material are property of the respective companies. Danfoss and the Danfoss logotype are trademarks of Danfoss A/S. All rights reserved.