

Data Sheet

Color Camera

CCC 102

When connected to a DP600 series graphical display terminal, the CCC 102 Color Camera provides clear and precise video monitoring for your mobile applications.

- Compact design- fits easily in small spaces
- Shockproof, vibration resistant and corrosion resistant camera housing
- Chemically hardened glass resists breakage, scratches and damage
- Auto-activated heated lens prevents frost and fogging

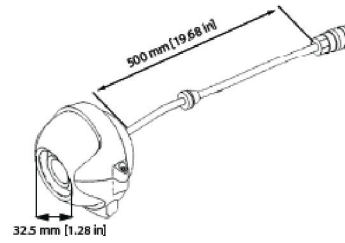
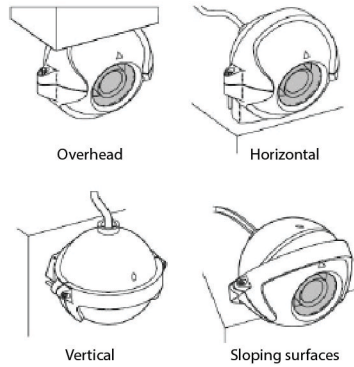
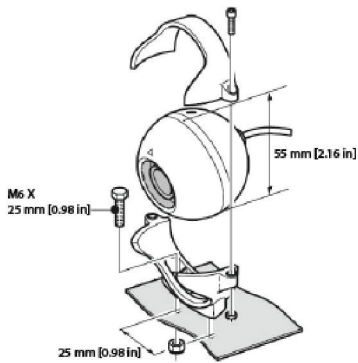


Features

Technical Data

| | | |
|-------------------------|-----------------------|---|
| Camera/Video | Recording Element | Color ¼ inch solid state CCD (Charge Coupled Device) |
| | Pixels | 542•586 (H•W) |
| | TV System Type | PAL video standard |
| Lens/Glass | Lens Type | 2.1 mm [0.08 in], fixed focal length; minimum object distance: 0.1 m [3.93 in] |
| | Lens Glass | Chemically hardened and tempered float glass |
| | Field of Vision | 102° width field of vision; max mounting bracket angle: ± 95° horizontal, ± 71° vertical |
| | Light Sensitivity | 0.5 lux (at f1.2, 5600k) |
| Housing/Hardware | Housing | Gas filled anodized black aluminum; UV resistant; light fastness: >8; DIN 50021 salt spray tested; waterproof to 25 m [82.02 ft]; able to withstand high-pressure cleaning (according to SAE J1455 & IP69 rating) |
| | Extension Cable | 11 m [36.08 ft.] 75 Ohm cable with 4 pin female connector; cable weight: 1.22 kg [2.69 lb] |
| | Shock & Vibration | 15 g rms (with bracket attached) post-thermal cycle 24–2000 Hz random |
| | Weight | 230 g [8.11 oz] (with bracket); 300 g [10.58 oz] total shipping weight |
| Power/Temp | Power Input | 11.1–16.1 V DC; camera will not function below 10 V DC; extreme voltage protection to 28 V DC |
| | Power Consumption | Heating off: 100 mA; heating on: 250 mA (heating activated at <15° C [59° F]) |
| | Connectors | 0.5m cable with 4–pin male connector (camera power input and video output) IP69 rated connector |
| | Operating temperature | –40° C – 75° C [–40° F – 167° F] |

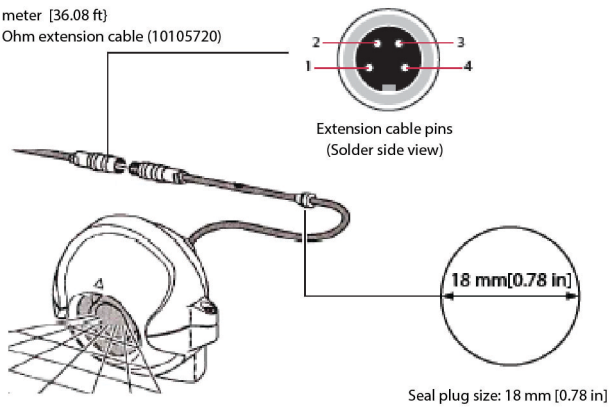
Installation and Mounting Information



Pin Breakout

11 meter [36.08 ft]

75 Ohm extension cable (10105720)



10105720 Extension Cable Specifications

| Item | Description |
|-------------------|-------------------------------|
| Wire gauge | 5 × 0.25 mm ² |
| Composition | 14 × 0.15 Cu |
| Resistance | 75 Ω |
| Insulation | PVC |
| Temperature range | -5 °C – 70 °C [23 °F– 158 °F] |

Ordering Information

CCC102 Color Camera and related accessories

| | |
|--------------------------------------|----------|
| CCC102 Camera | 10100831 |
| CCC102 Extension cable (11 m) | 10105720 |
| Mating Binder connector | 10105940 |

Camera Connector Cable Pin Breakout

| Pin Number | Wire Color | Description |
|------------|----------------|------------------|
| 1 | Coaxial core | PAL video signal |
| 2 | Coaxial screen | Video ground |
| 3 | Red | 12V DC feed |
| 4 | Black | Ground feed |

This camera should only be used as a visual aid and never as a stand-alone safety device. Danfoss assumes no liability for damages caused by misinterpretation, defects or improper functioning.

10105720 Extension Cable Wiring Specification

Cable Color Coding

| Item | Description |
|------|-------------|
| 1 | white |
| 2 | brown |
| 3 | black |
| 4 | blue |
| 5 | grey |